



LSIS Electric Products

ACB / MCCB / MCB / MC&TOR / Mini-MS / MMS / EMPR

Susol series

- 85, 100 and 130kA short circuit current with instantaneous at 508V
- High functional digital trip relays
- UL approved



Molded Case Circuit Breakers

Susol series

- 2, 3 pole series up to 1200AF
- UL approved

Miniature circuit breakers

- UL 489 R-Series
- UL 1077 R-Series



Metasol series

- 3 and 4 pole series up to 2100AF Mini-contactors available
- AC/DC common use coil from 150AF to 800AF
- Thermal (Bimetallic) and electronic type overload relays are available
- UL approved

Mini contactors

Manual motor starters



Electronic motor protection relays (Electronic type overload relays)

- Various connection & mount
- Reliability by real-time data processing and high precision.
- Wide current setting range & Various protection functions
- Inverse or definite time mode
- Display the causes of the fault by LED
- Ampere meter, Load rate Display type
- Standard, Ground fault and short circuit protection type
- Unit or Extension in one body by cable option
- CE marked and UL approved type

Vacuum Circuit Breakers

Susol series



Air circuit breakers

Ratings for UL Listed/ANSI Certified Susol UA Circuit Breakers



TYPE				
AF				
Rated current (In max)	(A)			at 40°C
Rated current	(A)			at 40°C
Rated Maximum Voltage	(V)			
Frequency	(Hz)			
Number of poles	(P)			
Type of Trip relay (Electronic trip device)				
Rated short circuit current (Sym.)	(kA)	With instantaneous	AC	635V
				508V
UL 1066				254V
ANSI C37.13		Without instantaneous	AC	635V
				508V
				254V
Rated short Time current	(kA)			
Operating time	(t)	(ms)	Maximum total breaking time	
			Maximum closing time	
Life cycle	ACB	(time)	Mechanical	Without maintenance
				With maintenance
			Electrical	Without maintenance
				With maintenance
Weight	lb (kg)	Drawout type	Main Body	3P
			with Cradle	4P
			Only Cradle	3P
		Fixed type	Motor charging type	3P
				4P
				4P
External dimension	Draw-out type	Inch (mm)	H×W×D	3P
				4P
			Fixed type	Inch (mm)
	4P			
	Enclosure dimension		Inch (mm)	H×W×D
4P				



Susol		
UAS- □□D		
08		16
800		1600
		800
400		1000
600		1200
630		1250
800		1600
254V / 508V / 635V		
50/60		
3P / 4P		
N, A, P, S (4 type)		
		65
		85
		85
		65
		65
		65
		65
		50ms
		80ms
		12,500
		2,800
		154 (70)
		187 (85)
		71 (32)
		84 (38)
		77 (35)
		99 (45)
		16.93×13.15×16.02
		(430×334×407)
		16.93×16.5×16.02
		(430×419×407)
		11.81×11.81×11.61
		(300×300×295)
		11.81×15.16×11.61
		(300×385×295)
		19.69×15.75×13.39
		(500×400×340)
		19.69×19.69×13.39
		(500×500×340)



Susol				
UAH- □□E				
08	16	20	25	32
800	1600	2000	2500	3200
400	800	1000	1200	1600
600	1000	1200	1250	2000
630	1200	1250	1600	2500
800	1250	1600	2000	3000
	1600	2000	2500	3200
254V / 508V / 635V				
50/60				
3P / 4P				
N, A, P, S (4 type)				
85				
100				
100				
85				
85				
85				
85				
85				
50ms				
80ms				
12,500			5,000	
2,800			1,000	
214 (97)		245 (111)		326 (148)
269 (122)		309 (140)		414 (188)
99 (45)		123 (56)		205 (93)
121 (55)		152 (69)		256 (116)
101 (46)		110 (50)		196 (89)
126 (57)		137 (62)		249 (113)
16.93×16.22×16.02 (430×412×407)				
16.93×20.75×16.02 (430×527×407)				
11.81×14.88×11.61 (300×378×295)				
11.81×19.41×11.61 (300×493×295)				
19.69×19.69×13.39 (500×500×340)				
19.69×24.21×13.39 (500×615×340)				

Susol		
UAH- □□G		
32	40	50
3200	4000	5000
1600	2000	2500
2000	2500	3000
2500	3000	3200
3000	3200	3600
3200	3600	4000
	4000	5000
254V / 508V / 635V		
50/60		
3P / 4P		
N, A, P, S (4 type)		
100		
130		
130		
100		
100		
100		
100		
100		
50ms		
90ms		
5,000		
1,000		
489 (222)		
626 (284)		
276 (125)		
355 (161)		
227 (103)		
287 (130)		
18.11×30.91×16.02 (460×785×407)		
18.11×39.96×16.02 (460×1015×407)		
11.81×29.57×11.61 (300×751×295)		
11.81×38.62×11.61 (300×981×295)		
31.5×32.48×13.39 (800×825×340)		
31.5×41.54×13.39 (800×1055×340)		

Trip relay(OCR)

The trip relay of Susol ACB provides the additional protection functions for voltage, frequency, unbalance, and others in addition to main protection functions for over current, short-circuit, ground fault. It supports the advanced measurement functions for voltage, current, power, electric energy, harmonics, communication function, and others.





Analog trip function interlocked with mechanism enhanced a durability of devices as well as the breaking capacity of ACB.

Zone selective interlocking function makes the protective coordination more simple and thermal memory can be applied to various loads.



Air circuit breakers

Trip relay types

Classification	N type	A type	P type	S type
Externals				
Current protection	<ul style="list-style-type: none"> L / S / I / G 	<ul style="list-style-type: none"> L / S / I / G / Thermal ZSI(Protective coordination) 	<ul style="list-style-type: none"> L / S / I / G / Thermal(Continuous) ZSI(Protective coordination) 	<ul style="list-style-type: none"> P type
Other protection	-	<ul style="list-style-type: none"> Earth leakage (Option) 	<ul style="list-style-type: none"> Earth leakage(Option) Over/Under current Over/Under frequency Unbalance(Voltage/Current) Reverse power 	<ul style="list-style-type: none"> P type
Measurement function	-	<ul style="list-style-type: none"> Current (R / S / T / N) 	<ul style="list-style-type: none"> 3 Phase Voltage/Current RMS/Vector Power(P, Q, S), PF(3-Phase) Energy(Positive/Negative) Frequency, Demand 	<ul style="list-style-type: none"> 3 Phase Voltage/Current RMS/Vector Power(P, Q, S), PF(3-Phase) Energy(Positive/Negative) Frequency, Demand Voltage/Current harmonics (1st-63th) 3 Phase Waveforms THD, TDD, K-Factor
Fine adjustment	-	-	<ul style="list-style-type: none"> Fine adjustment for long/short time delay/instantaneous/ ground 	<ul style="list-style-type: none"> P type
Pre Trip Alarm	-	-	<ul style="list-style-type: none"> Overload protection relays : DO (Alarm) (Ground fault is not available when using Pre trip alarm) 	<ul style="list-style-type: none"> P type
Digital Output	-	<ul style="list-style-type: none"> 3DO (Fixed) L, S/I, G Alarm 	<ul style="list-style-type: none"> 3DO (Programmable) Trip, Alarm, General 	<ul style="list-style-type: none"> P type
IDMTL setting	-	-	<ul style="list-style-type: none"> Compliance with IEC60255-3 SIT, VIT, EIT, DT 	<ul style="list-style-type: none"> P type
Communication	-	<ul style="list-style-type: none"> Modbus/RS-485 Profibus-DP 	<ul style="list-style-type: none"> Modbus / RS-485 Profibus-DP 	<ul style="list-style-type: none"> Modbus / RS-485 Profibus-DP
Power supply	<ul style="list-style-type: none"> Self Power - Power source works over 20% of load current. 	<ul style="list-style-type: none"> Self Power - Power source works over 20% of load current. - External power source are required for comm. AC/DC 100~250V DC 24~60V 	<ul style="list-style-type: none"> AC/DC 100~250V DC 24~60V 	<ul style="list-style-type: none"> AC/DC 100~250V DC 24~60V
RTC timer	<ul style="list-style-type: none"> Available 	<ul style="list-style-type: none"> Available 	<ul style="list-style-type: none"> Available 	<ul style="list-style-type: none"> Available
LED for trip info.	<ul style="list-style-type: none"> Long time delay Short time delay/Instantaneous Ground fault 	<ul style="list-style-type: none"> N type 	<ul style="list-style-type: none"> N type 	<ul style="list-style-type: none"> N type
Fault recording	-	<ul style="list-style-type: none"> 10 records (Fault/Current/Date and Time) 	<ul style="list-style-type: none"> 256 records (Fault/Current/Date and Time) 	<ul style="list-style-type: none"> 256 records Last fault wave recording (3 Phase)
Event recording	-	-	<ul style="list-style-type: none"> 256 records(Content, Status, Date) 	<ul style="list-style-type: none"> P type
Operating button	<ul style="list-style-type: none"> Reset button 	<ul style="list-style-type: none"> Reset, Menu Up/Down, Left/Right, Enter 	<ul style="list-style-type: none"> A type 	<ul style="list-style-type: none"> A type

Basic protection function(L / S / I / G) is still under normal operation without control power.

Air circuit breakers

Numbering system

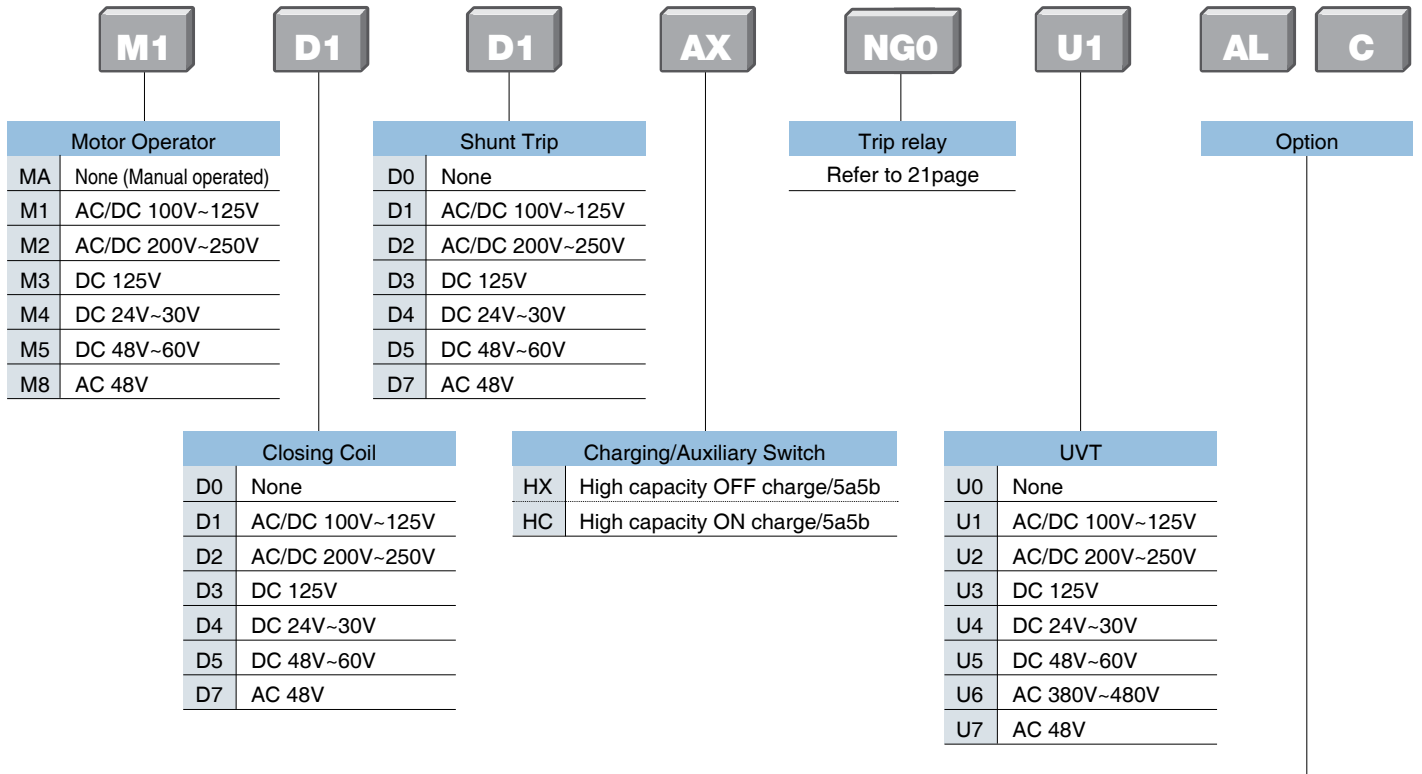
Breaker and Accessories

UAS	—	10	D	3	—	10	A		
Frame Type	Frame Size		Phasing		Poles		Sensor Rating	Mounting and Terminal	
	08	800AF	D	3/4P Standard	3	3P	04-08	400A~800A	
	16	1600AF		RST(N)	4	4P	08-16	800A~1600A	
			W	4P Reversed NRST					
								Mounting	
								A	Drawout
									Fixed
								H	Horizontal terminals
								V	Vertical terminals
								M	Horizontal for line
									Vertical for load
								N	Vertical for line
									Horizontal for load
								P	Front terminal
								G	Horizontal-con type
								W	Vertical-con type

UAH	—	32	E	3	—	32		
Frame Type	Frame Size		Phasing		Poles		Sensor Rating	
	08	800AF	E	3/4P Standard	3	3P	04-08	400A~800A
	16	1600AF		RST(N)	4	4P	08-16	800A~1600A
	20	2000AF	X	4P Reversed NRST			10-20	1000A~2000A
	25	2500AF					12-25	1200A~2500A
	32	3200AF					16-32	1600A~3200A
	32	3200AF	G	3/4P Standard	3	3P	16-32	1600A~3200A
	40	4000AF		RST(N)	4	4P	20-40	2000A~4000A
	50	5000AF	Z	4P Reversed NRST			25-50	2500A~5000A

* Terminals for P type must be ordered separately
 * G and W types can be applicable to UAS-08D, UAS-16D only
 * Front terminal is only available for 800~2000A

UAA	—	16	D	3	—	00	
Frame Type	Frame Size		Phasing		Poles		Sensor Rating
	08	800AF	D	3/4P Standard	3	3P	Not applied
	16	1600AF		RST(N)	4	4P	
	20	2000AF	W	4P Reversed NRST			
	25	2500AF	E	3/4P Standard			
	32	3200AF		RST(N)			
	40	4000AF	X	4P Reversed NRST			
	50	5000AF	G	3/4P Standard			
				RST(N)			
			Z	4P Reversed NRST			



Code	Description	Code	Description	
AL	AL1+MRB	M	MI Mechanical interlock	
A1	AL1+MRB +RES(AC110~130V) *AC only	D	DI or MOC Door Interlock or MOC(Mechanism operated cell switch)	
A2	AL1+AL2 +MRB	K	K1 Key Lock	
A3	AL1+MRB +RES(DC110~125V) *DC only	K2	K2 Key Interlock Set	
A4	AL1+MRB +RES(AC200~250V) *AC only	K3	K3 Key Interlock Double	
A5	AL1+MRB +Auto Reset	R	RCS Ready to Close switch	
A6	AL1+AL2 +MRB +Auto Reset	T	TM Temperature Monitoring	
A7	AL1+MRB +RES(DC110~125V) +Auto Reset *DC only	H1	SHT2 ^{Note 2)} AC/DC 100V ~125V, Double Shunt coil	
A8	AL1+MRB +RES(AC200~250V) +Auto Reset *AC only	H2		AC/DC 200V ~250V, Double Shunt coil
A9	AL1+MRB +RES(AC110~130V) +Auto Reset *AC only	H3		DC 125V, Double Shunt coil
C	C COUNTER	H4		DC 24V ~30V, Double Shunt coil
S	CS2 Charge switch communication	H5		DC 48V ~60V, Double Shunt coil
B	B On/Off Button lock	H7		AC 48V, Double Shunt coil

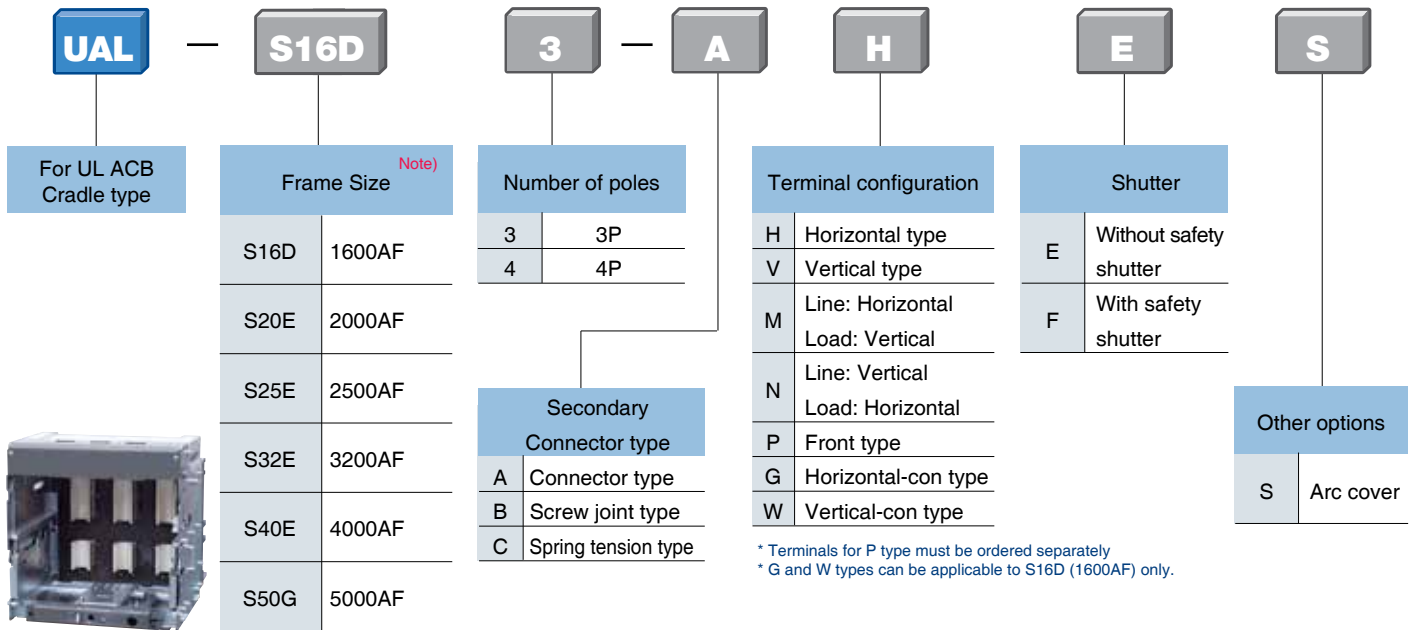
N01	A4 (AL1+MRB +RES(AC200~250V))+C(Counter)+B(ON/OFF Button Lock)+K(Key Lock)+R(Ready to Close switch)+M(Mechanic Interlock)+E(Spring Auto Release)
N02	AL (AL1+MRB)+K(Key Lock(OFF Lock))+R(Ready to Close switch)+D(Door Interlock or MOC)+H1(AC/DC 100V ~ 130V, Double Shunt coil)+E(Spring Auto Release)
N03	C(Counter)+B(ON/OFF Button Lock)+K2(Key Interlock Set)+R(Ready to Close switch)+T(Temperature Monitoring)
N04	A4(AL1+MRB+RES(AC200~250V))+B(ON/OFF Button Lock)+K(Key Lock(OFF Lock))+M(Mechanical Interlock)+T(Temperature Monitoring)
N05	A1(AL1+MRB+RES110~130V)+B(ON/OFF Button Lock)+K(Key Lock(OFF Lock))+R(Ready to Close switch)+M(Mechanical Interlock)+T(Temperature Monitoring)
N06	A2(AL1+AL2+MRB)+C(Counter)+K(Key Lock(OFF Lock))+R(Ready to Close switch)+T(Temperature Monitoring)

Note) * Codes for over 5 optional accessories are composed separately
 **UVT and SHT2 can not be selected together. Select one of two.

Air circuit breakers

Numbering system

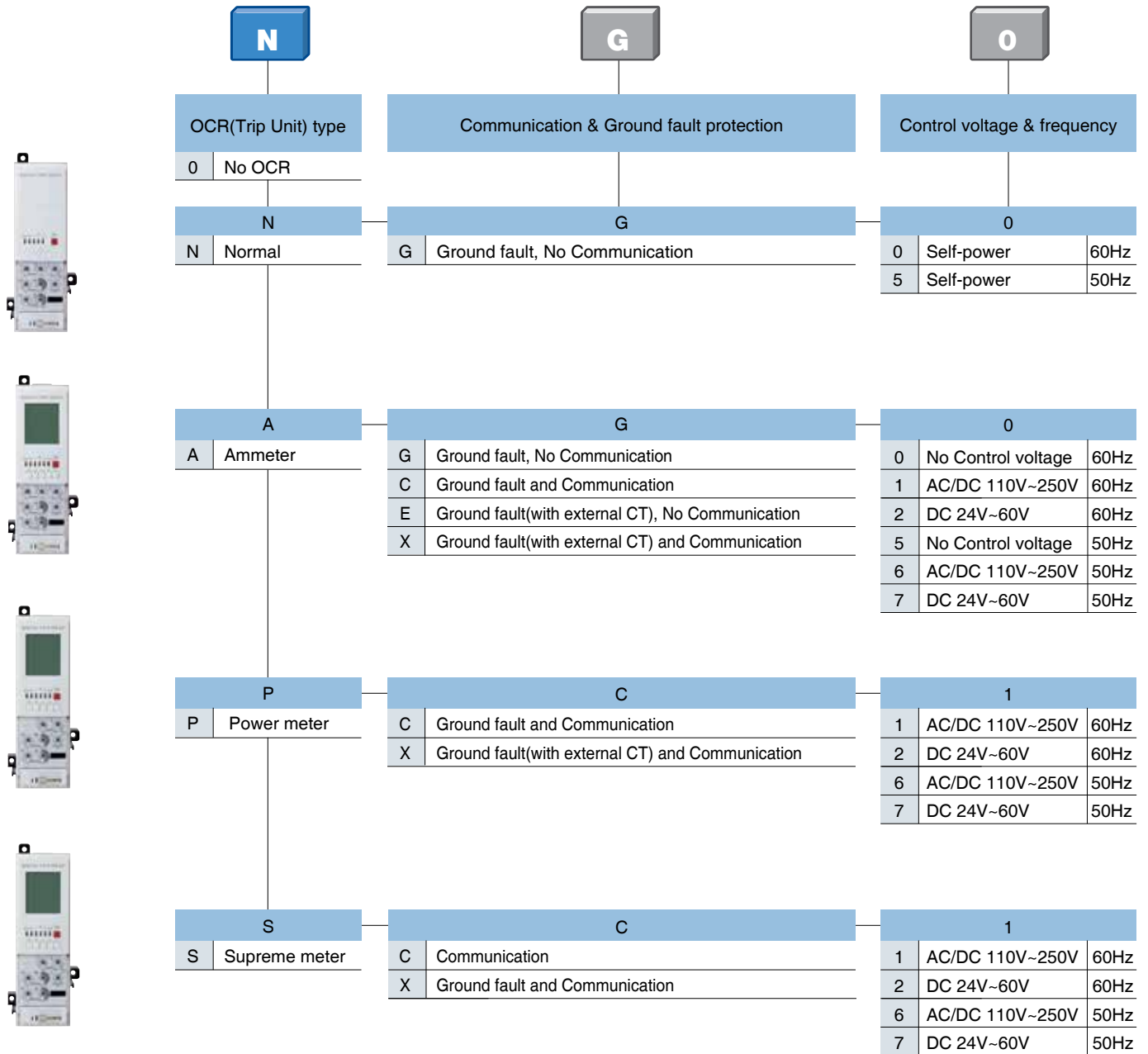
Adapter (Cradle)



Note) The corresponding Breaker Adapter

Breaker		Adapter
UAS-08D	UAS-08W	S16D
UAS-16D	UAS-16W	
UAH-08E	UAH-08X	S20E
UAH-16E	UAH-16X	
UAH-20E	UAH-20X	
UAH-25E	UAH-25X	S25E
UAH-32E	UAH-32X	S32E
UAH-32G	UAH-32Z	S50G
UAH-40G	UAH-40Z	
UAH-50G	UAH-50Z	

Trip relay



* Ground fault detection by current vector sum of 4 phase (R,S,T,N)

* Communication and output contacts for L,S,I,G do not work except OCR LED without control power supply.

* P and S types require Voltage Module to be ordered separately.

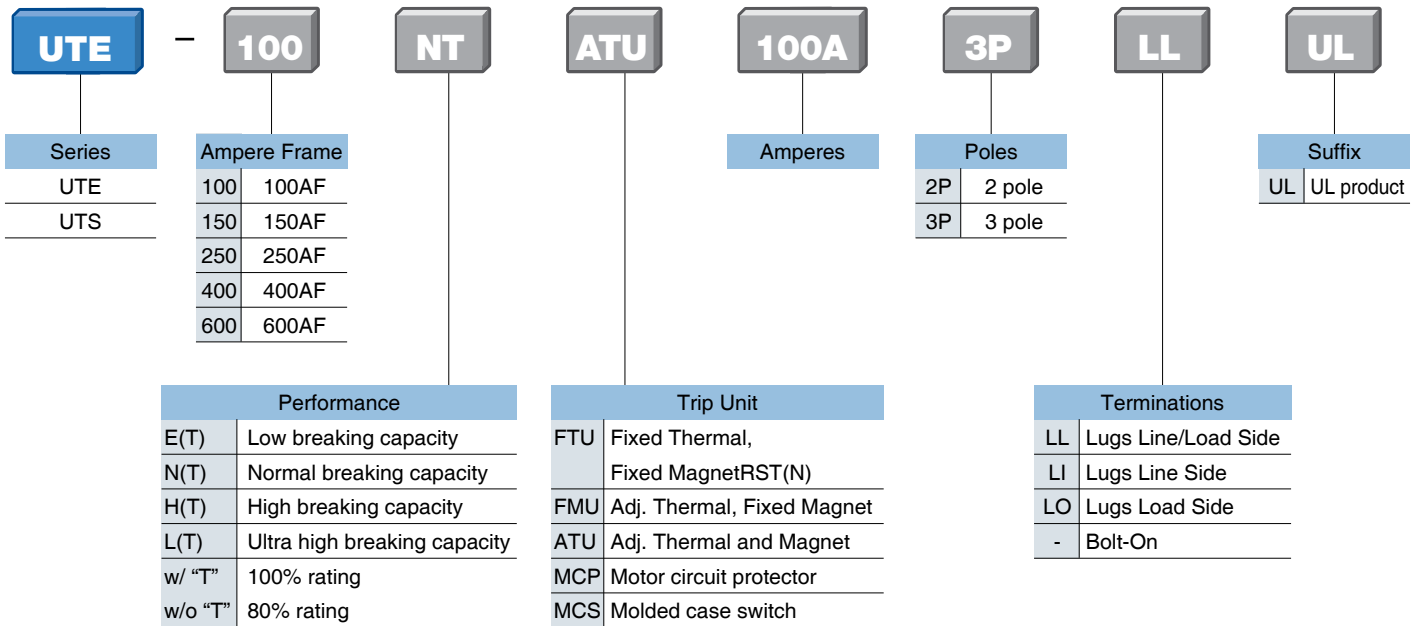
* LCD in trip unit can be display more than 10% of rated current.

* Current measuring value display more than 15% of rated current.

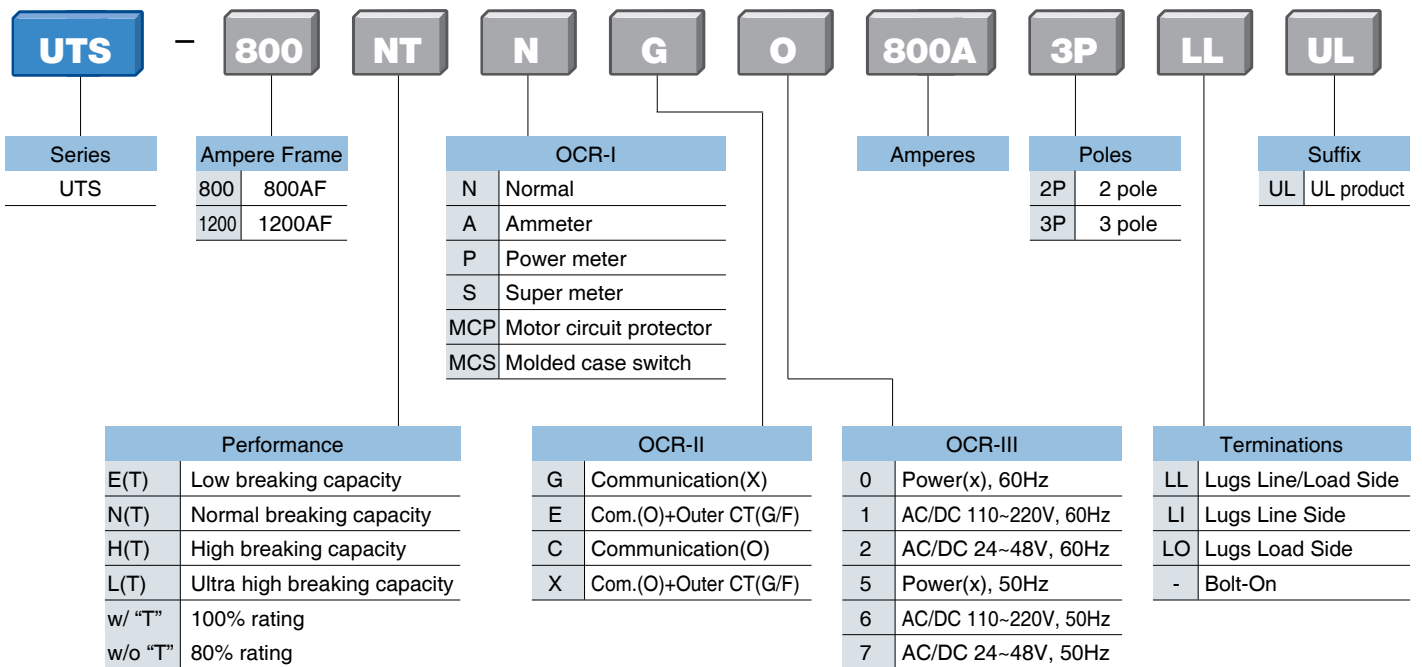
Molded case circuit breakers

Numbering system

UL MCCB 100~600AF



UL MCCB 800~1200AF



Miniature circuit breakers

UL MCB



BK63H-UL 1P

BK63H-UL 2P

BK63H-UL 3P

BK63H-UL 4P

Ratings

Performance	UL489 MCB	UL1077 MCB
Standard	UL489, UL486E(Lug)	UL 1077
Protection	Overload, Short circuit	Overload, Short circuit
Rated current	1, 2, 3, 4, 6, 10, 16, 20, 25, 32, 40, 50, 63A	1, 2, 3, 4, 6, 10, 16, 20, 25, 32, 40, 50, 63A
Number of poles	1P, 2P, 3P	1P, 2P, 3P, 4P
Rated short circuit capacity	1P: 10kA @ 120/240VAC, 1~63A 2~3P: 10kA @ 240VAC, 1~63A 1P: 10kA @ 277VAC, 1~25A 2~3P: 10kA @ 480Y/277VAC, 1~25A	1P: 10kA @ 120/240VAC 6kA @ 277VAC 2~4P: 10kA @ 120/240VAC 6kA @ 480Y/277VAC
Rated frequency	50/60 Hz	50/60 Hz
Reference temperature	40 °C	40 °C
Normal ambient temperature	-5 ~ 40 °C	-5 ~ 40 °C
Tripping curve	B, C, D Curve	B, C, D Curve
Trip type	Thermal Magnetic	Thermal Magnetic
Type of terminals	Terminal with stirrup(indirect pressure)	Terminal with stirrup(indirect pressure)
Terminal size acceptability - Min/Max	14 / 4AWG	14 / 4AWG
Tightening Torque	3.9 Nm (35 lbf-in)	2Nm (17.5 lbf-in)
Installation	Mounting on 35mm Din rail	Mounting on 35mm Din rail
Dimension of specimen (W×H×D)	18×105×66 (1P)	18×81×66 (1P)
Protection degree	IP20	IP20
Accessory	AX-HU, AL-HU, SHT-HU, UVT-HU	AX-H, AL-H, SHT-H, UVT-H
Relative humidity	45~85%RH	45~85%RH
Electrical Endurance	6,000	6,000
Maximum switching frequency (time/h)	360/h	360/h
Approvals	UL	UL, CB, CCC

* Will be available within 2015

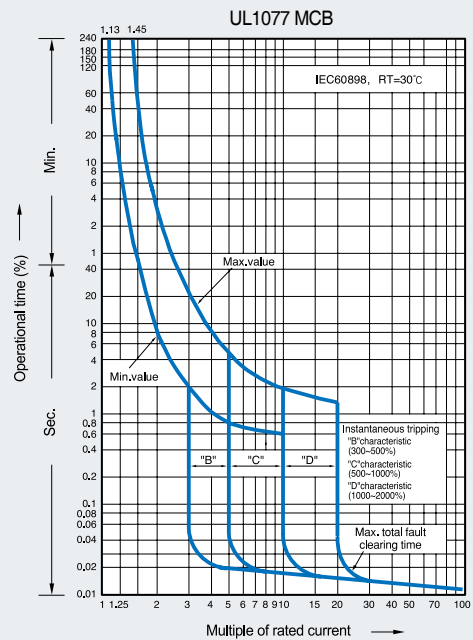
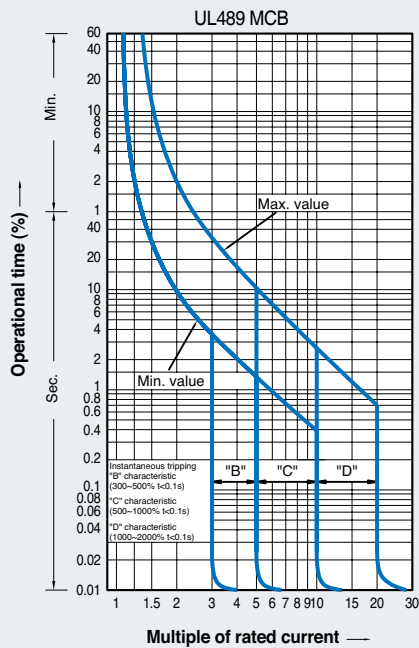
Miniature circuit breakers

Operating curve/Numbering system

UL489/1077 MCB

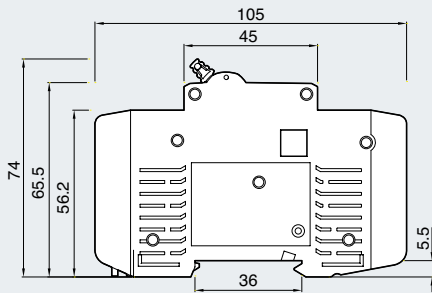
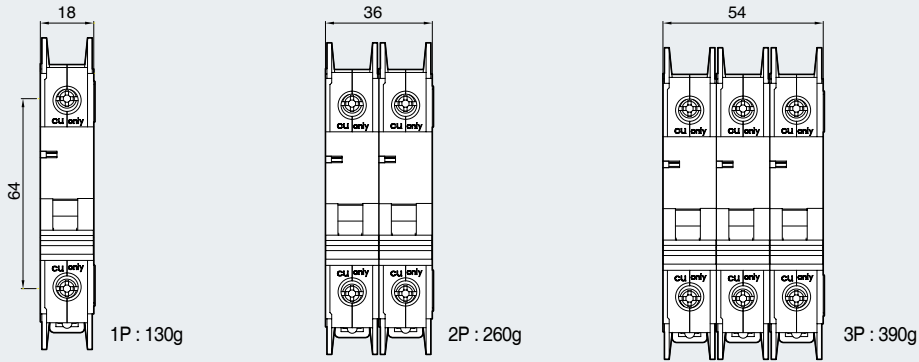
BK	63H	U	1P	B	63A	10kA	240VAC	UL489
Series	AF	Standard	Pole	Type	A	KA	Rated voltage	Standard
MCB	63	U UL489 UL1077	1P 2P 3P 4P	B-Type C-Type D-Type	1, 2, 3, 4, 6, 10, 20, 25, 32, 40, 50, 63A	6 10	120/240VAC 240VAC 277VAC 480Y/277VAC	UL489 UL1077

Operating curve

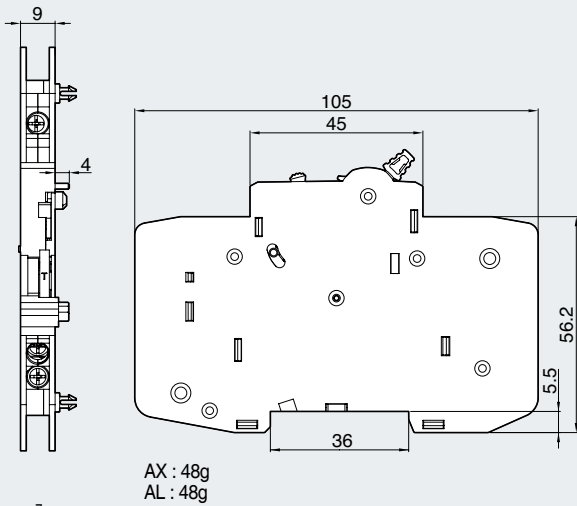


Dimensions

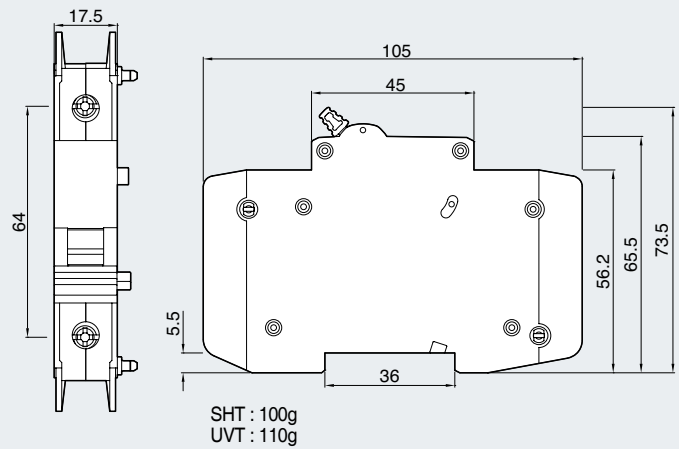
UL489 MCB



AX-HU/AL-HU



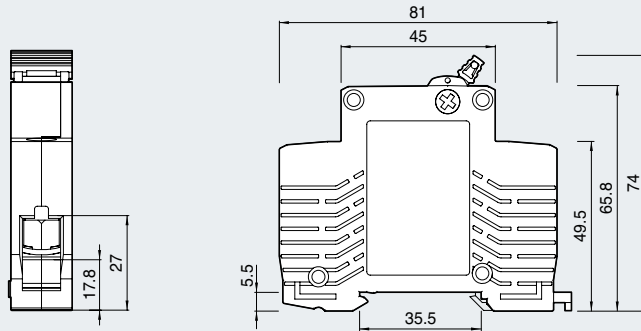
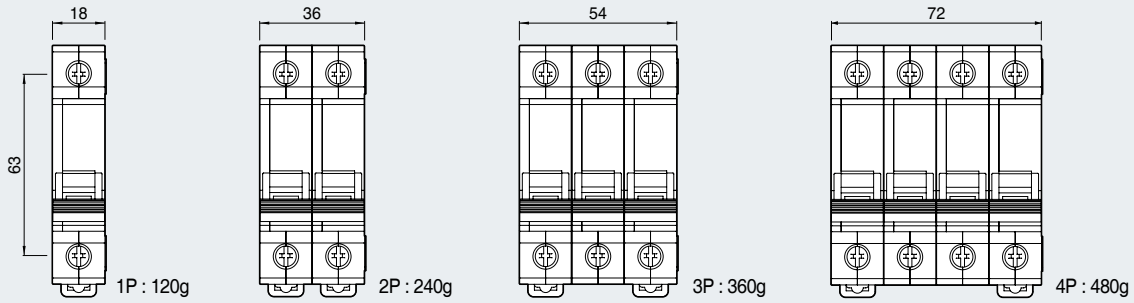
SHT-HU/UVT-HU



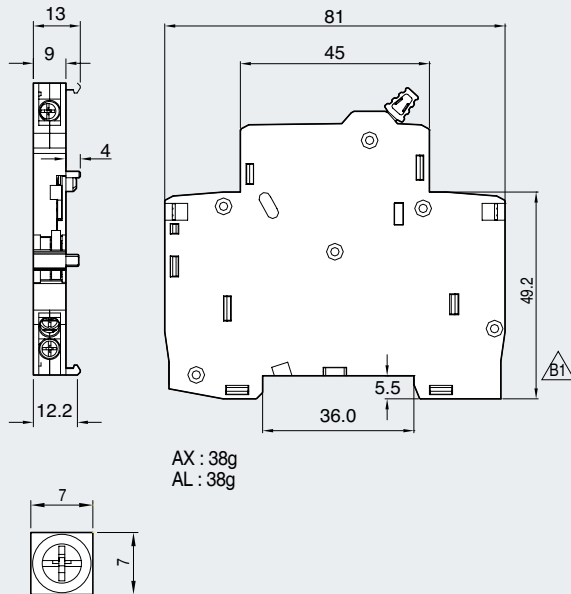
Miniature circuit breakers

Dimensions

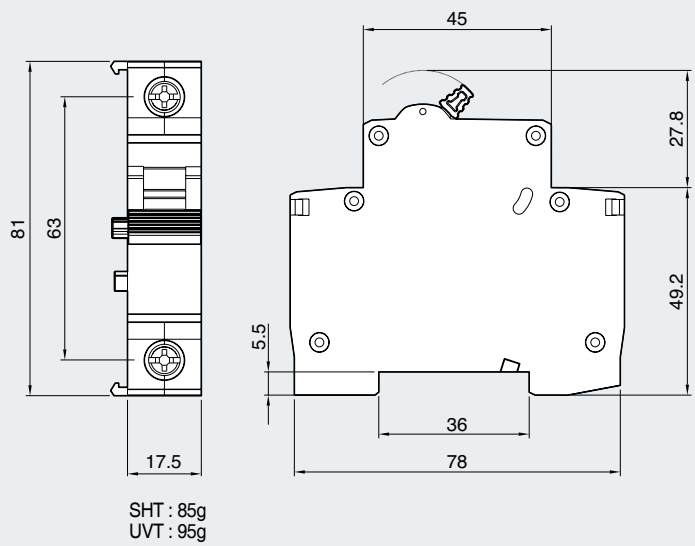
UL1077 MCB



AX-H/AL-H

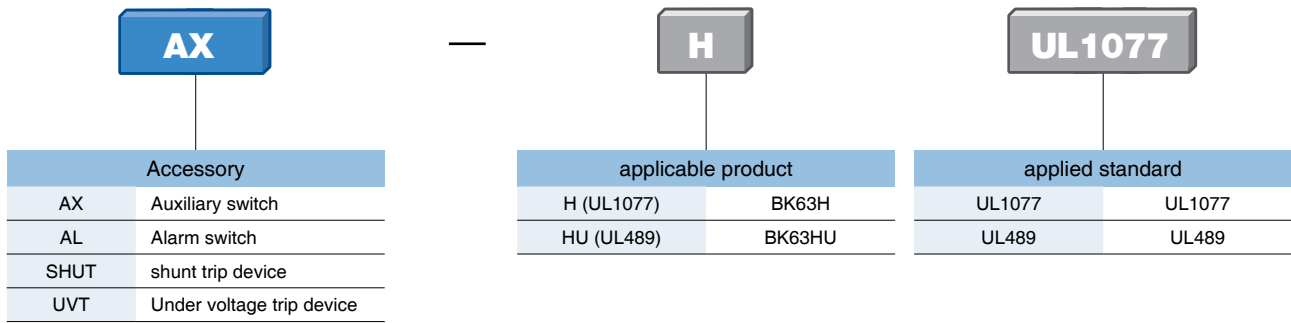


SHT-H/UVT-H



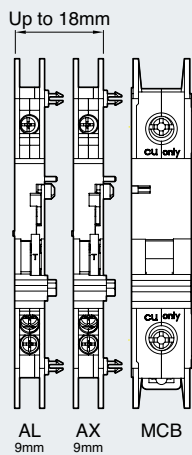
Accessory

Accessory numbering

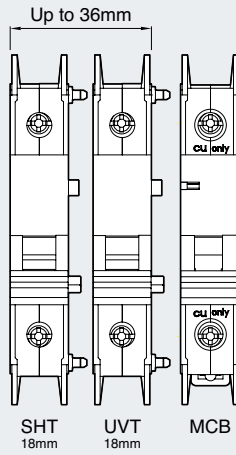


Accessory connecting

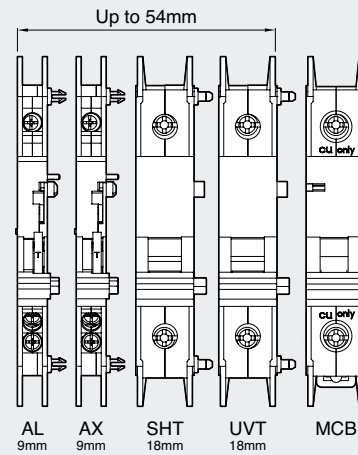
• Aux. contacts



• Tripping devices



• Both Aux. contacts and Tripping devices



Contactors & Overload relays

Metasol MC 3P 18 to 150A

MC type Magnetic Contactors



Frame size			
Type	screws clamp terminals		
Number of poles	3pole		
Rated operational voltage, Ue	690V		
Rated insulation voltage, Ui	690V		
Rated frequency	50/60Hz		
Rated impulse withstand voltage, Uimp	6kV		
Maximum operating rate in operating cycles per hour(AC3)	1800 operations per hour		
Durability	Mechanical	15 mil. operations	
	Electrical	2.5 mil. operations	
UL rating (50/60Hz)	Continuous current	A	
	Single phase	110~120V	HP
		220~240V	HP
	Three phase	200~208V	HP
		220~240V	HP
		440~480V	HP
	550~600V	HP	
NEMA size			
Size and weight	AC control	Weight	kg
		Size	inch
		W×H×D	(mm)
	DC control	Weight	kg
	Size	inch	
	W×H×D	(mm)	
Auxiliary(standard)	Side mount		
Auxiliary	Front mount		



18AF			
MC-6a	MC-9a	MC-12a	MC-18a
●	●	●	●
3pole			
690V			
690V			
50/60Hz			
6kV			
1800 operations per hour			
15 mil. operations			
2.5 mil. operations			
25	25	25	32
0.5	0.5	0.75	1
1.5	1.5	2	3
2	2	3	5
3	3	5	7.5
5	5	7.5	10
7.5	7.5	10	15
00	00	0	1
0.33			
1.77×2.89×3.17 (45×73.5×80.4)			
0.5			
1.77×2.89×4.36 (45×73.5×110.7)			
1NO or 1NC			
UA-1			
UA-2, UA-4			

22AF			
MC-9b	MC-12b	MC-18b	MC-22b*
●	●	●	●
3pole			
690V			
690V			
50/60Hz			
6kV			
1800 operations per hour			
15 mil. operations			
2.5 mil. operations			
25	25	40	40
0.5	0.75	1	2
1.5	2	3	3
2	3	5	7.5
3	5	7.5	10
5	7.5	10	15
7.5	10	15	20
00	00	1	
0.34			
1.77×2.89×3.44 (45×73.5×87.4)			
0.51			
1.77×2.89×4.63 (45×73.5×117.7)			
1NO1NC			
UA-1			
UA-2, UA-4			

Note) Minimum conduct current of Auxiliary contactor is DC 17V 5mA.

MT type Thermal Overload Relays



Type	Screws clamp terminals		
Rated operational voltage, Ue	690V		
Rated insulation voltage, Ui	690V		
Rated impulse withstand voltage, Uimp	6kV		
Trip class	10A, 20		
Setting range	0.1~18A		
Size and weight	Weight	kg	
	Size	inch	
	W×H×D	(mm)	



MT-12/□	
●	
690V	
690V	
6kV	
10A, 20	
0.1~18A	
0.1	
1.77×2.88×2.51 (45×73.2×63.7)	

MT-32/□	
●	
690V	
690V	
6kV	
10A, 20	
0.1~40A	
0.17	
1.77×2.95×3.54 (45×75×90)	

* The safety cover of magnetic contactor and thermal overload relay is optional.



40AF	
MC-32a	MC-40a
●	●
3pole	
690V	
1000V	
50/60Hz	
8kV	
1800 operations per hour	
12 mil. operations	
2 mil. operations	
50	60
2	3
5	7.5
7.5	15
10	15
20	30
25	30
1P	2
0.4	
1.77×3.27×3.54 (45×83×90)	
0.6	
1.77×3.27×4.61 (45×83×117.1)	
UA-1	
UA-2, UA-4	



65AF	
MC-50a	MC-65a
●	●
3pole	
690V	
1000V	
50/60Hz	
8kV	
1800 operations per hour	
12 mil. operations	
2 mil. operations	
70	100
3	5
10	15
20	25
25	30
40	50
50	60
0.9	
2.17×4.17×4.69 (55×106×119)	
1.2	
2.17×4.17×5.76 (55×106×146.4)	
UA-1	
UA-2, UA-4	



100AF		
MC-75a	MC-85a	MC-100a
●		●
3pole		
690V		
1000V		
50/60Hz		
8kV		
1800 operations per hour		
12 mil. operations		
2 mil. operations		
110	135	160
5	7.5	10
15	20	
25	30	30
30	40	40
50	60	75
60	75	75
3		
1.6		
2.76×5.51×5.35 (70×140×135.8)		
2.6		
2.76×5.51×6.78 (70×140×172.3)		
UA-1		
UA-2, UA-4		



150AF	
MC-130a	MC-150a
●	●
3pole	
690V	
1000V	
50/60Hz	
8kV	
1200 operations per hour	
5 mil. operations	
1 mil. operations	
160	210
10	15
20	25
40	40
40	50
75	100
75	75
4	
2.4	
3.74×6.22×5.20 (95×158×132)	
2.3	
3.74×6.22×5.20 (95×158×132)	
UA-1	
UA-2, UA-4	



MT-32/□
●
690V
690V
6kV
10A, 20
0.1~40A
0.17
1.77×2.95×3.54 (45×75×90)



MT-63/□
●
690V
690V
6kV
10A, 20
0.1~40A
0.17
1.77×2.95×3.54 (45×75×90)



MT-95/□
●
690V
690V
6kV
10A, 20
7~100A
0.48/0.5
2.76×3.82×4.33 (70×97×110)



MT-150/□
●
690V
690V
6kV
10A, 20
0.1~40A
0.17
1.77×2.95×3.54 (45×75×90)

Contactors & Overload relays

Metasol MC 3P 225 to 2100A

MC type Magnetic Contactors



Frame size			
Type	screws clamp terminals		
Number of poles	3pole		
Rated operational voltage, Ue	690V		
Rated insulation voltage, Ui	1000V		
Rated frequency	50/60Hz		
Rated impulse withstand voltage, Uimp	8kV		
Maximum operating rate in operating cycles per hour(AC3)	1200 operations per hour		
Durability	Mechanical	5 mil. operations	
	Electrical	1 mil. operations	
UL rating (50/60Hz)	Continuous current	A	
		Single phase	110~120V HP
	Three phase	220~240V HP	
		200~208V HP	
	NEMA size	220~240V HP	
		440~480V HP	
Size and weight	AC control	Weight	kg
		Size	inch
	DC control	Weight	kg
		Size	inch
W×H×D		(mm)	
W×H×D		(mm)	
Auxiliary(standard)			
Auxiliary	Side mount		
	Front mount		

225AF		
MC-185a	MC-225a	
●	●	
3pole		
690V		
1000V		
50/60Hz		
8kV		
1200 operations per hour		
5 mil. operations		
1 mil. operations		
230	275	
15	15	
30	40	
60	60	
60	75	
125	150	
125	150	
5.4		
5.43×7.99×7.16		
(138×203×181)		
2NO2NC		
AU-100 (Max.4NO4NC)		
-		

400AF		
MC-265a	MC-330a	MC-400a
●	●	●
3pole		
690V		
1000V		
50/60Hz		
8kV		
1200 operations per hour		
5 mil. operations		2.5 mil. operations
1 mil. operations		0.5 mil. operations
300	350	450
-	-	-
-	-	-
75	100	125
100	125	150
200	250	300
200	250	300
5		
9.2		
6.48×9.92×7.80		
(163×243×198)		
2NO2NC		
AU-100 (Max.4NO4NC)		
-		

MT type Thermal Overload Relays



Type	Screws clamp terminals		
Rated operational voltage, Ue	690V		
Rated insulation voltage, Ui	690V		
Rated impulse withstand voltage, Uimp	6kV		
Trip class	10A, 20		
Setting range	65~240A		
Size and weight	Weight	kg	
		Size	inch
W×H×D		(mm)	

MT-225/□		
●		
690V		
690V		
6kV		
10A, 20		
65~240A		
2.5		
5.79×5.55×7.24		
(147×141×184)		

MT-400/□		
●		
690V		
690V		
6kV		
10A, 20		
85~400A		
2.6		
5.94×6.73×7.79		
(151×171×198)		

* The safety cover of magnetic contactor and thermal overload relay is optional.



800AF		
MC-500a	MC-630a	MC-800a
●	●	●
	3pole	
	690V	
	1000V	
	50/60Hz	
	8kV	
	1200 operations per hour	
	2.5 mil. operations	
	0.5 mil. operations	
580	660	900
-	-	-
-	-	-
150	200	200
200	250	300
400	500	600
400	500	600
6		7

2100AF		
MC-1400a	MC-1700a	MC-2100a
●	●	●
	3pole	
	1000V	
	1040V	
	50/60Hz	
	8kV	
	3000 operations per hour	
	0.5 mil. operations	
	0.05 mil. operations	
1400	1700	2100
-	-	-
-	-	-
-	-	-
-	-	-
-	-	-

22.4
11.22×12.29×9.53
(285×312×242)

33.8
17×15×9.7
(431×380×246)

2NO2NC
AU-100 (Max.4NO4NC)
-

2NO2NC
AU-100, AU-100E (Max.4NO4NC)
-




MT-800/□
●
690V
690V
6kV
10A, 20
200~800A
11.5
14.17×20.87×8.35 (360×530×212)

Contactors & Overload relays

Metasol MC 4P 18 to 85A

MC type Magnetic Contactors



Frame size			
Type	Screw clamp terminal		
Number of poles	4pole		
Rated operational voltage (Ue)	690V		
Rated insulation voltage (Ui)	690V		
Rated frequency	50/60Hz		
Rated impulse withstand voltage, Uimp	6kV		
Maximum operating rate in operating cycles per hour(AC1)	1800 operations per hour		
Durability	Mechanical		
	Electrical		
UL rating (50/60Hz)	Continuous current	A	
	Single	110~120V	HP
	Phase	220~240V	HP
		200~208V	HP
	Three	220~240V	HP
	Phase	440~480V	HP
		550~600V	HP
NEMA Size	Size and		
AC weight	Weight	kg	
	Control	Size	inch
		W×H×D	(mm)
	DC	Weight	kg
	Control	Size	inch
		W×H×D	(mm)
Auxiliary(standard)			
Auxiliary	Side Mount		
	Front Mount		

18AF			
MC-6a/4	MC-9a/4	MC-12a/4	MC-18a/4
●			
4pole			
690V			
690V			
50/60Hz			
6kV			
1800 operations per hour			
15 mil. Operations			
0.5 mil. Operations		0.8 mil. Operations	
25	25	25	32
0.5	0.5	0.75	1
1.5	1.5	2	3
2	2	3	5
3	3	5	7.5
5	5	7.5	10
7.5	7.5	10	15
00	00	0	0
0.33			
1.77×2.89×3.11			
(45×73.5×79)			
0.5			
1.77×2.89×4.36			
(45×73.5×110.7)			
-			
UA-1			
AU-2, AU-4			



22AF
MC-22a/4
●
4pole
690V
690V
50/60Hz
6kV
1800 operations per hour
15 mil. Operations
1 mil. Operations
32
2
3
7.5
7.5
10
15
1
0.4
1.86×3.15×3.42 (47.2×80×86.8)
0.5
1.86×3.15×4.47 (47.2×80×113.2)
-
AU-1
AU-2, AU-4

40AF	
MC-32a/4	MC-40a/4
●	
4pole	
690V	
690V	
50/60Hz	
6kV	
1800 operations per hour	
15 mil. Operations	
1 mil. Operations	
45	50
2	3
5	5
7.5	10
10	10
20	25
20	25
1	1
0.59	
2.32×3.29×3.72 (59×83.5×94.5)	
0.7	
2.32×3.29×4.76 (59×83.5×121)	
-	
AU-1	
AU-2, AU-4	

85AF			
MC-50a/4	MC-65a/4	MC-75a/4	MC-85a/4
●			
4pole			
690V			
1000V			
50/60Hz			
8kV			
1800 operations per hour			
12 mil. Operations			
1 mil. Operations			
70	80	90	100
3	5	5	7.5
7.5	10	15	15
10	15	20	25
15	20	25	30
30	40	50	50
30	40	50	50
2	2	2	3
1.2			
3.58×4.86×4.64 (91×123.5×117.8)			
1.29			
3.58×4.86×4.64 (91×123.5×117.8)			
-			
AU-1			
AU-2, AU-4			

Contactors & Overload relays

Metasol MC 4P 225 to 800A

MC type Magnetic Contactors



Frame size			
Type	Screw clamp terminal		
Number of poles	4pole		
Rated operational voltage (Ue)	690V		
Rated insulation voltage (Ui)	1000V		
Rated frequency	50/60Hz		
Rated impulse withstand voltage, Uimp	8kV		
Maximum operating rate in operating cycles per hour(AC1)	1200 operations per hour		
Durability	Mechanical		
	5 mil. Operations		
UL rating (50/60Hz)	Electrical		
	0.8 mil. Operations		
AC weight	Continuous current	A	
	Single	110~120V	HP
	Phase	220~240V	HP
		200~208V	HP
	Three	220~240V	HP
	Phase	440~480V	HP
550~600V		HP	
NEMA Size	Size and		
DC weight	Weight	kg	
	Control	Size	inch
		W×H×D	(mm)
	Control	Weight	kg
Size		inch	
	W×H×D	(mm)	
Auxiliary(standard)			
Auxiliary	Side Mount		
	Front Mount		



* - FLA = 722 A, LRA = 5618 A
 ** - FLA = 566 A, LRA = 4495 A

225AF				
MC-100a/4	MC-130a/4	MC-150a/4	MC-185a/4	MC-225a/4
●				
4pole				
690V				
1000V				
50/60Hz				
8kV				
1200 operations per hour				
5 mil. Operations				
0.8 mil. Operations				
160	160	210	230	275
7.5	10	15	15	15
15	20	25	30	40
30	40	40	60	60
30	40	50	60	75
60	75	100	125	150
60	75	100	125	150
3	3	4	4	4
5.6				
6.89×7.99×7.28				
(175×203×185)				
2a2b				
AU-100				
-				



400AF		
MC-265a/4	MC-330a/4	MC-400a/4
●		
4pole		
690V		
1000V		
50/60Hz		
8kV		
1200 operations per hour		
2.5 mil. Operations		
0.5 mil. Operations		
300	350	450
-	-	-
-	-	-
75	100	125
100	125	150
200	250	300
200	250	300
5	5	5

9.9
 8.11 × 9.57 × 8.07
 (206 × 243 × 205)

2a2b
AU-100
-

800AF		
MC-500a/4	MC-630a/4	MC-800a/4
●		
4pole		
690V		
1000V		
50/60Hz		
8kV		
1200 operations per hour		
2.5 mil. Operations		
0.5 mil. Operations		
580	660	900
-	-	-
-	-	-
150	200	200
200	250	300
400	500	600 *
400	500	600 **
6	6	7

26.3
 13.62 × 12.20 × 9.61
 (346 × 310 × 244)

2a2b
AU-100
-

Contactors & Overload relays

Numbering system

Contactors

MC-6a	/	R	/	AC220		60Hz		1NO1NC		3Pole
Rated current		Version		Coil voltage		Frequency		Auxiliary contact		No. of pole
6a 6A		- Standard		AC 220 AC 220V		60 60Hz		00 None		None 3Pole
⋮		R Reversing		⋮		50 50Hz		11 1NO1NC		4P 4Pole
2100a 2100A				⋮				22 2NO2NC		
9b 9A				DC 24 DC 24V				10 1NO		
⋮								01 1NC		
22b 22A										

Starters

MS-6a	/	R	2H	/	AC220	60Hz	10	/	0.1
Rated current		Contactor version	Relay version		Coil voltage	Frequency	Auxiliary contact		Relay setting current
6a 6A		- Standard	2H Non-differential (2-heater)		AC 220 AC 220V	60 60Hz	00 None		0.1 0.1A
⋮		R Reversing	3H Non-differential (3-heater)		⋮	50 50Hz	11 1a1b		⋮
800a 800A			3K Differential		DC 24 DC 24V		22 2a2b		⋮
9b 9A			3D Class 20				10 1a(1NO)		800 800A
⋮							01 1b(1NC)		
22b 22A									

Thermal Overload Relay

MT-12	/	2H			0.1
Frame size		Relay version			Relay setting current
12 12AF		2H Non-differential (2-heater)			0.1 0.1A
32 32AF		3H Non-differential (3-heater)			⋮
63 63AF		3K Differential			⋮
95 95AF		3D Class 20			800 800A
⋮					
800 800AF					

Optional Accessories

Auxiliary contact unit

UA-1

11

Version	
UA-1 AU-100 AU-100E	Side mount
UA-2	Front mount(2P)
UA-4	Front mount(4P)

Contact composition	
11	1NO+1NC
20	2NO
02	2NC
40	4NO
31	3NO+1NC
22	2NO+2NC
13	1NO+3NC
04	4NC

Note) UA-2: 2NO, 1NO1NC, 2NC
UA-4: 4NO, 3NO1NC, 4NC,
2NO2NC, 1NO3NC

Surge absorber

US11

Composition and voltage		
1	Varistor+RC	AC/DC 24~48V
2	Varistor+RC	AC/DC 100~125V
3	Varistor+RC	AC/DC 200~240V
4	Varistor+RC	AC 380~440V
5	Varistor+RC	AC 24~48V
6	Varistor+RC	AC 100~125V
11	Varistor	AC 200~240V
12	Varistor	DC 24~48V
13	Varistor	DC 100~125V
14	Varistor	DC 200~220V
22	RC	AC 100~125V

Interlock unit

UR02

Contact composition

02	2NC
00	None

Wire kit for Interlocking

UW32

Frame size

18	18AF
22	22AF
32	32AF
63	63AF
95	95AF

Interlock set (UR+UW)

RK32

Frame size

32	32AF
63	63AF
95	95AF

Separate mounting unit (For relay)

UZ32

Frame size

32	32AF
63	63AF
95	95AF
150	150AF

Remote reset unit (For relay)














UM

Cable length

4R	400
5R	500
6R	600



Mini contactors

6 to 16A

Mini contactors									
3NO main contacts 1 auxiliary contacts		Screw clamp type	Fast-on type	Cage clamp type	Solder pin type				
Frame size		6A	9A	12A	16A				
Screw clamp type	AC coil	GMC-6M	GMC-9M	GMC-12M	GMC-16M				
	DC coil	GMD-6M	GMD-9M	GMD-12M	GMD-16M				
Fast-on type	AC coil	GMC-6MF	GMC-9MF	GMC-12MF	GMC-16MF				
	DC coil	GMD-6MF	GMD-9MF	GMD-12MF	GMD-16MF				
Cage clamp type	AC coil	GMC-6MC	GMC-9MC	GMC-12MC	GMC-16MC				
	DC coil	GMD-6MC	GMD-9MC	GMD-12MC	GMD-16MC				
Solder pin type	AC coil	GMC-6MP	GMC-9MP	GMC-12MP	GMC-16MP				
	DC coil	GMD-6MP	GMD-9MP	GMD-12MP	GMD-16MP				
Ratings / IEC60947-4		kW	A	kW	A	kW	A	kW	A
AC1		20		20		20		20	
AC3	200/240V	1.5	7	2.2	9	3	12	4	15
	380/440V	2.2	6	4	9	5.5	12	7.5	16
	500/550V	3	5	3.7	6	4	7	5.5	9
	690V	3	4	4	5	4	5	4	5
Ratings / UL508		hp	A	hp	A	hp	A	hp	A
continuous current		I _{th} = 20A (maximum for cage clamp type is 10A)							
single phase	120V	1/2		1/2		1 *		-	
	230V/240V	1		1.5		2 **		-	
three phase	240V	1.5		3		3		-	
	480V	3		5		7.5 ***		-	
	600V	3		5		7.5		-	
Wire Range : Copper, 75°C, Stranded, 18-12AWG									
NEMA size		00		00		00		0	
Additional auxiliary contacts		Screw clamp type	Fast-on type	Cage clamp type	Solder pin type				
2-pole, Front mount	AU-2M		AU-2MF		AU-2MC		AU-1MP		
	AU-4M		AU-4MF		AU-4MC				
	AU-1M		AU-1MF		AU-1MC				

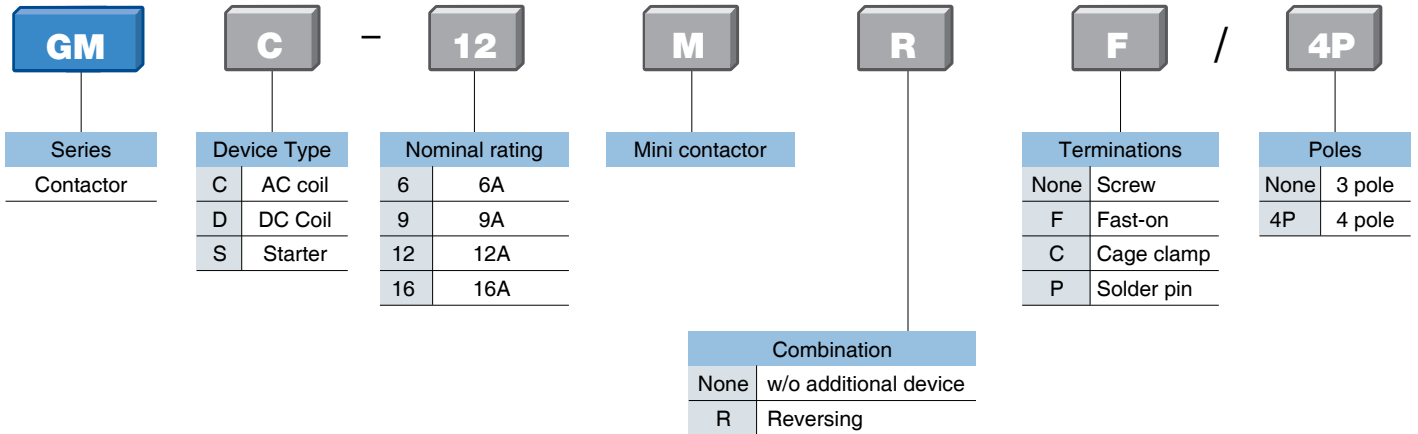
Note) * = 1/2 for cage clamp type, ** = 1.5hp for cage clamp type, *** = 5hp for cage clamp type
16AF : not approved from UL

Overload Relays

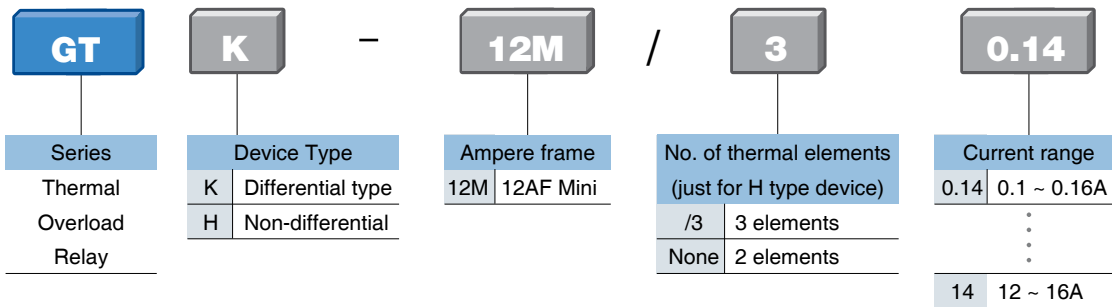
Bimetallic style Type GT		Setting ranges (A)	0.1 - 0.16 0.16 - 0.25 0.25 - 0.4 0.4 - 0.63 0.63 - 1 1 - 1.6 1.6 - 2.5 2.5 - 4	4 - 6 5 - 8 6 - 9 7 - 10 9 - 13 12 - 16		Base for separate mount
	Differential	GTK-12M				
	Non-differential (3-heater)	GTH-12M/3				
	Non-differential (2-heater)	GTH-12M				

Numbering system

Catalog Numbering [Mini-MC]



Catalog Numbering [Mini-TOR]



Manual motor starters

Technical information

Manual motor controller (UL 508, CSA C22.2 as Manual motor controllers)



Combination Motor Controller

- Group Installation
- Type E starter

MMS 32S

Rated operational current I_e [A]		0.16	0.25	0.4	0.63	1	1.6	2.5	4	6	8	10	13	17	22	26	32	40	
Max. short-circuit current																			
240V	[kA]	100	100	100	100	100	100	100	100	100	100	50	50	40	30	30	20	20	
480V	[kA]	50	50	50	50	50	50	50	50	25	25	10	10	10	10	7.5	7.5	7.5	
600V	[kA]	10	10	10	10	10	10	10	5	5	5	5	5	5	5	5	5	5	
Motor load																			
1 Phase	115V	[HP]	-	-	-	-	-	-	1/8	1/4	1/3	1/2	1/2	1	1½	2	2	3	
	230V	[HP]	-	-	-	-	1/10	1/6	1/3	1/2	1	1½	2	3	3	3	5	7½	
3 Phase	200V	[HP]	-	-	-	-	-	1/2	3/4	1	2	2	3	3	5	7½	7½	10	
	230V	[HP]	-	-	-	-	-	1/2	3/4	1½	2	3	3	5	7½	7½	10	10	
	460V	[HP]	-	-	-	-	3/4	1	2	3	5	5	7½	10	15	15	20	30	
	575V	[HP]	-	-	-	-	1/2	3/4	1½	3	5	5	7½	10	15	20	30	30	
Max. fuse size		[A]	1	1	1	1	3	6	10	15	20	30	40	50	60	80	100	125	125
Max. breaker size		[A]	15	15	15	15	15	15	15	15	20	30	40	50	60	80	100	125	125

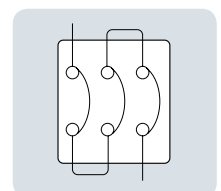
MMS 63S

Rated operational current I_e [A]		10	13	17	22	26	32	40	50	63	65
Max. short-circuit current											
240V	[kA]	100	100	100	100	100	100	100	100	100	100
480V	[kA]	50	50	40	40	40	40	40	40	40	40
600V	[kA]	10	10	10	10	10	10	10	10	10	10
Motor load											
1 Phase	115V	[HP]	1/2	1/2	1	1½	2	2	3	3	5
	230V	[HP]	1½	2	3	3	3	5	7½	10	10
3 Phase	200V	[HP]	2	3	3	5	7½	7½	10	15	20
	230V	[HP]	3	3	5	7½	7½	10	10	15	20
	460V	[HP]	5	7½	10	15	15	20	30	30	40
	575V	[HP]	7½	10	15	20	20	30	30	40	60
Maximum rated current of fuse or breaker		[A]	600	600	600	600	600	600	600	600	600

MMS 100S

Rated operational current I_e [A]		17	22	26	32	40	50	63	75	90	100
Max. short-circuit current											
240V	[kA]	100	100	100	100	100	100	100	100	100	100
480V	[kA]	50	50	50	50	50	50	40	40	40	40
600V	[kA]	10	10	10	10	10	10	10	10	10	10
Motor load											
1 Phase	115V	[HP]	1	1½	2	2	3	3	5	5	7½
	230V	[HP]	3	3	3	5	7½	10	10	15	20
3 Phase	200V	[HP]	3	5	7½	7½	10	15	20	20	25
	230V	[HP]	5	7½	7½	10	10	15	20	25	30
	460V	[HP]	10	15	15	20	30	30	40	50	60
	575V	[HP]	15	20	20	30	30	40	60	60	75
Maximum rated current of fuse or breaker		[A]	1000	1000	1000	1000	1000	1000	1000	1000	1000

In case of 1-phase use in series as shown below



Combination Motor Controller
 - Group Installation
 - Type E starter



MMS 32H

Rated operational current I_e [A]		0.16	0.25	0.4	0.63	1	1.6	2.5	4	6	8	10	13	17	22	26	32	40	
Max. short-circuit current																			
240V	[kA]	100	100	100	100	100	100	100	100	100	100	100	100	100	100	100	100	100	100
480V	[kA]	65	65	65	65	65	65	65	65	65	65	65	65	30	30	30	30	30	30
600V	[kA]	25	25	25	25	25	25	25	25	25	25	25	25	10	10	10	10	10	10
Motor load																			
1 Phase	115V [HP]	-	-	-	-	-	-	-	1/8	1/4	1/3	1/2	1/2	1	1½	2	2	3	
	230V [HP]	-	-	-	-	-	1/10	1/6	1/3	1/2	1	1½	2	3	3	3	5	7½	
3 Phase	200V [HP]	-	-	-	-	-	-	1/2	3/4	1	2	2	3	3	5	7½	7½	10	
	230V [HP]	-	-	-	-	-	-	1/2	3/4	1½	2	3	3	5	7½	7½	10	10	
	460V [HP]	-	-	-	-	-	3/4	1	2	3	5	5	7½	10	15	15	20	30	
	575V [HP]	-	-	-	-	1/2	3/4	1½	3	5	5	7½	10	15	20	20	30	30	
Maximum rated current of fuse or breaker		[A]	500	500	500	500	500	500	500	500	500	500	500	500	500	500	500	500	500

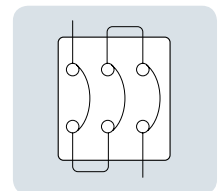
MMS 63H

Rated operational current I_e [A]		10	13	17	22	26	32	40	50	63	65
Max. short-circuit current											
240V	[kA]	100	100	100	100	100	100	100	100	100	100
480V	[kA]	65	65	50	50	50	50	50	50	50	50
600V	[kA]	25	25	10	10	10	10	10	10	10	10
Motor load											
1 Phase	115V [HP]	1/2	1/2	1	1½	2	2	3	3	5	5
	230V [HP]	1½	2	3	3	3	5	7½	10	10	10
3 Phase	200V [HP]	2	3	3	5	7½	7½	10	15	20	20
	230V [HP]	3	3	5	7½	7½	10	10	15	20	20
	460V [HP]	5	7½	10	15	15	20	30	30	40	40
	575V [HP]	7½	10	15	20	20	30	30	40	60	60
Maximum rated current of fuse or breaker		[A]	600	600	600	600	600	600	600	600	600

MMS 100H

Rated operational current I_e [A]		17	22	26	32	40	50	63	75	90	100
Max. short-circuit current											
240V	[kA]	100	100	100	100	100	100	100	100	100	100
480V	[kA]	65	65	65	65	65	65	50	50	50	50
600V	[kA]	25	25	25	20	20	20	10	10	10	10
Motor load											
1 Phase	115V [HP]	1	1½	2	2	3	3	5	5	7½	10
	230V [HP]	3	3	3	5	7½	10	10	15	20	20
3 Phase	200V [HP]	3	5	7½	7½	10	15	20	20	25	30
	230V [HP]	5	7½	7½	10	10	15	20	25	30	30
	460V [HP]	10	15	15	20	30	30	40	50	60	75
	575V [HP]	15	20	20	30	30	40	60	60	75	100
Maximum rated current of fuse or breaker		[A]	1000	1000	1000	1000	1000	1000	1000	1000	1000

In case of 1-phase use in series as shown below



Manual motor starters

Technical information

Manual motor controller (UL508)



MMS 32S

Rated operational current I_e [A]		0.16	0.25	0.4	0.63	1	1.6	2.5	4	6	8	10	13	17	22	26	32	40	
Max. short-circuit current																			
240V	[kA]	100	100	100	100	100	100	100	100	100	100	50	50	40	30	30	20	20	
480V	[kA]	50	50	50	50	50	50	50	50	25	25	10	10	10	10	7.5	7.5	7.5	
600V	[kA]	10	10	10	10	10	10	10	5	5	5	5	5	5	5	5	5	5	
Motor load																			
1 Phase	115V	[HP]	-	-	-	-	-	-	1/8	1/4	1/3	1/2	1/2	1	1½	2	2	3	
	230V	[HP]	-	-	-	-	1/10	1/6	1/3	1/2	1	1½	2	3	3	3	5	7½	
3 Phase	200V	[HP]	-	-	-	-	-	1/2	3/4	1	2	2	3	3	5	7½	7½	10	
	230V	[HP]	-	-	-	-	-	1/2	3/4	1½	2	3	3	5	7½	7½	10	10	
	460V	[HP]	-	-	-	-	3/4	1	2	3	5	5	7½	10	15	15	20	30	
	575V	[HP]	-	-	-	-	1/2	3/4	1½	3	5	5	7½	10	15	20	30	30	
Max. fuse size		[A]	1	1	1	1	3	6	10	15	20	30	40	50	60	80	100	125	150
Max. breaker size		[A]	15	15	15	15	15	15	15	20	30	40	50	60	80	100	125	150	

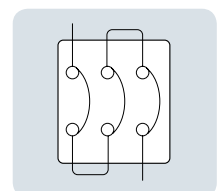
MMS 63S

Rated operational current I_e [A]		10	13	17	22	26	32	40	50	63	65
Max. short-circuit current											
240V	[kA]	100	100	100	100	100	100	100	100	100	100
480V	[kA]	25	25	25	25	25	25	25	25	25	25
600V	[kA]	10	10	10	10	10	10	10	10	10	10
Motor load											
1 Phase	115V	[HP]	1/2	1/2	1	1½	2	2	3	3	5
	230V	[HP]	1½	2	3	3	3	5	7½	10	10
3 Phase	200V	[HP]	2	3	3	5	7½	7½	10	15	20
	230V	[HP]	3	3	5	7½	7½	10	10	15	20
	460V	[HP]	5	7½	10	15	15	20	30	30	40
	575V	[HP]	7½	10	15	20	20	30	30	40	60
Max. fuse size		[A]	40	50	60	80	100	125	150	200	250
Max. breaker size		[A]	40	50	60	80	100	125	150	200	250

MMS 100S

Rated operational current I_e [A]		17	22	26	32	40	50	63	75	90	100
Max. short-circuit current											
240V	[kA]	100	100	100	100	100	100	100	100	100	100
480V	[kA]	25	25	25	25	25	25	25	25	25	25
600V	[kA]	10	10	10	10	10	10	10	10	10	10
Motor load											
1 Phase	115V	[HP]	1	1½	2	2	3	3	5	5	7½
	230V	[HP]	3	3	3	5	7½	10	10	15	20
3 Phase	200V	[HP]	3	5	7½	7½	10	15	20	20	25
	230V	[HP]	5	7½	7½	10	10	15	20	25	30
3 Phase	460V	[HP]	10	15	15	20	30	30	40	50	60
	575V	[HP]	15	20	20	30	30	40	60	60	75
Max. fuse size		[A]	60	80	100	125	150	200	250	300	350
Max. breaker size		[A]	60	80	100	125	150	200	250	300	350

In case of 1-phase use in series as shown below



MMS 32H



Rated operational current I_e [A]		0.16	0.25	0.4	0.63	1	1.6	2.5	4	6	8	10	13	17	22	26	32	40	
Max. short-circuit current																			
240V	[kA]	100	100	100	100	100	100	100	100	100	100	100	100	100	100	100	100	100	100
480V	[kA]	50	50	50	50	50	50	50	50	50	50	50	50	30	30	30	30	30	30
600V	[kA]	10	10	10	10	10	10	10	10	10	10	10	10	10	10	10	10	10	10
Motor load																			
1 Phase	115V [HP]	-	-	-	-	-	-	-	1/8	1/4	1/3	1/2	1/2	1	1½	2	2	3	
	230V [HP]	-	-	-	-	-	1/10	1/6	1/3	1/2	1	1½	2	3	3	3	5	7½	
3 Phase	200V [HP]	-	-	-	-	-	-	1/2	3/4	1	2	2	3	3	5	7½	7½	10	
	230V [HP]	-	-	-	-	-	-	1/2	3/4	1½	2	3	3	5	7½	7½	10	10	
	460V [HP]	-	-	-	-	-	3/4	1	2	3	5	5	7½	10	15	15	20	30	
	575V [HP]	-	-	-	-	1/2	3/4	1½	3	5	5	7½	10	15	20	20	30	30	
Max. fuse size		[A]	1	1	1	1	3	6	10	15	20	30	40	50	60	80	100	125	150
Max. breaker size		[A]	15	15	15	15	15	15	15	15	20	30	40	50	60	80	100	125	150

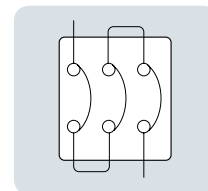
MMS 63H

Rated operational current I_e [A]		10	13	17	22	26	32	40	50	63	65	
Max. short-circuit current												
240V	[kA]	100	100	100	100	100	100	100	100	100	100	
480V	[kA]	50	50	50	50	50	50	50	50	50	50	
600V	[kA]	10	10	10	10	10	10	10	10	10	10	
Motor load												
1 Phase	115V [HP]	1/2	1/2	1	1½	2	2	3	3	5	5	
	230V [HP]	1½	2	3	3	3	5	7½	10	10	10	
3 Phase	200V [HP]	2	3	3	5	7½	7½	10	15	20	20	
	230V [HP]	3	3	5	7½	7½	10	10	15	20	20	
	460V [HP]	5	7½	10	15	15	20	30	30	40	40	
	575V [HP]	7½	10	15	20	20	30	30	40	60	60	
Max. fuse size		[A]	40	50	60	80	100	125	150	200	250	250
Max. breaker size		[A]	40	50	60	80	100	125	150	200	250	250

MMS 100H

Rated operational current I_e [A]		17	22	26	32	40	50	63	75	90	100	
Max. short-circuit current												
240V	[kA]	100	100	100	100	100	100	100	100	100	100	
480V	[kA]	50	50	50	50	50	50	50	50	50	50	
600V	[kA]	10	10	10	10	10	10	10	10	10	10	
Motor load												
1 Phase	115V [HP]	1	1½	2	2	3	3	5	5	7½	10	
	230V [HP]	3	3	3	5	7½	10	10	15	20	20	
3 Phase	200V [HP]	3	5	7½	7½	10	15	20	20	25	30	
	230V [HP]	5	7½	7½	10	10	15	20	25	30	30	
	460V [HP]	10	15	15	20	30	30	40	50	60	75	
	575V [HP]	15	20	20	30	30	40	60	60	75	100	
Max. fuse size		[A]	60	80	100	125	150	200	250	300	350	400
Max. breaker size		[A]	60	80	100	125	150	200	250	300	350	400

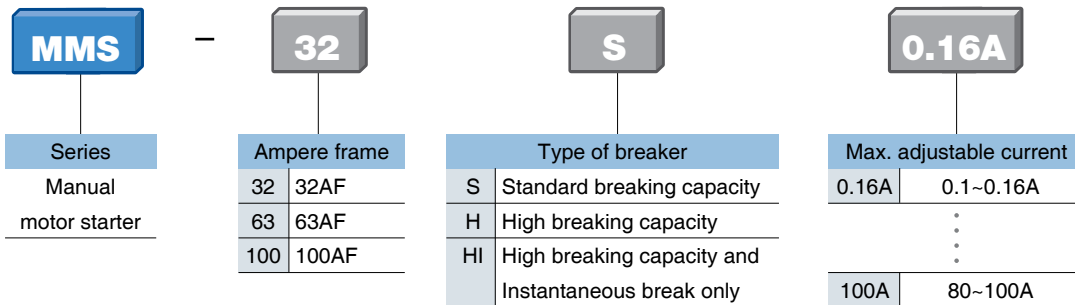
In case of 1-phase use in series as shown below



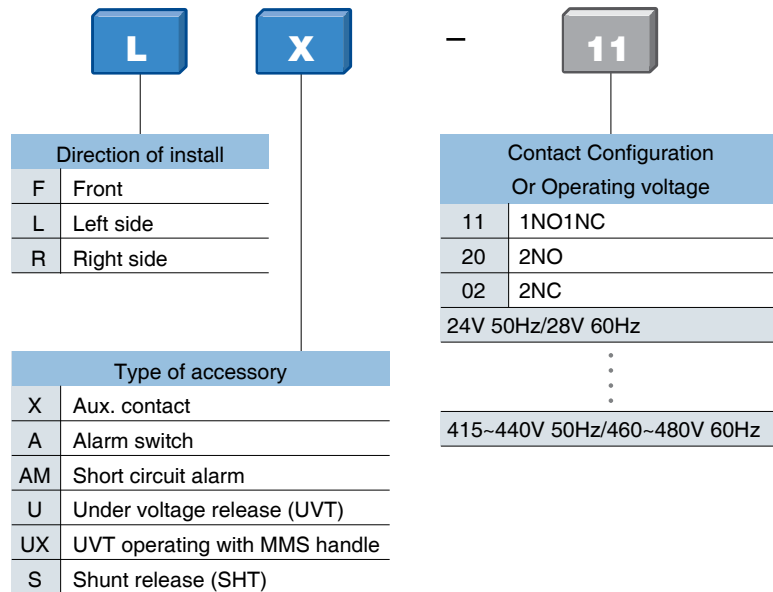
Manual motor starters

Numbering system

Numbering [Manual Motor Starter]










Catalog Numbering [Aux. contact, Alarm, Release unit]



Electronic motor protection relays

GMP Series

Ratings									
Model		GMP22-2P (1c)	GMP22-2P(1a1b)	GMP22-3P/3PR	GMP22-2S	GMP22-3S/3SR	GMP22-2T	GMP22-3T/3TR	
Type		Pin type			Screw type		Tunnel type		
No. of CT		2CT	2CT	3CT	2CT	3CT	2CT	3CT	
Protection	Overcurrent	●	●	●	●	●	●	●	
	Phase failure ^{Note 1)}	●	●	●	●	●	●	●	
	Lock/Stall	●	●	●	●	●	●	●	
	Phase unbalance	-	-	●	-	●	-	●	
	Reverse phase	-	-	●(3PR)	-	●(3PR)	-	●(3PR)	
Current setting range (A)		0.3~1.5, 1~5, 4.4~22							
Operating time characteristics		Inverse time (GMP22-2PD: Definite time)							
Time setting (sec)	Inverse time	0~30 sec							
	Definite D-time	0.2~60 sec for GMP22-2PD							
		O-time	5sec (Fixed) for GMP22-2PD						
	Reset-time	Manual reset							
Tolerance	Current	±5%							
	Time	±5%(or±0.5sec)							
Control power	Voltage	AC 110V/220V(±10%)		AC 100~260V(±10%)					
	Frequency	50/60Hz							
Aux. contact	Contact ^{Note 3)}	1SPDT (1c)		2SPST (1a1b)					
	Ratings	5A/250VAC Resistive load		3A/250VAC Resistive load					
	Operate	(95 † 96 Close)		(95 † 96 Close)		(97 † 98 Open)			
Insulation resistance		Min 100MΩ at 500Vdc							
Surge endurance (IEC 61000-4-5)		5kV Apply the standard wave							
Fast transient burst (IEC 61000-4-4)		2kV							
Environment	Operation	-25~70°C							
Temperature	Storage	-30~80°C							
	Relative humidity	30~90%RH(No freezing)							
Trip indicator		Red LED		Red/Green LED		Red LED	Red/Green LED	Red LED	Red/Green LED
Dimension	W×H×D inch (mm)	1.73×2.80×3.07 (44×71×78)		2.09×3.07×3.44 (53×78×87.5)		2.87×2.68×3.44 (53×68×87.5)		2.09×1.50×3.44 (53×38×87.5)	
		Direct mount onto a Metasol MC (MC-9b-22b)				Separate mount (Screw or Din-rail) ^{Note 2)}			
Certification		UL, cUL, CE							






Note) 1. When it is 2CT model, only two-phase protection is available

2. The bracket for Din-rail mount is optional

3. When power applied Aux. contact operate

Electronic motor protection relays

GMP Series

Ratings												
Model			GMP40-2P	GMP40-3P/3PR	GMP40-2S	GMP40-3S/3SR	GMP40-2T	GMP40-3T/3TR	GMP80-2S	GMP80-3S/3SR	GMP60T	GMP60TE
Type			Pin type *		Screw type		Tunnel type		Screw type		Tunnel type	
No. of CT			2CT	3CT	2CT	3CT	2CT	3CT	2CT	3CT	2CT	
Protection	Overcurrent		●	●	●	●	●	●	●	●	●	
	Phase failure ^{Note 1)}		●	●	●	●	●	●	●	●	●	
	Lock/Stall		●	●	●	●	●	●	●	●	●	
	Phase unbalance		-	●	-	●	-	●	-	●	-	
	Reverse phase		-	●(3PR)	-	●(3PR)	-	●(3PR)	-	●(3PR)	-	
Current setting range(A)			4~20, 8~40						16~80		0.5~6, 3~30, 5~60	
Operating time characteristics			Inverse time characteristics, Definite (GMP-PD Type)									Definite
Time setting (sec)	Inverse time		0~30 sec									-
	Definite	D-time	0.2~60 sec (GMP40-2PD)									0.2~30 sec
		O-time	5sec (Fixed) (GMP40-2PD)									0.2~30 sec 5 sec (Fixed)
	Reset time		Manual reset (Auto Reset type : GMP□-A)									- GMP-TA
Tolerance	Current		±5%									±5%
	Time		±5% (or±0.5 sec)									±5% (or±5 sec)
Control power	Voltage ^{Note 3)}		AC 100~260V									AC 110V/260V
	Frequency		50/60Hz									50/60Hz
Aux. contact	Contact ^{Note 4)}		2SPST (1a1b)									1SPDT (1c)
	Ratings		3A/250VAC Resistive load									1A/250VAC Resistive load
	Operate		(95 ↓† 96 Close)			(97 †† 98 Open)						-
Insulation resistance			Min 100MΩ at 500Vdc									Min 100MΩ at 500Vdc
Surge endurance (IEC 61000-4-5)			5kV Apply the standard wave									5kV Apply the standard wave
Fast transient burst (IEC 61000-4-4)			2kV									2kV
Environment	Operation		-25~70°C									-25~70°C
	Storage		-30~80°C									-30~80°C
Temperature	Storage		-30~80°C									-30~80°C
	Relative humidity		30~90%RH (No freezing)									30~90%RH (No freezing)
Trip indicator			Red LED	Red/Green LED	Red LED	Red/Green LED	Red LED	Red/Green LED	Red LED	2Red LEDs	Red LED	
	Dimension	W×H×D inch (mm)	2.09×3.07×3.44 (53×78×87.5)		2.09×2.68×3.44 (53×68×87.5)		2.09×2.68×3.44 (53×38×87.5)		3.50×3.05×3.83 (89×77.5×97.4)		2.83×2.64×2.72 (72×67×69)	
Mounting type			Direct mount onto a Metasol MC (MC-32a, 40a)		Separate mount (Screw or Din-rail)						Separate mount (Screw or Din-rail)	
Certification			UL, cUL, CE									

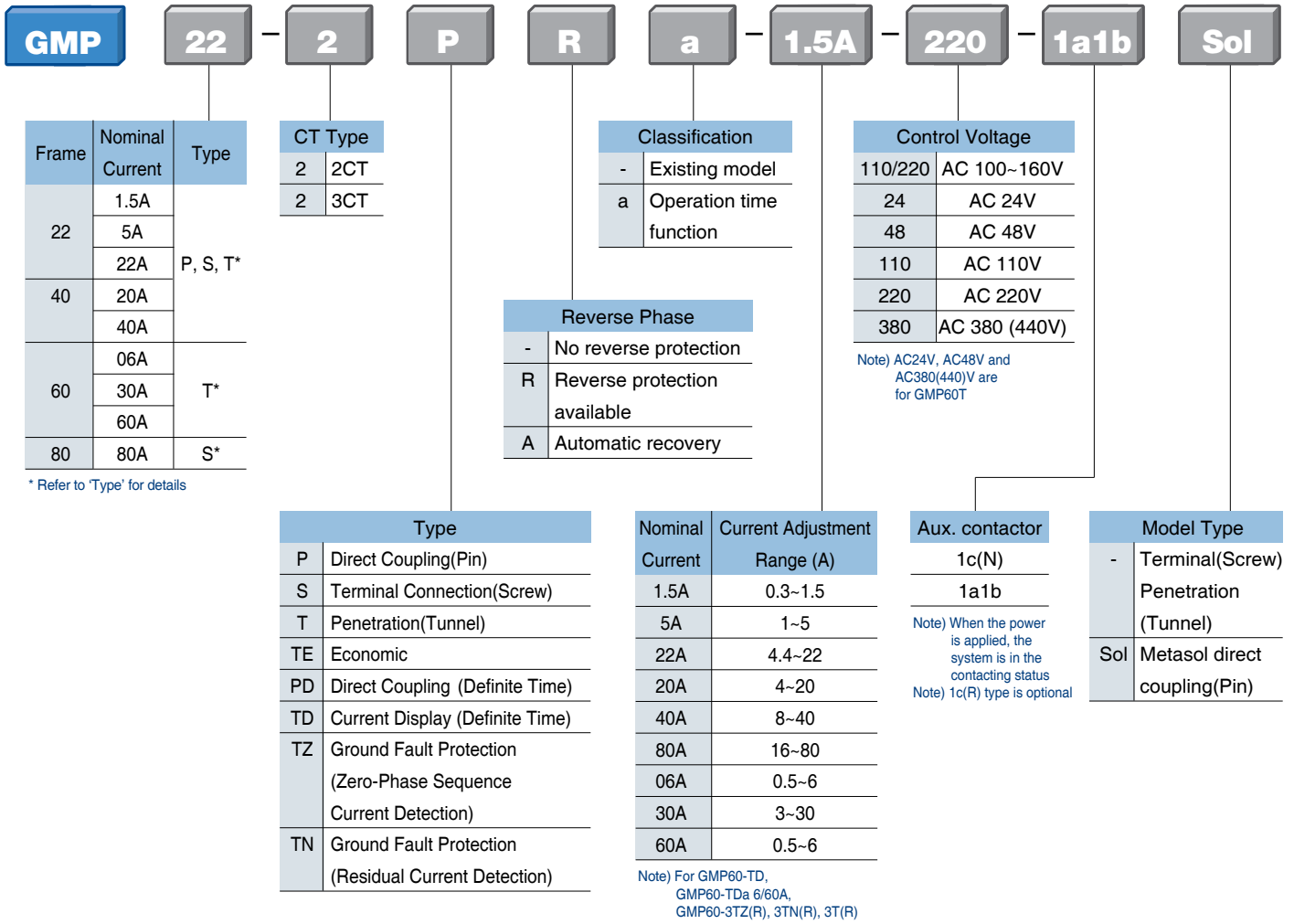
Note) 1. When it is 2CT model, only two-phase protection is available.

2. GMP60T/TE: AC24V, 48V or 380V, 50/60Hz types a option.

3. When power applied the Aux. contact operate.

Numbering system

GMP series - ordering



Electronic motor protection relays

DMP Series

Ratings					
		<i>DMP06-S/SZ/SI</i>	<i>DMP60-Sa/SZa</i>	<i>DMP06-T/TZ/TI</i>	<i>DMP60-Ta/TZa</i>
Wiring		Screw type		Tunnel type	
Panel mount		Unit or Extension ^{Note 1)}		Unit or Extension ^{Note 1)}	
Operation time		Inverse/Definite		Inverse/Definite	
Protection	Over current	According to the setting time		According to the setting time	
	Phase failure	3 sec		3 sec	
	Reverse phase	Within 0.1 sec		Within 0.1 sec	
	Lock/Stall	Within 0.5 sec		Within 0.5 sec	
	Phase unbalance	5 sec		5 sec	
	Under current	3 sec		3 sec	
	Ground fault	Within 0.05~1 sec. (DMP□-Z/Za)		Within 0.05~1 sec. (DMP□-T/Ta)	
	Short circuit	Within 50ms (DMP□-SI)		Within 50ms (DMP□-TI)	
	Alarm		Variable (60~110% of the setting current)		Variable (60~110% of the setting current)
Current setting range (A)		6: 0.5~6A, 60: 5~60A		6: 0.5~6A, 60: 5~60A	
Time setting (sec)	Definite D time	0~60 sec		0~60 sec	
	O time	0~30 sec		0~30 sec	
	Inverse time	0~60 sec		0~60 sec	
	A time (Reset)	Manual reset		Manual reset	
Tolerance	Current	±5%		±5%	
	Time	±5% (or±0.5 sec)		±5% (or±0.5 sec)	
Operating power	Voltage	AC 110V or 220V, 50/60Hz		AC 110V or 220V, 50/60Hz	
Aux. contact		S, SI Type: 2a1b, SZ Type: 2a, 1a1b, 2b		T, TI Type: 2a1b, TZ Type: 2a, 1a1b, 2b	
Insulation resistance		Over DC 500V 100MΩ		Over DC 500V 100MΩ	
Surge impulse voltage (IEC 61000-4-5)		5kV		5kV	
Fast transient burst (IEC 61000-4-4)		2kV		2kV	
Environment	Operation	-25~70℃		-25~70℃	
	Storage	-30~80℃		-30~80℃	
Temperature	Relative humidity	30~90% RH (No freezing)		30~90% RH (No freezing)	
	Display	7-Segment		7-Segment	
Display	Bar-Graph	Cause of a fault, Current		Cause of a fault, Current	
	Bar-Graph	60~110% of real load current		60~110% of real load current	
Mounting type		35mm Din-rail/Panel		35mm Din-rail/Panel	
Certification		UL, cUL, CE (Except DMP36 type), KR, LR, ABS			

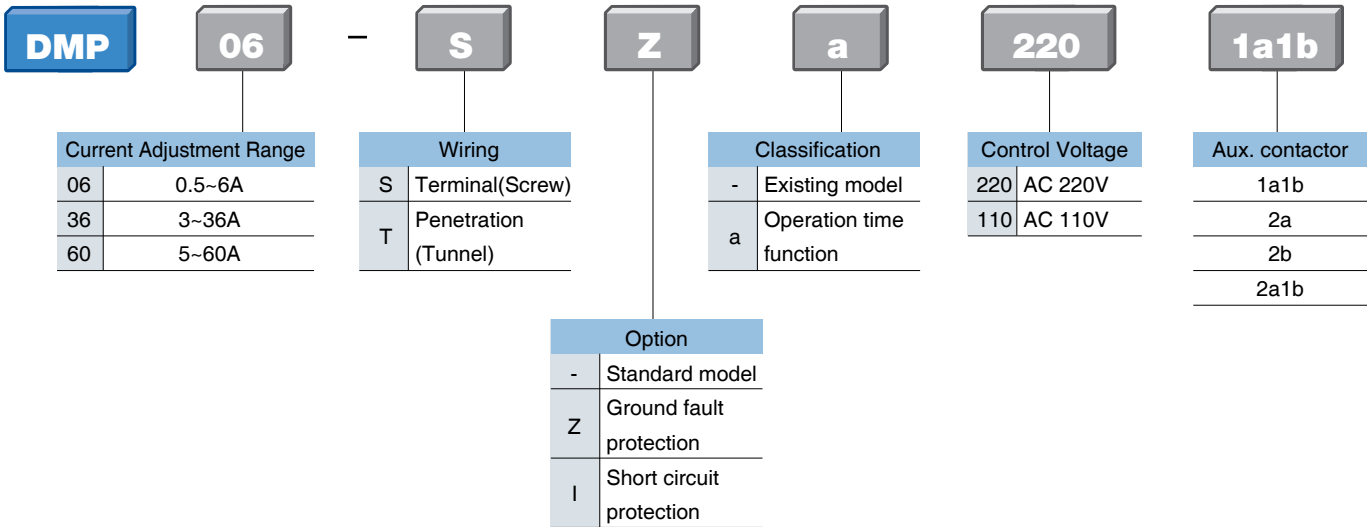
Note) 1. In extension type, the digital EMPR is calibrated with combining the display part and main body so, please cautious not to combine the display part and main body with different part No.

2. Zero current sensing by zero sequence CT and Residual circuit.

3. DMP-a Type option : Operating time, Fault event save, 3phase current Ampere meter Function

Numbering system

DMP series - Ordering



Aux. contact		95-96	97-98	07-08
SE - standard		b(OL) *	a(OL)	a(AL)
SEZ - ground fault protection	2a	a(OL)	a(GR)	ZCT input
	2b	b(OL)	b(GR)	
SEI - short circuit protection		b(OL) *	a(OL)	a(SR)

* Contact *I when power applied

Electronic motor protection relays

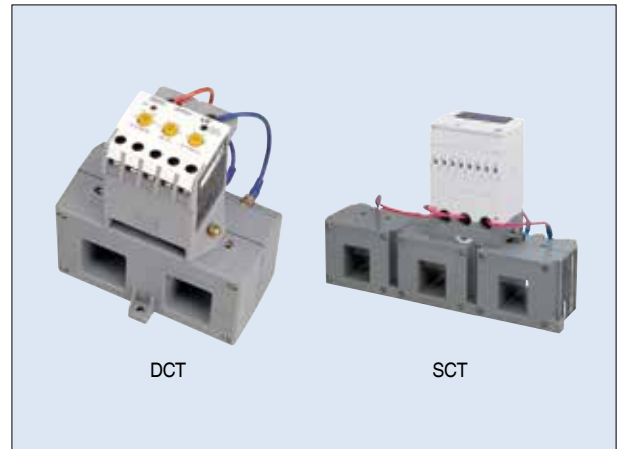
Accessories

CT, ZCT, Cable and Terminal

CT Ratings

Type	2CT	3CT	
CT ratio	100 : 5A	DCT-100	
	150 : 5A	DCT-150	SCT-150
	200 : 5A	DCT-200	SCT-200
	300 : 5A	DCT-300	SCT-300
	400 : 5A	DCT-400	SCT-400
Class	1.0		
Burden	5VA		
Insulation voltage	600VAC		
Insulated impulse voltage	2kV		
Insulation resistance	10MΩ(DC 500V Megger)		
Mounting	Panel		

Note) Please use DCT for LS Electronic Motor Protection Relay only.

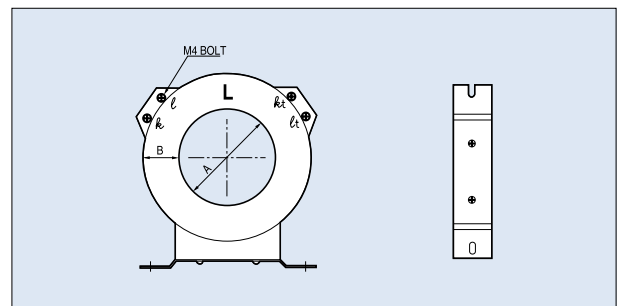


DCT

SCT

ZCT (Zero Sequence CT) Ratings

Type	Diameter (A)	Ratio	Diameter (A)
LZT-030	30	0.5	100mA/40~55mV
LZT-050	50	0.7	
LZT-065	65	0.9	200mA/100mV
LZT-080	80	1.5	



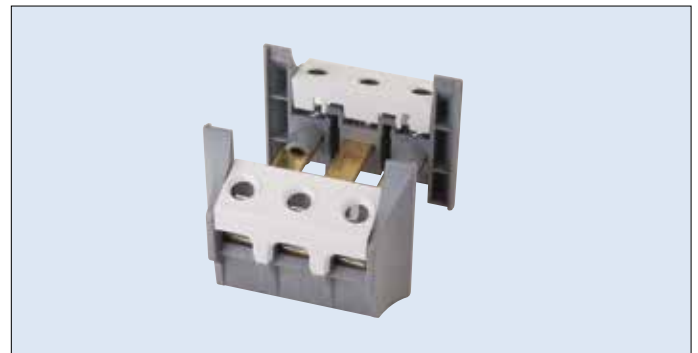
Cable



Applicable Type	DMP, IMP Series
Spec.	1m, 1.5m, 2m, 3m, 4m

* Panel mount: Extension cable

Terminal Block



Applicable Type	DMP Series, GMP60-3T, 3TZ, 3TN
Spec.	60A bellow

Vacuum Circuit Breakers

Susol VCB Series

4.76/15kV 25/31.5kA 1200/2000A

VL-05/15



Item			VL-05□25, 32□12, 20				VL-15□25, 32□12, 20			
Rated voltage	Ur (kV)		4.76				15			
Rated current	Isc (kA)		1200	2000	1200	2000	1200	2000	1200	2000
Pole distance	(mm)		150	210	150	210	150	210	150	210
Weight(H, Cradle)	(kg)		430	510	430	510	430	510	430	510
Weight(H, Circuit Cradle)	(kg)		115	140	115	140	115	140	115	140
Weight(P, Circuit Cradle)	(kg)		85	130	85	130	85	130	85	130
Rated frequency	fr (Hz)		60							
Rated interrupting current	Ik (kA)		25	31.5	25	31.5	25	31.5	25	31.5
Rated interrupting capacity	(MVA)		207	260	207	260	650	820	650	820
Rated short-time current	Ik/tk (kA)		31.5/2s							
Rated making current	Ip (kA)		81.9							
Rated interrupting time	(cycle)		3							
Withstand	Frequency	Ud (kV)	19				95			
	Voltage Impulse	Ud (kV/1.2×50μs)	60				95			
Operating duty			O-0.3s-CO-3min-CO							
Rated Closing Control voltage	(V)		DC 24~30V, DC 48~60V, DC110V, DC125V, DC220V, AC 48V, AC100~130V, AC220~250V							
Rated Trip Control voltage	(V)		DC 24~30V, DC 48~60V, DC110V, DC125V, DC220V, AC 48V, AC100~130V, AC220~250V							
Standard aux. contacts			4a4b, 10a10b							
Rated opening time	(s)		0.04							
No-load closing time	(s)		0.06							
Mechanical Endurance	(Operations)		10,000							
Electrical Endurance			Reference Standard							
Capacitive current switching			C2							
Life time	Electrical	(Operations)	Reference Electrical Life Graph							
Installation	Fixed		P Type							
	Draw-out		H Type							
Applicable standard			IEEE Std C37.09, IEEE Std C37.20.2, ANSI C37.54, ANSI C37.55							

* Lifetime with maintenance.

** H type is a box type cradle with CB compartment style structure.

Vacuum Circuit Breakers

Numbering system

4.76/15kV 25/31.5kA 1200/2000A

Breaker

VL	15	H	32	A	20
Basic model name	Rated voltage (kV)	Version	Interrupting current (kA)	Phase distance/Compatibility	Rated current (A)
VL Susol VCB	05 4.76 15 15	P Fixed H H type drawout (for MESH)	25 25 32 31.5	A 150 B 210	12 1200A 20 2000A

* A is for 1200A only
B is for 2000A only

M1	C1	T1	SB2	U1	A	147
Motor control voltage	Closing coil voltage	Trip coil voltage	Connector and wire	UVT	Other accessories ^{Note)}	
M0 motor none M1 DC 110V M2 DC 220V M3 DC 125V M4 DC 24V~30V M5 AC 48V~60V M6 AC 48V M7 AC 100V~130V M8 AC 200V~250V	C0 Without closing coil C1 DC 110V C2 DC 220V C3 DC 125V C4 DC 24V~30V C5 DC 48V~60V C6 AC 48V C7 AC 100V~130V C8 AC 200V~250V	T0 Trip Coil none T1 DC 110V T2 DC 220V T3 DC 125V T4 DC 24V~30V T5 AC 48V~60V T6 AC 48V T7 AC 100V~130V T8 AC 200V~250V	SA2 A type connector, 4a4b SA4 A type connector, 10a10b SB2 B type connector, 4a4b SA4 B type connector, 10a10b DA1 Dummy A type connector DB1 Dummy B type connector SB6 B type connector, 4a4b DA1 Dummy A type connector DB1 Dummy B type connector	U0 UVT none U1 DC 110V U2 DC 220V U3 DC 125V U4 DC 24V~30V U5 AC 48V~60V U6 AC 48V U7 AC 100V~130V U8 AC 200V~250V	A1 Secondary Trip coil A2 Secondary Trip Coil with TCS Contact A3 Position s/w(Test:1a1b,Service:2b) A4 Position s/w(Test:2a,Service:2a) A5 Position s/w(Test:1a1b,Service:1a1b) A6 Latch checking s/w A7 Keylock A8 Button Padlock A9 Button cover AA Lead Wire AB User Plug(Part) AC Plug Interlock AD Padlock(H type) AE MOC AF Locking Magnet AJ Door Interlock AO Lead Wire Special Color(Blue) AP Truck removed AR 3 Position AS Back to back switching AT Low Energy Trip Device 25mJ AU Low Energy Trip Device 100mJ AV CT operated coil 1A AW CT operated coil 5A	

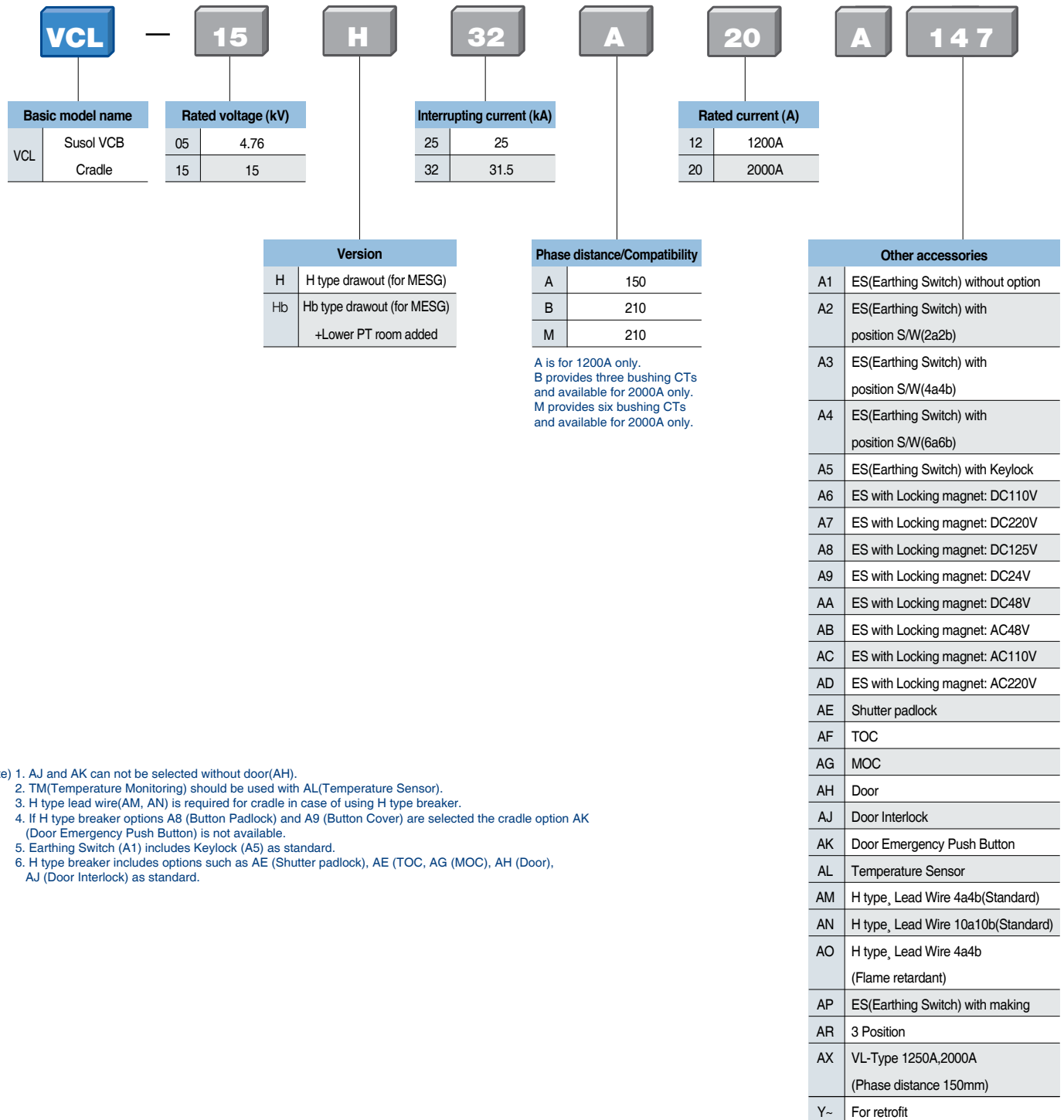
Note)

- In the case of selecting accessories such as A1(Secondary coil), A4(position S/W 2a2a), A7(key lock), A147 is type name in the ordering.
- Unable to select A1(Secondary Trip Coil), U1~U8(UVT) simultaneously.
- A3(Position S/W 1a3b), A4(Position S/W 2a2b) and A5(Position S/W 2a2b) can not be selected simultaneously.
- A8(Button Padlock) and A9(Button Cover) can not be selected simultaneously.
- When A1(Secondary Trip Coil) is selected the maximum available auxiliary contacts are 9a9b.
- When A2(Secondary Trip Coil with TCS Contact) is selected the maximum available auxiliary contacts are 4a3b, 9a8b.
- The flame retardant wire is applicable to auxiliary contacts 4a4b, not to 10a10b.
- Locking magnet of breaker use the same control power supply as motor.
- In case of UL Type, AC(Plug Interlock), AD(Padlock(H type)) and AE(MOC) are included as standard.

Numbering system

4.76/15kV 25/31.5kA 1200/2000A

Cradle



- Note) 1. AJ and AK can not be selected without door(AH).
 2. TM(Temperature Monitoring) should be used with AL(Temperature Sensor).
 3. H type lead wire(AM, AN) is required for cradle in case of using H type breaker.
 4. If H type breaker options A8 (Button Padlock) and A9 (Button Cover) are selected the cradle option AK (Door Emergency Push Button) is not available.
 5. Earthing Switch (A1) includes Keylock (A5) as standard.
 6. H type breaker includes options such as AE (Shutter padlock), AE (TOC, AG (MOC), AH (Door), AJ (Door Interlock) as standard.

Vacuum Circuit Breakers

Susol VCB Series

27kV 25kA 1200/2000A

VH-27



Item		VH-27 25 12	VH-27 25 20
Rated voltage	Ur (kV)		27
Rated short-circuit current	Isc (kA)		25
Rated normal current	Ir (A)	1200	2000
Rated withstand voltage	Power frequency (1 min)	Ud (kV)	60
	Impulse (1.2 × 50 μ s)	Up (kV)	150
Rated frequency	fr (Hz)		60
Rated short-circuit making current	Ip (kA)		65
Rated short-time withstand current	Ik/tk (kA/s)		25/2
Rated breaking time	(cycle)		3
Rated operating sequence			O-0.3s-CO-3min-CO
Control voltage	Closing coil	(V)	DC 125V
	Trip coil	(V)	DC 125V
Auxiliary contacts	Point of contacter		4a4b, 10a10b
	Class		Class 1
Trip coil resistance	(Ω)		37 ± 10%
Closing coil resistance	(Ω)		37 ± 10%
Rated short-circuit breaking capacity	(MVA)		1169
Rated opening time	(sec)		≤ 40
No-load closing time	(sec)		≤ 60
VI stroke	(mm)		17~18
Weight	Breaker	(kg)	400
	Cradle	(kg)	400

* Lifetime with maintenance.

** H type is a box type cradle with CB compartment style structure.

Numbering system

27kV 25kA 1200/2000A

Breaker

VH	27	H	25	E	12
Basic model name	Rated voltage (kV)	Version	Interrupting current (kA)	Phase distance/Compatibility	Rated current (A)
VH Susol VCB	27 27	H H type drawout (for MCSG)	25 25	E 300mm	12 1200A

VH-06H50B32	M1	C1	T1	SB2	U1	A	147
	Motor control voltage		Trip coil voltage		UVT		
	M0 Without motor		T0 Without trip coil		U0 Without UVT		
	M1 DC 110V		T1 DC110V		U1 DC 110V		
	M2 DC 220V		T2 DC220V		U2 DC 220V		
	M3 DC 125V		T3 DC125V		U3 DC 125V		
	M5 DC 48V		T5 DC48V		U5 DC 48-60V		
	M6 AC 48V		T6 AC 48V		U6 AC 48V		
	M7 AC 110V		T7 AC 110V		U7 AC 110V		
	M8 AC 220V		T8 AC 220V		U8 AC 220		

Closing coil voltage	
C0	Without closing coil
C1	DC 110V
C2	DC 220V
C3	DC 125V
C5	DC 48V
C6	AC 48V
C7	AC 110V
C8	AC 220V

Connector and wire		
SB2	Standard	B type connector, 4a4b
SB4		B type connector, 10a10b
SB6	Flame retardant	B type connector, 4a4b

Other accessories ^{Note)}	
A1	Secondary Trip coil
A4	Position s/w(2a2a)
A5	Position s/w(2a2b)
A6	Latch checking s/w
A7	Keylock
A8	Button Padlock
A9	Button cover
AA	Lead Wire
AB	User Plug(Part)
AC	Plug Interlock
AD	Padlock(H type Door Interlock)
AE	MOC
AF	Locking Magnet
AG	ANSI type Charge interlock
AP	Trip Coil Monitoring Contact

Note)

- If A2 (UVT), A4 (Position S/W 2a2b) and A7 (Keylock) are selected, A247 is the type name in the ordering.
- A1 (Secondary Trip Coil) and A2 (UVT) can not be selected simultaneously.
- A4 (Position S/W 2a2a) and A5 (Position S/W 2a2b) can not be selected simultaneously.
- A8 (Button Padlock) and A9 (Button Cover) can not be selected simultaneously.
- AC (Plug interlock), AD (H type Door interlock), AE (MOC) and AF (Locking magnet) are available only for H type.
- In case of B-type connector the flame retardant wire is applicable to auxiliary contacts 4a4b, not to 10a10b.
- Locking magnet can be applied only to H type VCB - breaker and cradle.
- Locking magnet of H type breaker use the same control power supply as motor.
- A-type connector is applicable to P/E/F/G type and B-type connector to H type.
- In case of selecting UVT A6 (Latch checking S/W) is not allowed. A6 (Latch checking S/W) is installed by default to make electrical interlock with UVT.
- Lead wire is enclosed in the breaker in case of ordering fixed type or H type breaker without cradle, installed of cradle in case of ordering the breaker with cradle. If user plug is selected it will be enclosed in the breaker.

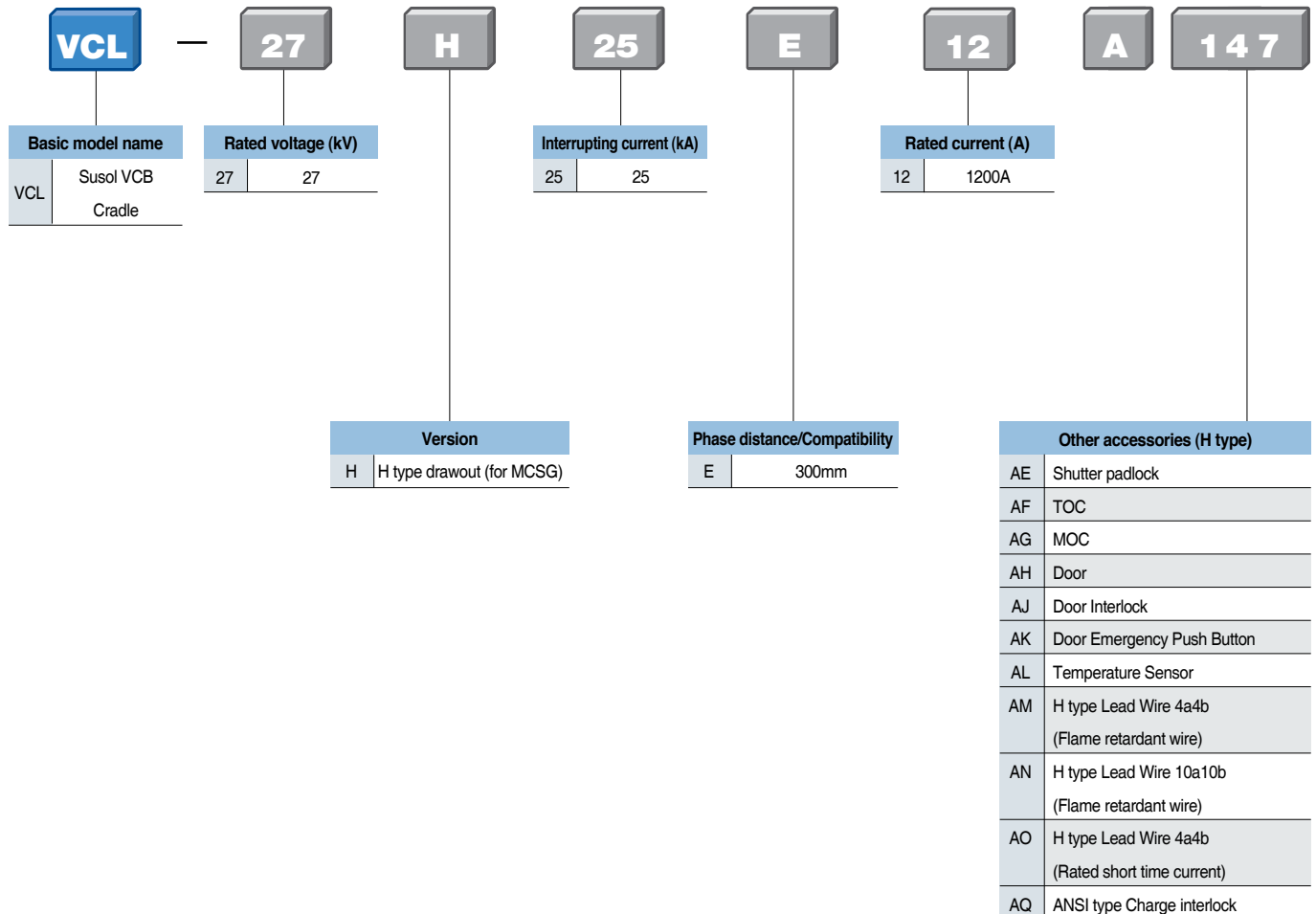
Note) A is written only once in case of more than one.

Vacuum Circuit Breakers

Numbering system

27kV 25kA 1200/2000A

Cradle



- Note) 1. These accessories for cradle and TM can be applied only to H type.
 2. AJ and AK can not be selected without door (AH).
 3. TM (Temperature Monitoring) should be used with AL (Temperature Sensor).
 4. H type lead wire - one of AM, AN or AO is required for cradle in case of H type breaker.

Note) A is written only once in case of more than one.

Susol VCB Series

4.76/15kV 40/50kA 1250/2000/3150A

VH-05/15



Item			VH-05H50C12/20/30			VH-15H40,50C12/20/30		
Rated voltage	Ur (kV)		4.76			15		
Rated normal current	Ir (A)		1250	2000	3150	1250	2000	3150
Rated frequency	fr (Hz)		50/60					
Rated short-circuit current	Isc (kA)		50			40, 50		
Rated short-time withstand current	Ik/tk (kA/s)		50/2			40/2, 50/2		
Rated short-circuit breaking capacity	(MVA)		412			1039, 1299		
Rated short-circuit making current	Ip (kA)		2.5 × Isc (50Hz)/2.6 × Isc (60Hz)					
Rated breaking time	(Cycle)		3					
Rated withstand voltage	Power frequency (1 min)	Ud (kV)	19			36		
	Impulse (1.2 × 50 μ s)	Up (kV)	60			95		
Rated operating sequence			O-0.3s-CO-3min-CO					
Control voltage	Closing coil	(V)	DC 125V					
	Trip coil	(V)	DC 125V					
Auxiliary contacts *			3a3b					
Rated opening time	(sec)		≤ 0.04					
No-load closing time	(sec)		≤ 0.06					
Lifetime	Mechanical		10,000					
	Electrical		See graph					
Installation version	Drawout		H type (for MESG)					
Phase distance	(mm)		254					
Weight	Breaker (MESG, MCSG)	(kg)	230	230	265	230	230	265
	Cradle (MESG, MCSG)	(kg)	248	248	286	248	248	286
Applicable standard			ANSI/IEEE Std. C37.09, KEPIC EED 1100					

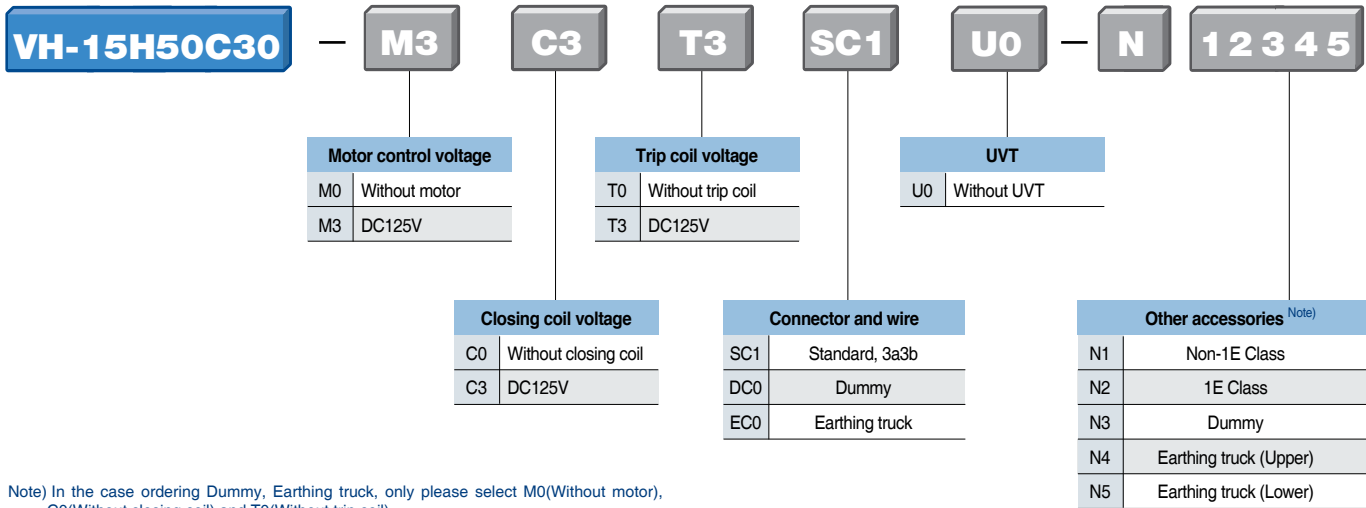
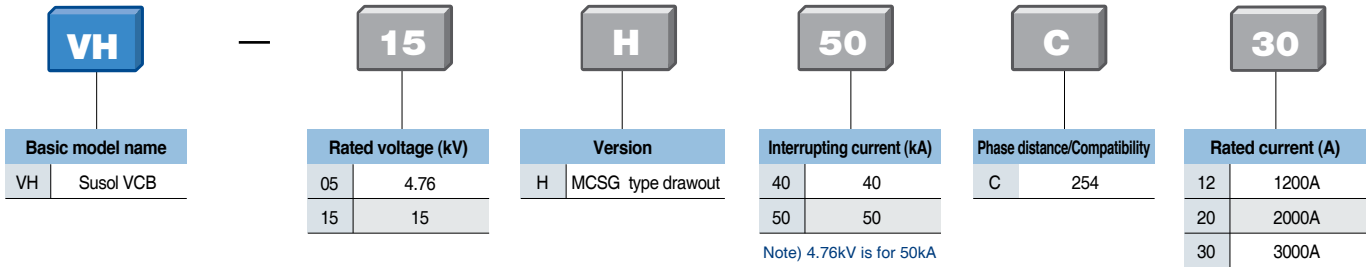
* Two(2) "Early b" auxiliary contact is provided.

Vacuum Circuit Breakers

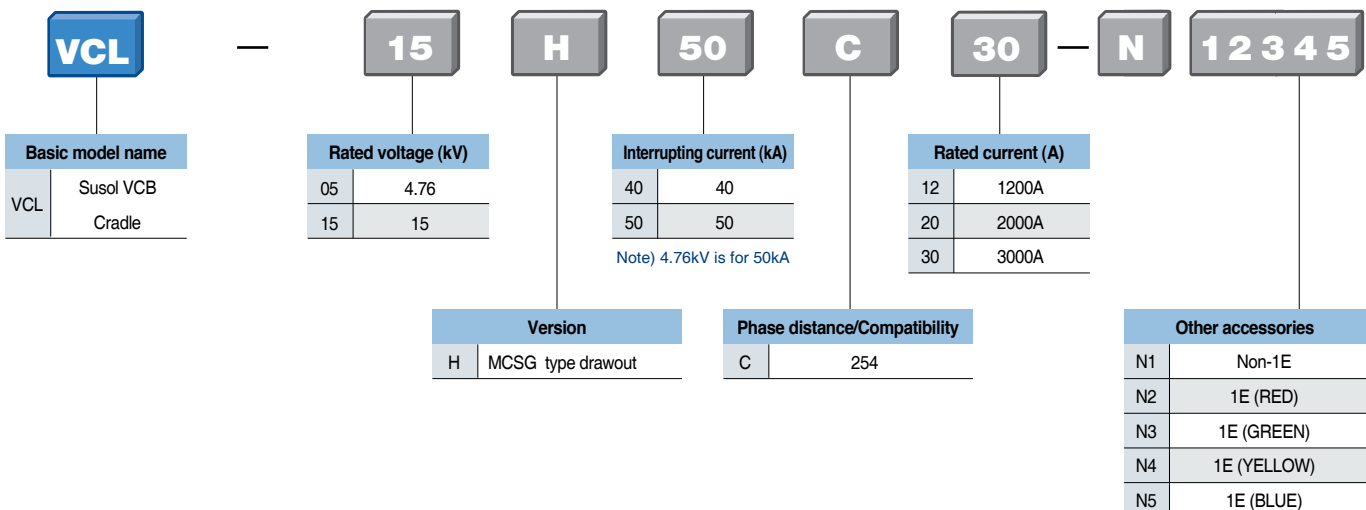
Numbering system

4.76/15kV 40/50kA 1250/2000/3150A

Breaker



Cradle



FUTURING SMART ENERGY



Safety Instructions

- For your safety, please read user's manual thoroughly before operating.
- Contact the nearest authorized service facility for examination, repair, or adjustment.
- Please contact a qualified service technician when you need maintenance.
Do not disassemble or repair by yourself!
- Any maintenance and inspection shall be performed by the personnel having expertise concerned.

LSIS Co., Ltd.

© 2013.3 LSIS Co.,Ltd. All rights reserved.

www.lsis.com

■ HEAD OFFICE

LS-ro 127 (Hogye-dong) dongan-gu Anyang-si
Gyeonggi-do Korea
Tel. (82-2)2034-4887, 4873, 4148
Fax. (82-2)2034-4648

■ CHEONG-JU PLANT

Cheong-Ju Plant #1, Song Jung Dong, Hung Duk Ku,
Cheong Ju, 361-720, Korea

LSIS USA INC. / CHICAGO BRANCH
2000 MILLBROOK DRIVE
LINCOLNSHIRE, IL 60069

TEL. 847-941-8240~59
FAX. 847-941-8259

Customer Care: customer.care.us@lsis.com

Sales: sales.us@lsis.com

Tech Support: tech.support.us@lsis.com

Specifications in this catalog are subject to change without notice due to continuous product development and improvement.

■ Global Network

- **LSIS USA Inc. Chicago, America**
Address: 2000 Millbrook Drive, Lincolnshire, Chicago, IL 60069, United States of America
Tel: 847-941-8240 Fax: 847-941-8259 e-mail: seungheonc@lsis.com
- **LSIS (Middle East) FZE Dubai, U.A.E.**
Address: LOB 19 JAFZA VIEW TOWER Room 205, Jebel Ali Freezone P.O. Box 114216, Dubai, United Arab Emirates
Tel: 971 4 886 5360 Fax: 971 4 886 5361 e-mail: hschoib@lsis.com
- **LSIS Europe B.V. Schiphol-Rijk, Netherlands**
Address: 1st Floor, Tupolevlaan 48, 1119NZ, Schiphol-Rijk, The Netherlands
Tel: 31-20-654-1420 Fax: 31-20-654-1429 e-mail: junshickp@lsis.biz
- **LSIS-VINA Co., Ltd. Hanoi, Vietnam**
Address: Nguyen Khe - Dong Anh - Ha Noi - Viet Nam
Tel: 84-4-882-0222 Fax: 84-4-882-0220 e-mail: sjbaik@lsis.biz
- **LSIS-VINA Co., Ltd. Hochiminh, Vietnam**
Address: 41 Nguyen Thi Minh Khai Str. Yoco Bldg 4th Floor, Hochiminh City, Vietnam
Tel: 84-8-3822-7941 Fax: 84-8-3822-7942 e-mail: hjchoid@lsis.biz
- **LSIS Gurgaon Office Gurgaon, India**
Address: 109 First Floor, Park Central, Sector-30, Gurgaon- 122 002, Haryana, India
Tel: +0091-124-493-0070 Fax: 91-1244-930-066 e-mail: hwjim@lsis.biz
- **LSIS Japan Co., Ltd. Tokyo, Japan**
Address: Toyokurakubu Bldg. 13th floor, 3-2-6, Kasumigaseki, Chiyoda-ku, Tokyo, 100-0013 Japan
TEL:+81-3-6268-8241 FAX:+81-3-6268-8240 e-mail: jschuna@lsis.biz
- **LSIS Shanghai Office Shanghai, China**
Address: Room 32 floors of the Great Wall Building, No. 3000 North Zhongshan Road, Putuo District, Shanghai, China
Tel: 86-21-5237-9977 Fax: 89-21-5237-7189 e-mail: mkleea@lsis.com
- **LSIS Beijing Office Beijing, China**
Address: B-Tower 17FL, Beijing Global Trade Center B/D, No.36, BeiSanHuanDong-Lu, DongCheng-District, Beijing 100013, P.R. China
Tel: 86-10-5825-6025,7 Fax: 86-10-5825-6026 e-mail: sunmj@lsis.com.cn
- **LSIS Guangzhou Office Guangzhou, China**
Address: Room 1403, 14/F, New Poly Tower, No.2 Zhongshan Liu Road, Guangzhou 510180, P.R. China
Tel: 020-8326-6754 Fax: 020-8326-6287 e-mail: chenxs@lsis.com.cn
- **LSIS Chengdu Office Chengdu, China**
Address: Room 1701 17Floor, huamin hanjun international Building, No1 Fuxing Road Chengdu, 610016, P.R. China
Tel: 86-28-8670-3201 Fax: 86-28-8670-3203 e-mail: yangcf@lsis.com.cn
- **LSIS Qingdao Office Qingdao, China**
Address: Room 2001,20/F,7B40, Galaxy Building, No.29 Shandong Road, Shinan District, Qingdao 266071, P.R. China
Tel: 86-532-8501-6058 Fax: 86-532-8501-6057 e-mail: htroh@lsis.biz
- **LSIS (Wuxi) Co., Ltd. Wuxi, China**
Address: 102-A, National High & New Tech Industrial Development Area, Wuxi, Jiangsu, 214028, P.R.China
Tel: 86-510-8534-6666 Fax: 86-510-522-4078 e-mail: wangzy@lsis.com.cn
- **Dalian LSIS Co., Ltd. Dalian, China**
Address: No.15, Liaohexi 3-Road, Economic and Technical Development zone, Dalian 116600, China
Tel: 86-411-8273-7777 Fax: 86-411-8730-7560 e-mail: tangyh@lsis.com.cn