

Mini slides SLT/SLS/SLF



Mini slides SLT/SLS/SLF

Key features

FESTO

General information

- Double-acting drives
- Precise and rigid guide
- Versatile air connections
- Sensors can be integrated
- Highly flexible thanks to versatile, direct assembly and connection options on:
 - Drive body
 - Slide
 - Yoke plate

Mini slides SLT



- Powerful
- Compact design through air connections at rear
- Two adjustable end-position cushioning systems:
 - Flexible cushioning elements
 - Hydraulic shock absorbers
- Extremely compact drive thanks to cushioning systems integrated in the profile section
- Versatile combination options include:
 - Drives
 - Grippers
- System product for handling and assembly technology

Mini slides SLS



- Slim design
- Integrated end-position cushioning:
 - Flexible cushioning elements

Mini slides SLF

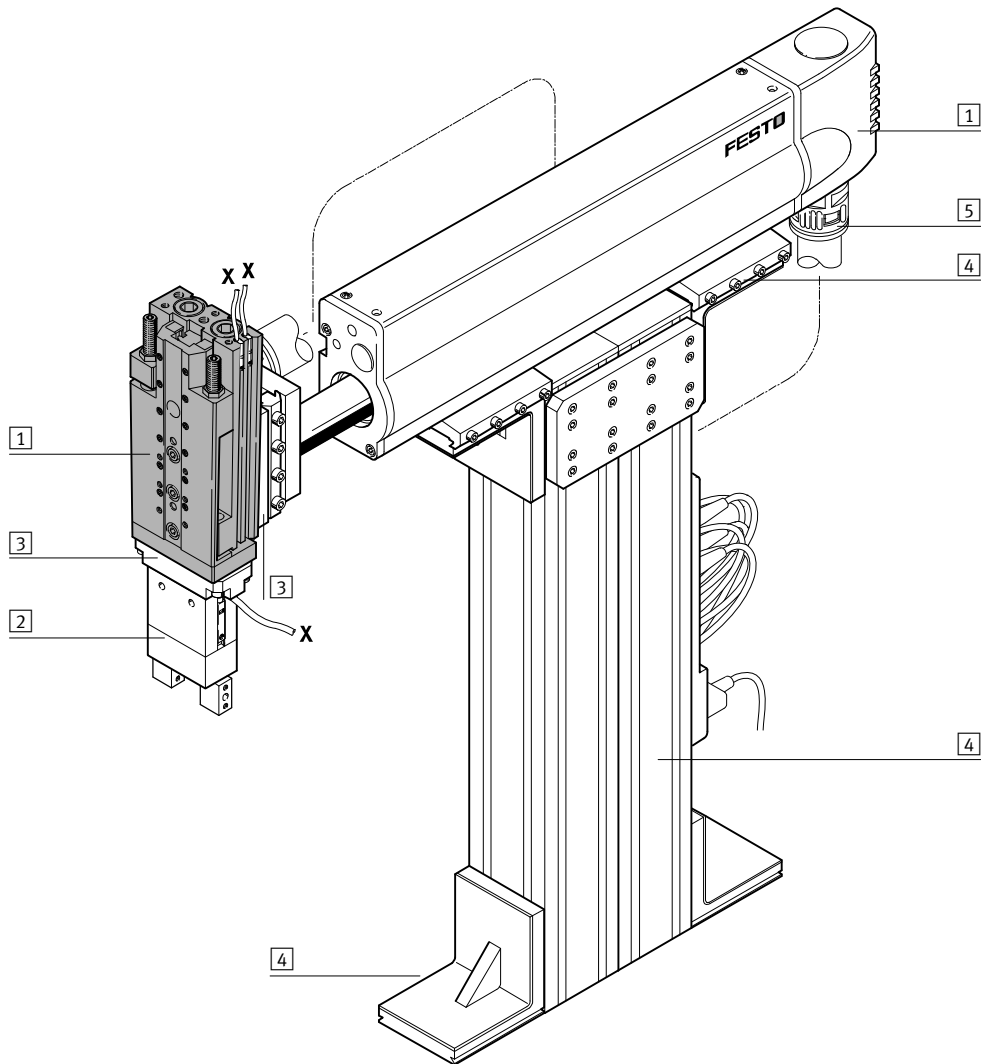


- Flat
- Adjustable end-position cushioning
 - Flexible cushioning elements
- Versatile combination options on:
 - Drives
- System product for handling and assembly technology

Mini slides SLT/SLS/SLF

System example

System product for handling and assembly technology



System elements and accessories		
	Brief description	→ Page/Internet
1	Drives	Diverse possible combinations in handling and assembly technology drive
2	Grippers	Wide range of variation options within handling and assembly technology gripper
3	Adapters	For drive/drive combinations 40
		For drive/gripper combinations gripper
4	Basic components	Profiles and profile connections as well as profile/drive connections basic component
5	Installation components	For achieving a clear-cut, safe layout of electrical cables and tubing installation component
-	Axes	Diverse possible combinations in handling and assembly technology axes
-	Motors	Servo and stepper motors, with or without gearing motor

Mini slides SLT/SLS/SLF

Key features



Drive

Mini slides SLT/SLS/SLF are driven with double-acting cylinders.

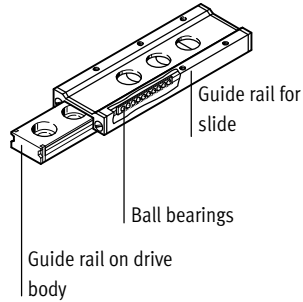
SLT: with two pistons

SLS/SLF: with one piston

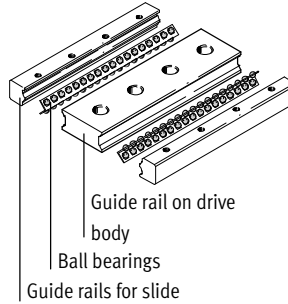
Guide

The slide moves on a pre-loaded, backlash-free precision ball bearing cage guide of high rigidity with high torque and load absorption.

SLT-/SLS-/SLF-6/-10/-16

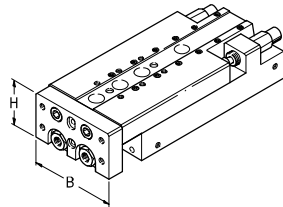


SLT-20/-25



The powerful mini slide

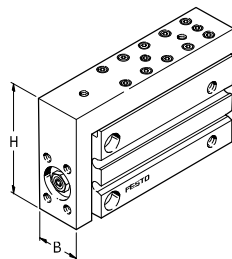
SLT



Piston Ø	Width (W)	x	Height (H)
2x 6 mm	35	x	20 mm
2x 10 mm	50	x	30 mm
2x 16 mm	66	x	40 mm
2x 20 mm	85	x	49 mm
2x 25 mm	104	x	60 mm

The super slim mini slide

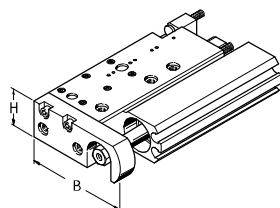
SLS



Piston Ø	Width (W)	x	Height (H)
6 mm	16	x	39 mm
10 mm	20	x	45 mm
16 mm	24	x	51 mm

The extremely flat mini slide

SLF



Piston Ø	Width (W)	x	Height (H)
6 mm	46	x	11 mm
10 mm	48	x	15 mm
16 mm	62	x	21 mm

Mini slides SLT/SLS/SLF

Key features

Versatile

through

- Attachment
- Mounting
- Air connection
- End-position cushioning
- Sensors

1 Attachment:
The drive can be directly attached via through or threaded holes (with appropriate screws and centring sleeves ZBH).

2 Mounting surface:
Direct attachment of devices and loads is made possible with threaded holes in the slide and the yoke plate (using appropriate screws and centring sleeves ZBS/ZBH) (e.g. SLT: semi-rotary drives and grippers).

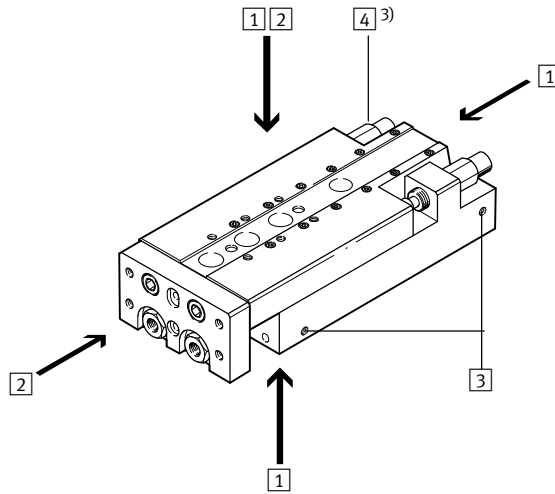
3 Versatile air connections

- 4** Adjustable end-position cushioning systems:
- 1) SLT-...-P-A/SLF-...-P-A with flexible cushioning elements in the end positions
 - 2) SLT-...-P-A with stop PF-...-SLT allows precise, metallic positioning in the end positions
 - 3) SLT-...-A-CC-B with hydraulic shock absorbers YSRT on rear cover for optimum end-position adjustment

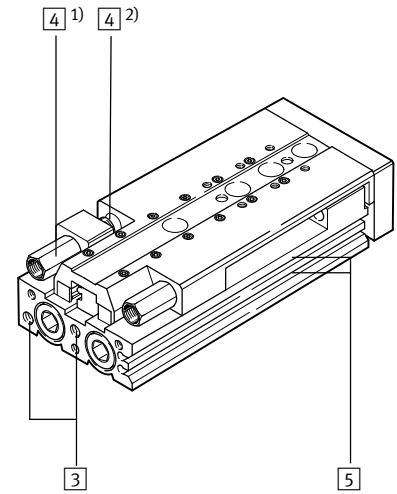
5 Sensors can be integrated
Sensor slots for one or more proximity sensors SME/SMT-10. For space-saving, reliable sensing of piston positions. Proximity sensors can be freely moved and clamped in their slots.

SLT

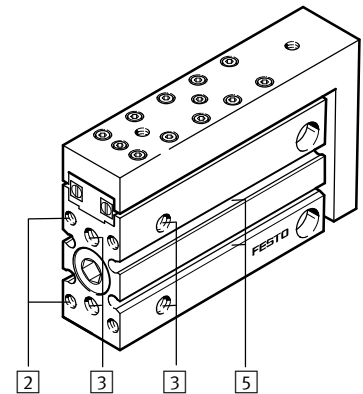
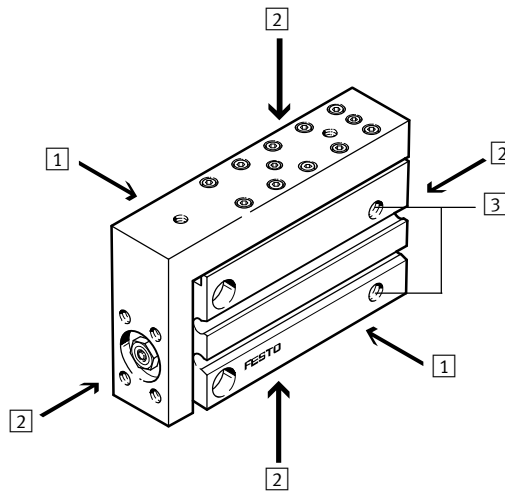
SLT-...-CC-B



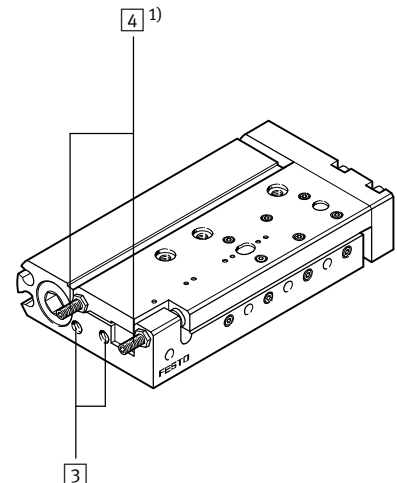
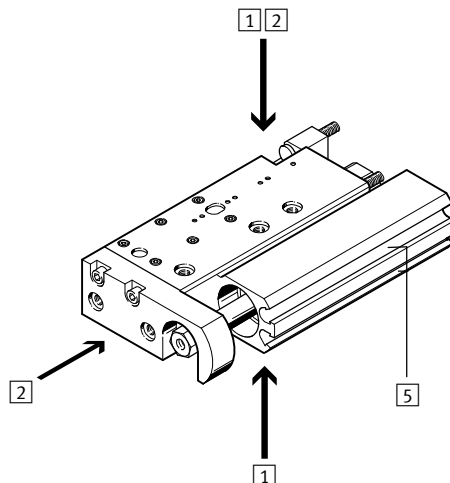
SLT-...-P-A



SLS



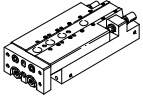
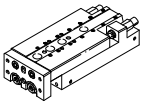
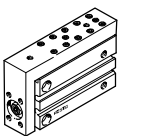
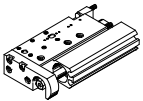
SLF



Mini slides SLT/SLS/SLF

Product range overview

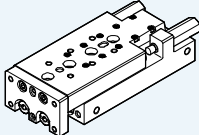
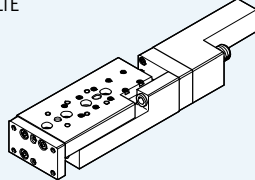
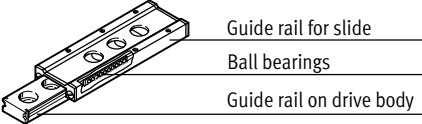
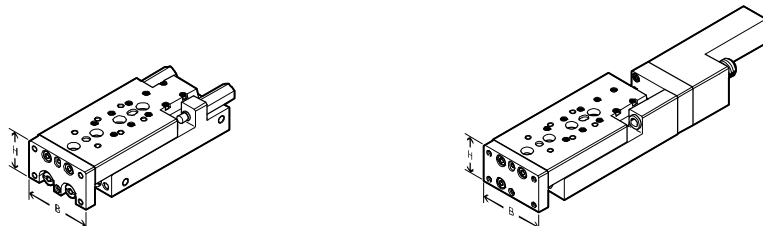
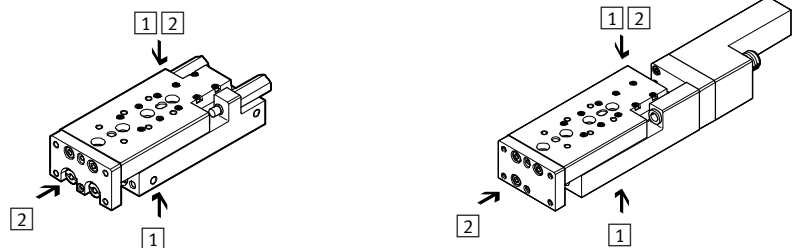


Function	Design	Piston Ø [mm]	Stroke [mm]	Cushioning		Position sensing	→ Page/ Internet
				flexible cushioning elements	hydraulic shock absorbers		
Double- acting	Powerful, SLT-...-P-A						
		6, 10, 16, 20, 25	10, 20, 30, 40, 50, 80, 100, 125, 150, 200	■	-	■	7
	Powerful, SLT-...-A-CC-B						
		10, 16, 20, 25	30, 40, 50, 80, 100, 125, 150, 200	-	■	■	7
	Slim, SLS-...-P-A						
	6, 10, 16	5, 10, 15, 20, 25, 30	■	-	■	21	
Flat, SLF-...-P-A							
	6, 10, 16	10, 20, 30, 40, 50, 80	■	-	■	29	

Mini slides SLT

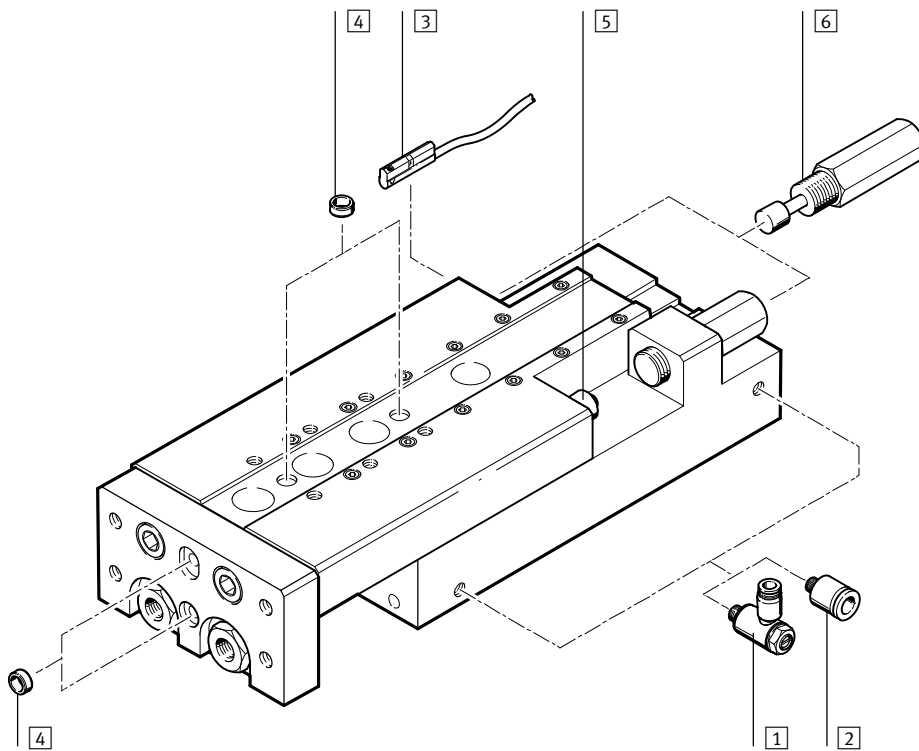
Key features

Comparison between pneumatic mini slide SLT and electric mini slide SLTE

	Pneumatic: SLT	Electric: SLTE												
														
Advantages	<ul style="list-style-type: none"> • High feed force • High speed • Fast positioning time • Compact length 	<ul style="list-style-type: none"> • Gentle starting and stopping • Constant and precise speed (2 ... 200 mm/s) • Flexible positioning without mechanical devices • Programmable drive profile 												
Guide	<ul style="list-style-type: none"> • Preloaded, backlash-free, precise and rigid ball bearing cage guide • High torque and load absorption 	 <p>Guide rail for slide Ball bearings Guide rail on drive body</p>												
Dimensions	<ul style="list-style-type: none"> • Identical width and height dimensions <table border="1"> <thead> <tr> <th>Type</th> <th>Width (B)</th> <th>x</th> <th>Height (H)</th> </tr> </thead> <tbody> <tr> <td>SLT(E)-10</td> <td>50</td> <td>x</td> <td>30 mm</td> </tr> <tr> <td>SLT(E)-16</td> <td>66</td> <td>x</td> <td>40 mm</td> </tr> </tbody> </table>	Type	Width (B)	x	Height (H)	SLT(E)-10	50	x	30 mm	SLT(E)-16	66	x	40 mm	
Type	Width (B)	x	Height (H)											
SLT(E)-10	50	x	30 mm											
SLT(E)-16	66	x	40 mm											
Interfaces	<ul style="list-style-type: none"> • Identical mounting and attachment options <p>1 Mounting surfaces: Direct mounting using threaded holes and through-holes</p> <p>2 Attachment surfaces: Direct mounting of loads and devices (e.g. SLT: semi-rotary drives and grippers) by means of threaded holes in slide and yoke plate</p>													
Technical data														
Piston Ø	[mm]	6 ... 25	10, 16											
Stroke	[mm]	10 ... 200	50 ... 150											
Max. speed	[m/s]	0.8	0.2											
Repetition accuracy at end positions	[mm]	±0.02	±0.1											
Intermediate positions		None	Any											

Mini slides SLT

Peripherals overview

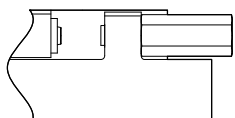


Note
End stops must not be removed.

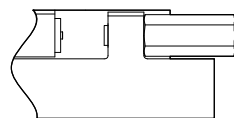
Accessories		
	Description	→ Page/Internet
1	One-way flow control valve GRLA	38
2	Push-in fitting QS	qs
3	Proximity sensor SME/SMT-10	39
4	Centring pin/sleeve ZBS/ZBH	38
5	Cushioning with stop PF	38
6	Cushioning with shock absorber YSRT	ysrt
7	Cushioning P	20

Cushioning variants

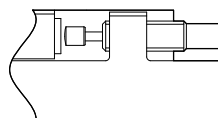
7 SLT...-P-A
with cushioning P



5 SLT...-P-A
with cushioning PF
(stop can be retrofitted)



6 SLT...-CC-B
with cushioning YSRT



Mini slides SLT

Type codes

SLT – 16 – 80 – P – A

Type	
Double-acting	
SLT	Mini-slide
Piston Ø [mm]	
Stroke [mm]	
Cushioning	
P	Flexible cushioning, non-adjustable
Position sensing	
A	For proximity sensing

SLT – 16 – 80 – A – CC – B

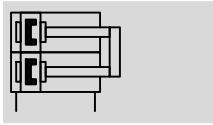
Type	
Double-acting	
SLT	Mini-slide
Piston Ø [mm]	
Stroke [mm]	
Position sensing	
A	For proximity sensing
Cushioning	
CC	Linear, self-adjusting shock absorber
Version	
B	B series



Mini slides SLT

Technical data

FESTO

Function



-  Diameter
6 ... 25 mm
-  Stroke length
10 ... 200 mm

General technical data				6	10	16	20	25	
Piston \varnothing				6	10	16	20	25	
Pneumatic connection				M5			G $\frac{1}{8}$		
Design				Kinematic yoke system					
Guide				Parallel piston rods, ball bearing guide					
Cushioning	Cushioning P			Non-adjustable at either end					
	Shock absorber			-			Self-adjusting at both ends		
Position sensing				For proximity sensing					
Type of mounting				Via through-holes					
				Via female thread					
Mounting position				Any					
Adjustable end-position range	Per end stop	[mm]		7	4	12			
	Per shock absorber	[mm]		-		4	5	12	
Cushioning length with shock absorbers		[mm]		-			5	8	12
Max. advancing speed		[m/s]		0.5 ¹⁾		0.8			
Max. retracting speed		[m/s]		0.5 ¹⁾		0.8			
Repetition accuracy	Stop PF	[mm]		0.02					
	Shock absorber	[mm]		-			0.02		

1) Must be throttled externally

Operating and environmental conditions				6	10	16	20	25
Piston \varnothing				6	10	16	20	25
Operating medium				Compressed air in accordance with ISO 8573-1:2010 [7:4:4]				
Note on operating/pilot medium				Operation with lubricated medium possible (in which case lubricated operation will always be required)				
Operating pressure		[bar]		1.5 ... 10		1 ... 10		
Ambient temperature ¹⁾		[°C]		-20 ... +60				

1) Note operating range of proximity sensors

Forces [N] and impact energy [Nm]				6	10	16	20	25
Piston \varnothing				6	10	16	20	25
Theoretical force at 6 bar, advancing				34	94	242	376	590
Theoretical force at 6 bar, retracting				25	79	218	317	495
Max. impact energy at the end positions ¹⁾	Stop PF ²⁾			0.0005	0.007	0.015	0.030	0.060
	Cushioning P ²⁾			0.016	0.1	0.3	0.4	0.5
	Shock absorber CC ²⁾			-	1	2	3	10

1) Loads moved by the slides must be taken into consideration for the calculation of end-position cushioning energy

2) Note also the graphs illustrating piston speed as a function of working load → 11

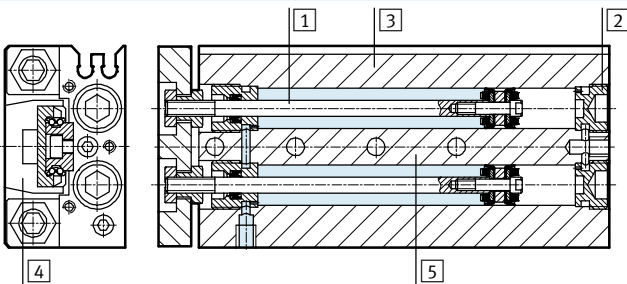
Mini slides SLT

Technical data

Weights [g]												
Piston Ø		6		10		16		20		25		
Stroke		1	2	1	2	1	2	1	2	1	2	
1	Product weight	10	128	42	304	125	588	255	1132	533	1866	920
2	Moving load	20	145	47	298	122	568	250	1117	526	1852	905
		30	161	53	334	141	617	265	1112	518	1835	891
		40	184	64	365	149	690	298	1199	548	2002	964
		50	223	85	427	179	762	327	1347	608	2152	1036
		80	-	-	581	247	1030	451	1767	793	2767	1326
		100	-	-	-	-	1247	543	2088	924	3209	1516
		125	-	-	-	-	1655	749	2681	1143	4030	1899
		150	-	-	-	-	1802	797	2923	1253	4549	2087
		200	-	-	-	-	-	-	3666	1490	5520	2544

Materials

Sectional view



Mini slide		
1	Piston rod	High-alloy steel
2	Cap	Wrought aluminium alloy, anodised
3	Housing	Wrought aluminium alloy, anodised
4	Slide	Wrought aluminium alloy, anodised
5	Guide	Tempered steel
-	Seals	Hydrogenated nitrile rubber
Note on materials		Free of copper and PTFE

Piston speed v as a function of working load m

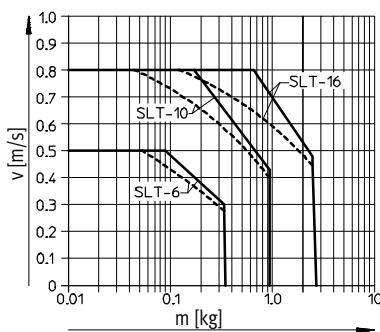
The piston speed as a function of working load may not be exceeded as the kinetic impact or residual energy

in the end positions can result in damage to the drive.

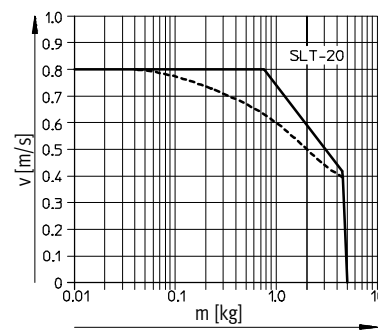
For the mini slide SLT with shock absorbers, the speed should not be less than 0.1 m/s, as otherwise the

service life of the shock absorber will be reduced.

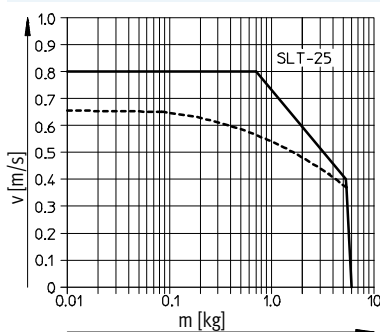
SLT-6/-10/-16-...-P-A



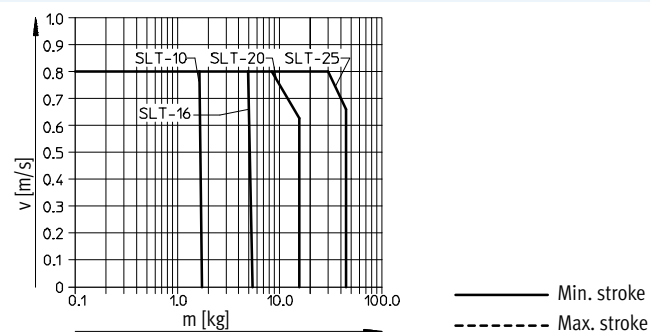
SLT-20-...-P-A



SLT-25-...-P-A



SLT-10/-16/-20/-25-...-A-CC-B

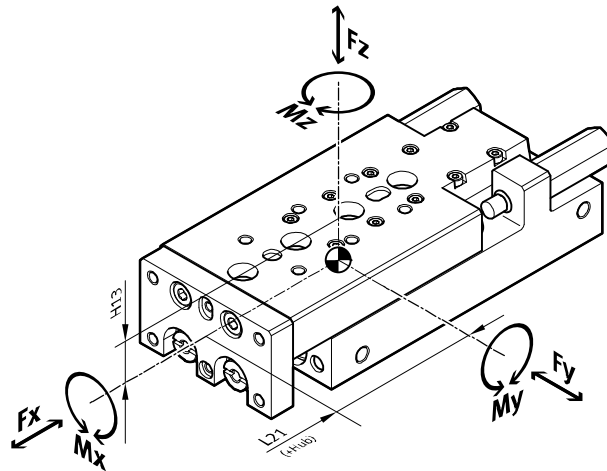


Mini slides SLT

Technical data

Dynamic characteristic load values

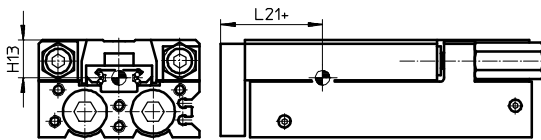
Torques are indicated with reference to the centre of the guide.
They must not be exceeded during dynamic operation. Special attention must be paid to the cushioning phase.



If the drive is simultaneously subjected to several of the indicated forces and torques, the following equation must be satisfied in addition to the indicated maximum loads.

$$\frac{|F_y|}{F_{y_{max}}} + \frac{|F_z|}{F_{z_{max}}} + \frac{|M_x|}{M_{x_{max}}} + \frac{|M_y|}{M_{y_{max}}} + \frac{|M_z|}{M_{z_{max}}} \leq 1$$

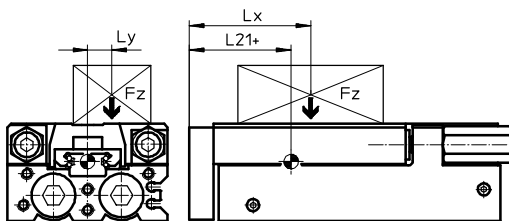
Position of guide centre



+ plus stroke length

Calculation example

Given:



Mini slide = SLT-10
Stroke length = 80 mm
Lever arm L_x = 50 mm
Lever arm L_y = 30 mm
Mass F_z = 0.8 kg
Acceleration a = 0 m/s²

To be found:

F_y , F_z , M_x , M_y , M_z
and
verification of function with combined load

Solution:

$L_{21} = 41$ mm from table

$F_y = 0$ N

$F_z = m \times g$
 $= 0.8 \text{ kg} \times 9.81 \text{ m/s}^2 = 7.848 \text{ N}$

$M_x = m \times g \times L_y$
 $= 0.8 \text{ kg} \times 9.81 \text{ m/s}^2 \times 30 \text{ mm} = 0.236 \text{ Nm}$

$M_y = m \times g \times [(L_{21} + \text{stroke}) - L_x]$
 $= 0.8 \text{ kg} \times 9.81 \text{ m/s}^2 [(41 \text{ mm} + 80 \text{ mm}) - 50 \text{ mm}] = 0.557 \text{ Nm}$

$M_z = 0$ Nm

Combined load:

$$\frac{|F_y|}{F_{y_{max}}} + \frac{|F_z|}{F_{z_{max}}} + \frac{|M_x|}{M_{x_{max}}} + \frac{|M_y|}{M_{y_{max}}} + \frac{|M_z|}{M_{z_{max}}} = 0 + \frac{7.848 \text{ N}}{41 \text{ N}} + \frac{0.2366 \text{ Nm}}{4.3 \text{ Nm}} + \frac{0.557 \text{ Nm}}{1.5 \text{ Nm}} + 0 = 0.445 \leq 1$$

Mini slides SLT

Technical data

FESTO

Permissible forces and torques						Geometric characteristics	
Piston \varnothing	Stroke	F _y max [N]	F _z max [N]	M _x max [Nm]	M _y max, M _z max [Nm]	H13 [mm]	L21 [mm]
6							
	10	200	200	1.1	0.7	7	21.5
	20	160	160	1.1	0.7		21.5
	30	140	140	0.7	0.5		21.5
	40	150	150	0.9	0.5		25
	50	190	190	1.4	0.5		30.5
10							
	10	470	470	2.1	1.6	13	24.5
	20	370	370	1.7	1.4		24.5
	30	390	390	2.5	1.4		28.5
	40	350	350	2.2	1.3		28.5
	50	390	390	3.1	1.4		33.5
	80	410	410	4.3	1.5		41
16							
	10	820	820	6.1	4.2	16	33
	20	650	650	4.7	3.4		33
	30	530	530	4.2	3.0		31.5
	40	490	490	3.8	2.7		31.5
	50	510	510	4.6	2.8		35
	80	520	520	6.0	2.8		41.5
	100	600	600	9.1	3.2		51.5
	125	960	960	12.6	3.5		66.5
	150	660	660	12.6	3.5		66.5
20							
	10	1600	1600	16	18	16.5	38.5
	20	1270	1270	13	14		38.5
	30	1110	1110	11	12		38.5
	40	930	930	10	11		38.5
	50	1080	1080	9	10		41
	80	1030	1030	14	11		48.5
	100	1160	1160	18	11		58
	125	1380	1380	37	17		71
	150	1300	1300	47	17		79
	200	1170	1170	64	17		92.5
25							
	10	1840	1840	19	21	23.5	45.5
	20	1460	1460	16	16		45.5
	30	1280	1280	14	14		45.5
	40	1310	1310	13	12		45.5
	50	1080	1080	12	11		45.5
	80	1030	1030	14	11		50.5
	100	1160	1160	18	11		60
	125	1380	1380	37	17		72.5
	150	1300	1300	47	17		80.5
	200	1170	1170	64	17		94.5

Mini slides SLT

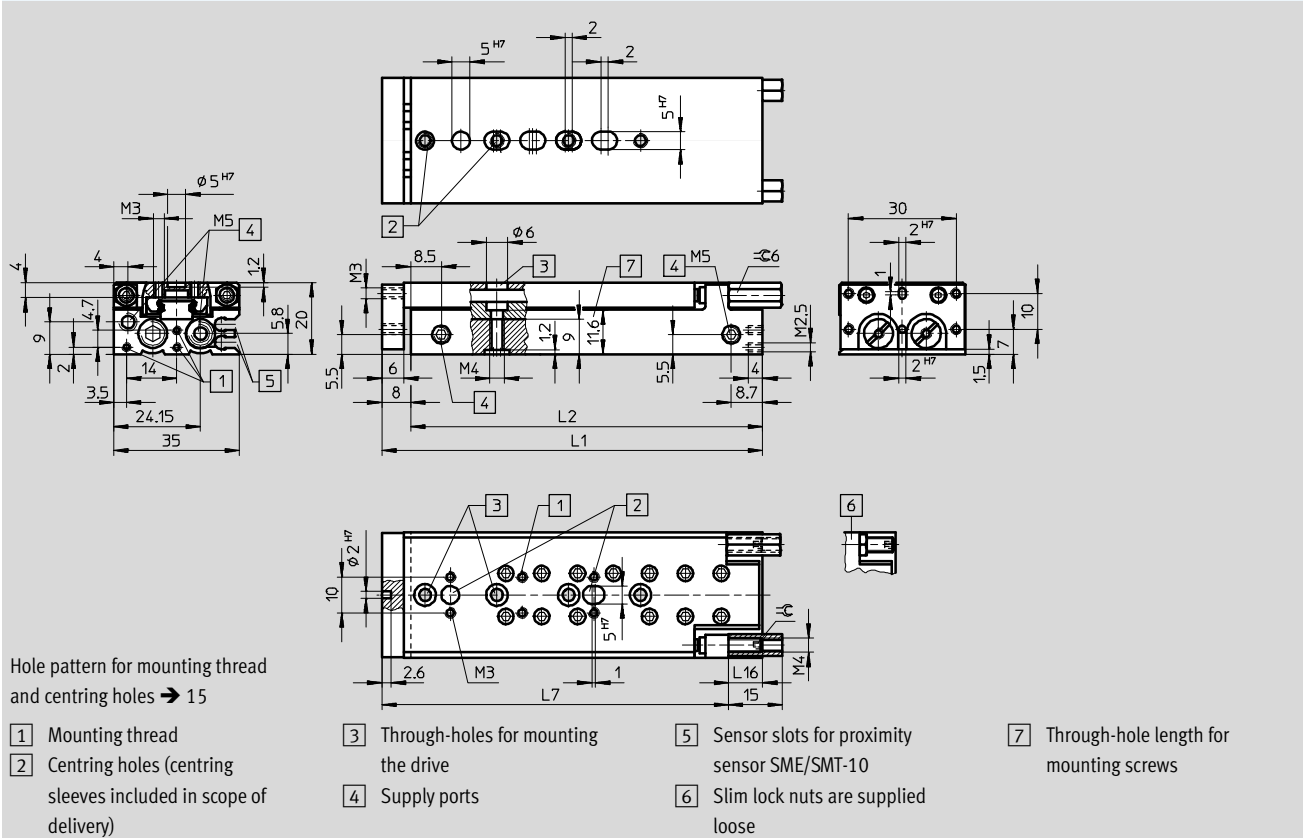
Technical data

FESTO

Dimensions

Download CAD data → www.festo.com

∅ 6



∅	Stroke	L1	L2	L7	L16	⊕
[mm]	[mm]				1)	1)
6	10	48	40	38	14	2
	20	58	50	48		
	30	68	60	58		
	40	85	77	75		
	50	106	98	96		

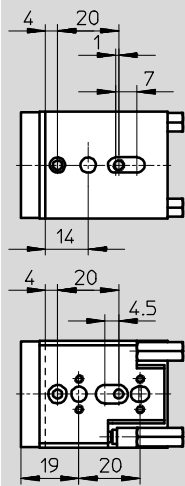
1) With flexible cushioning

Mini slides SLT

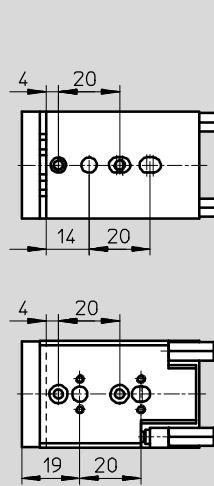
Technical data

Hole pattern for mounting thread and centring holes

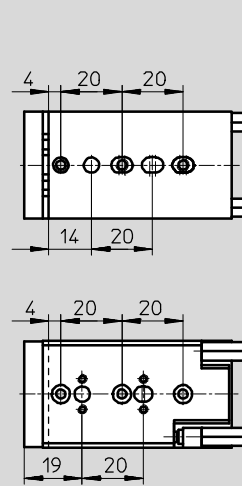
SLT-6-10



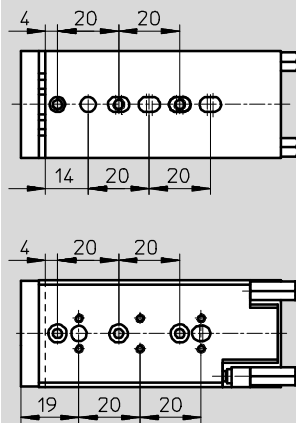
SLT-6-20



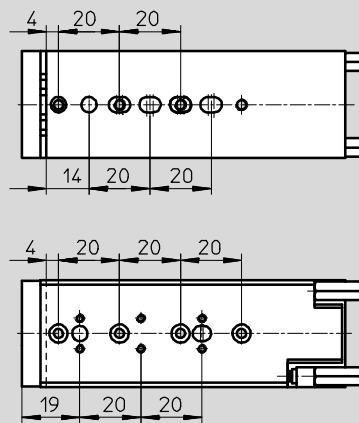
SLT-6-30



SLT-6-40



SLT-6-50



Mini slides SLT

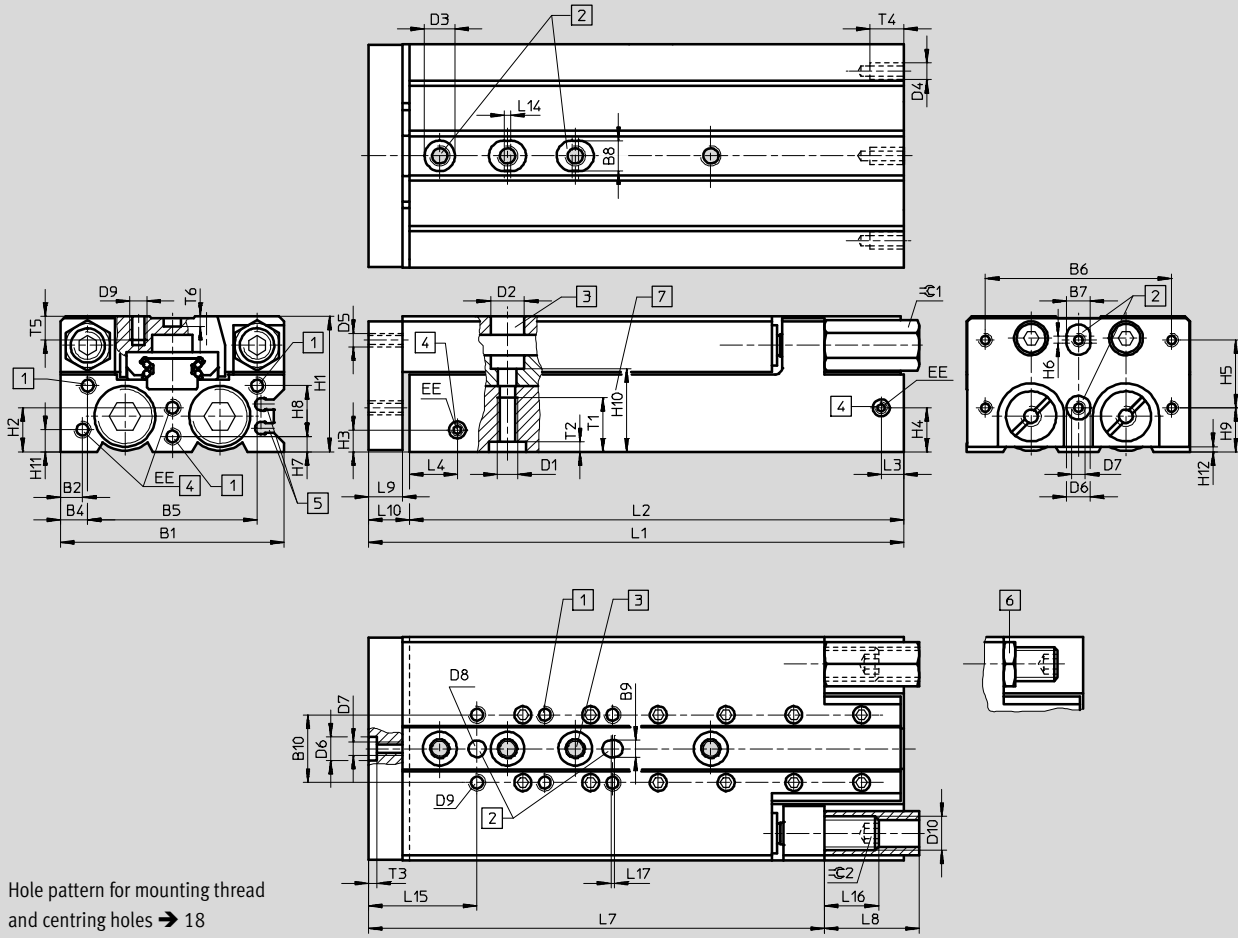
Technical data

FESTO

Dimensions

Download CAD data → www.festo.com

∅ 10...-25



Hole pattern for mounting thread and centring holes → 18

- 1 Mounting thread
- 2 Centring holes (centring sleeves included in scope of delivery)
- 3 Through-holes for mounting the drive
- 4 Supply ports
- 5 Sensor slots for proximity sensor SME/SMT-10
- 6 Slim lock nuts are supplied loose
- 7 Through-hole length for mounting screws

∅	B1	B2	B4	B5	B6	B7	B8	B9	B10	D1	D2	D3	D4	D5	D6	D7
[mm]						H7	H7	H7			∅	∅			∅	
10	50	5.5	10	30	40	5	7	5	20	M5	8	7	M3	M4	5	M3
16	66	6.5	8	50	55	7	9			M6	10	9	M5	M5	7	M4
20	85	7	15	55	70	9	12	9	40	M8	11	12			9	M5
25	104	8	12	80	80	12		12					M6	M6	12	M6

∅	D8	D9	D10	EE	H1	H2	H3	H4	H5	H6	H7	H8	H9	H10	H11	H12
[mm]	∅															
	H7															
10	5	M4	M8x1	M5	30	9.4	5.5	11	20	2	4	10	5	15.15	5.5	1.5
16	5	M5	M10x1		40	13	6.5	13			4.5	15	13	20	6.5	1.5
20	9		M12x1	G3/8	49	19.5	9	19.7			6	19	16	30.5	9	2.5
25	12	M6	M16x1	G3/8	60	21	10	21	40		5	25	10	34.5	10	1.5

Mini slides SLT

Technical data

FESTO

∅ [mm]	Stroke [mm]	L1	L2	L3	L4	L7	L8	L9	L10	L14 min.	L15				
10	10	72	62	7	11.7	62.5	15	8	10	2	25				
	20	72										72.5			
	30	82	72			25									
	40	92	82												
	50	112	102												
	80	162	152												
16	10	80	68	6.7	14.2	63.5	22	10	12	2	32				
	20	87	75									70.5			
	30												82	72	80.5
	40	97	85			90.5	28								
	50	112	100						134.5						
	80	158	146			176.5									
	100	199	187			233.5									
	125	257	245				8.2		16.6			258.5			
	150	282	270												
20	10	97	85	10.7	15.2	74	28	10	12	2	25				
	20											107	95	84	
	30														122
	40	167	155			135									
	50	167	155				171								
	80	203	191			208			59						
	100	262	250				10.3					17.5	249		
	125	302	290			323									
	150	302	290												
	200	377	365												
	25	10	108			94	10.7		18.7			88.5	25	12	14
20		118		104	92.5			34							
30										131	117				
40		177	163	132.5		51									
50		177	163		159.5			57							
80		210	196	212.5											
100		264	250		10	21.5		252.5							
125		304	290							328.5					
150		304	290												
200		379	365												

∅ [mm]	L16		L17 min.	T1	T2	T3	T4	T5	T6	≈ 1	≈ 2	
	1)	2)									1)	2)
10	20.7	8	1	12	1.5	1.3	7	8	1.2	10	2.5	4
16	23.5	16		16	2.1	1.6	10	7		13	3	5
20	34	17.5		20	2.6	2.1	12	10	2.1	15	4	6
25	49.5	18		2.6	11	2.6		19	5	8		

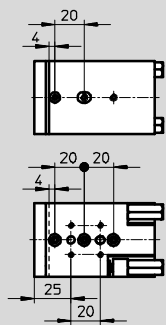
- 1) With hydraulic shock absorbers
- 2) With flexible cushioning

Mini slides SLT

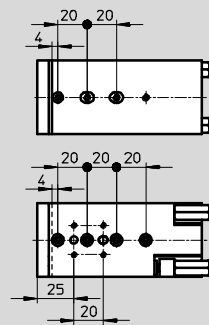
Technical data

Hole pattern for mounting thread and centring holes

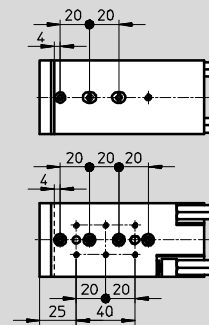
SLT-10-10 ... 30



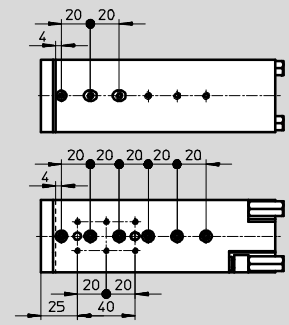
SLT-10-40



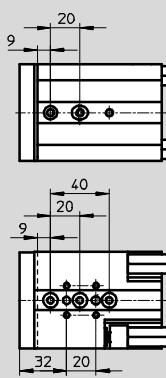
SLT-10-50



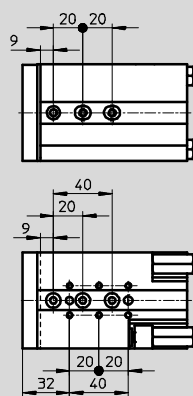
SLT-10-80



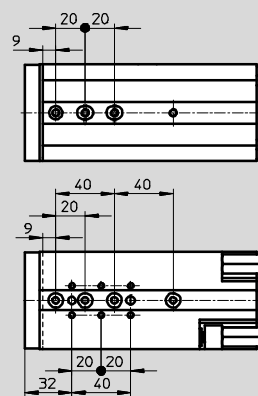
SLT-16-10 ... 40



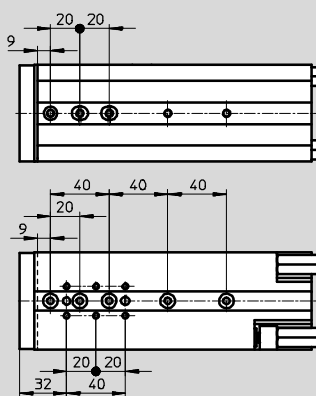
SLT-16-50



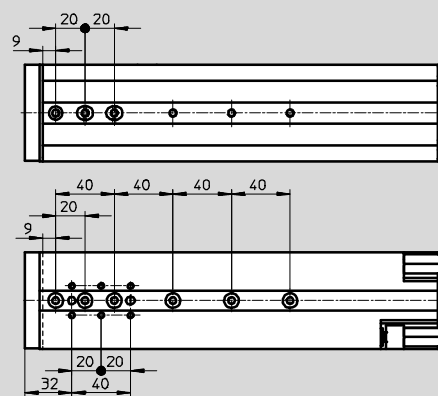
SLT-16-80



SLT-16-100



SLT-16-125/-150

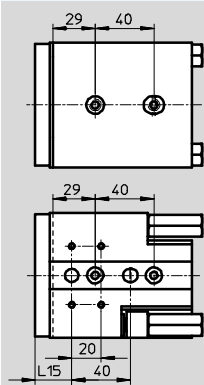


Mini slides SLT

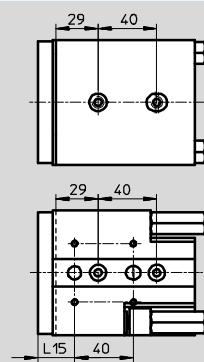
Technical data

Hole pattern for mounting thread and centring holes

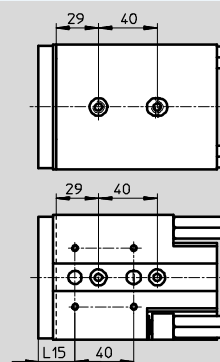
SLT-20-10 ... 40



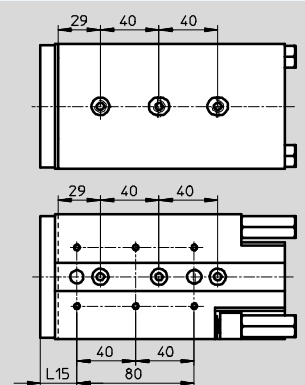
SLT-25-10 ... 40



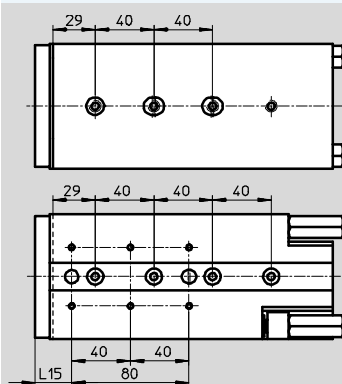
SLT-20/-25-50



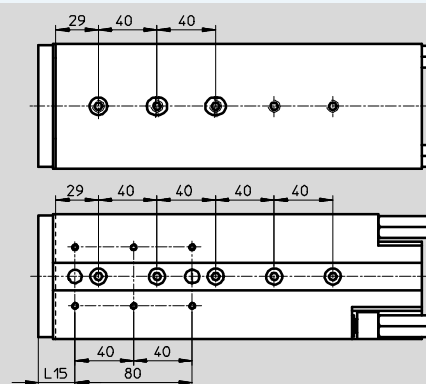
SLT-20/-25-80



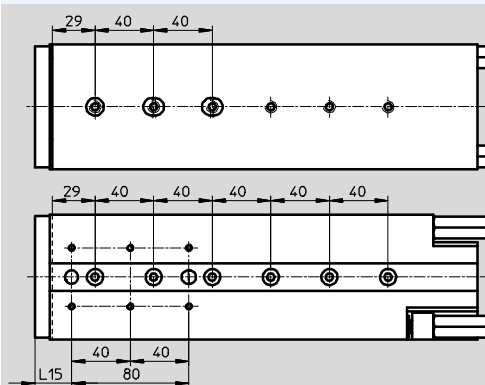
SLT-20/-25-100



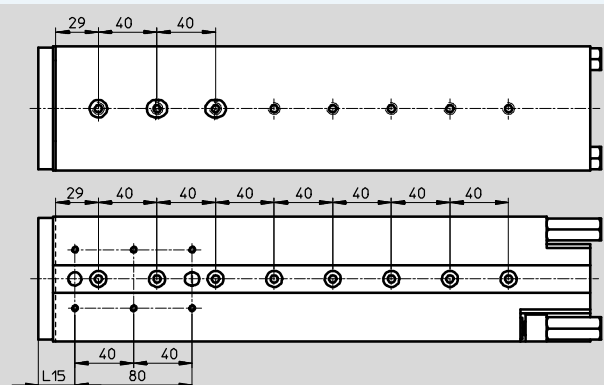
SLT-20/-25-125



SLT-20/-25-150



SLT-20/-25-200



Mini slides SLT

Technical data

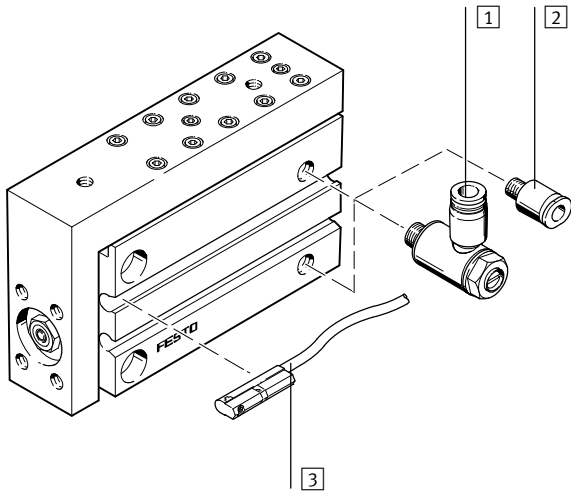
FESTO

Ordering data					
∅ [mm]	Stroke [mm]	SLT-...-P-A		SLT-...-A-CC-B	
		Part No.	Type	Part No.	Type
6					
	10	170549	SLT-6-10-P-A	-	
	20	170550	SLT-6-20-P-A	-	
	30	170551	SLT-6-30-P-A	-	
	40	170552	SLT-6-40-P-A	-	
	50	170553	SLT-6-50-P-A	-	
10					
	10	170554	SLT-10-10-P-A	-	
	20	170555	SLT-10-20-P-A	-	
	30	170556	SLT-10-30-P-A	197891	SLT-10-30-A-CC-B
	40	170557	SLT-10-40-P-A	197892	SLT-10-40-A-CC-B
	50	170558	SLT-10-50-P-A	197893	SLT-10-50-A-CC-B
	80	170559	SLT-10-80-P-A	197894	SLT-10-80-A-CC-B
16					
	10	170560	SLT-16-10-P-A	-	
	20	170561	SLT-16-20-P-A	-	
	30	170562	SLT-16-30-P-A	197895	SLT-16-30-A-CC-B
	40	170563	SLT-16-40-P-A	197896	SLT-16-40-A-CC-B
	50	170564	SLT-16-50-P-A	197897	SLT-16-50-A-CC-B
	80	170565	SLT-16-80-P-A	197898	SLT-16-80-A-CC-B
	100	170566	SLT-16-100-P-A	197899	SLT-16-100-A-CC-B
	125	188412	SLT-16-125-P-A	197900	SLT-16-125-A-CC-B
	150	188413	SLT-16-150-P-A	197901	SLT-16-150-A-CC-B
20					
	10	170567	SLT-20-10-P-A	-	
	20	170568	SLT-20-20-P-A	-	
	30	170569	SLT-20-30-P-A	197902	SLT-20-30-A-CC-B
	40	170570	SLT-20-40-P-A	197903	SLT-20-40-A-CC-B
	50	170571	SLT-20-50-P-A	197904	SLT-20-50-A-CC-B
	80	170572	SLT-20-80-P-A	197905	SLT-20-80-A-CC-B
	100	170573	SLT-20-100-P-A	197906	SLT-20-100-A-CC-B
	125	188416	SLT-20-125-P-A	197907	SLT-20-125-A-CC-B
	150	188417	SLT-20-150-P-A	197908	SLT-20-150-A-CC-B
	200	188418	SLT-20-200-P-A	197909	SLT-20-200-A-CC-B
25					
	10	170574	SLT-25-10-P-A	-	
	20	170575	SLT-25-20-P-A	-	
	30	170576	SLT-25-30-P-A	197910	SLT-25-30-A-CC-B
	40	170577	SLT-25-40-P-A	197911	SLT-25-40-A-CC-B
	50	170578	SLT-25-50-P-A	197912	SLT-25-50-A-CC-B
	80	170579	SLT-25-80-P-A	197913	SLT-25-80-A-CC-B
	100	170580	SLT-25-100-P-A	197914	SLT-25-100-A-CC-B
	125	188422	SLT-25-125-P-A	197915	SLT-25-125-A-CC-B
	150	188423	SLT-25-150-P-A	197916	SLT-25-150-A-CC-B
	200	188424	SLT-25-200-P-A	197917	SLT-25-200-A-CC-B

Mini slides SLS

Peripherals overview and type codes

Peripherals overview



Accessories		Description	→ Page/Internet
1	One-way flow control valve GRLA	For speed regulation	38
2	Push-in fitting QS	For connecting compressed air tubing with standard external diameters	qs
3	Proximity sensor SME/SMT-10	Sensor slots for one or more proximity sensors	39

Type codes

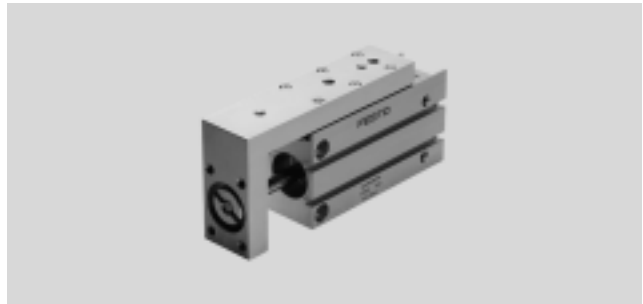
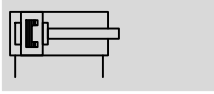
		SLS	-	16	-	10	-	P	-	A
Type										
Double-acting										
SLS	Mini slide									
Piston Ø [mm]										
Stroke [mm]										
Cushioning										
P	Flexible cushioning, non-adjustable									
Position sensing										
A	For proximity sensing									



Mini slides SLS

Technical data

FESTO

Function



-  - Diameter
6 ... 16 mm
-  - Stroke length
5 ... 30 mm

General technical data			
Piston Ø	6	10	16
Pneumatic connection	M5		
Design	Kinematic yoke system		
Guide	Via ball bearings		
Cushioning	Non-adjustable at either end		
Position sensing	For proximity sensing		
Type of mounting	Via through-holes Via female thread		
Assembly position	Any		
Max. advancing speed	[m/s]	0.5 ¹⁾	0.8
Max. retracting speed	[m/s]	0.5 ¹⁾	0.8

1) Must be throttled externally

Operating and environmental conditions			
Piston Ø	6	10	16
Operating medium	Compressed air in accordance with ISO 8573-1:2010 [7:4:4]		
Note on operating/pilot medium	Operation with lubricated medium possible (in which case lubricated operation will always be required)		
Operating pressure	[bar]	1.5 ... 10	1 ... 10
Ambient temperature ¹⁾	[°C]	-20 ... +60	

1) Note operating range of proximity sensors

Forces [N] and impact energy [Nm]				
Piston Ø	6	10	16	
Theoretical force at 6 bar, advancing	17	47	121	
Theoretical force at 6 bar, retracting	13	39	104	
Max. impact energy at the end positions ¹⁾	Cushioning p ²⁾	0.008	0.05	0.15

- 1) Loads moved by the slides must be taken into consideration for the calculation of end-position cushioning energy
- 2) Note also the graph illustrating piston speed as a function of working load → 24

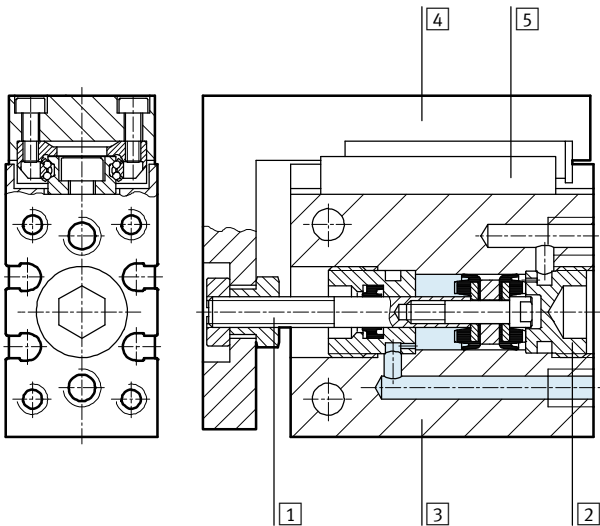
Mini slides SLS

Technical data

Weights [g]				
Piston Ø	Stroke	6	10	16
Product weight	5	97	130	225
	10	104	139	226
	15	113	149	256
	20	120	164	257
	25	131	182	291
	30	141	191	301
Moving load	5	28	41	92
	10	28	44	92
	15	32	49	100
	20	33	51	101
	25	37	60	111
	30	38	62	115

Materials

Sectional view



Mini slide		
1	Piston rod	High-alloy steel
2	Cap	Wrought aluminium alloy, anodised
3	Housing	Wrought aluminium alloy, anodised
4	Slide	Wrought aluminium alloy, anodised
5	Guide	Tempered steel
-	Seals	Thermoplastic rubber, hydrogenated nitrile rubber, nitrile rubber
	Note on materials	Free of copper and PTFE

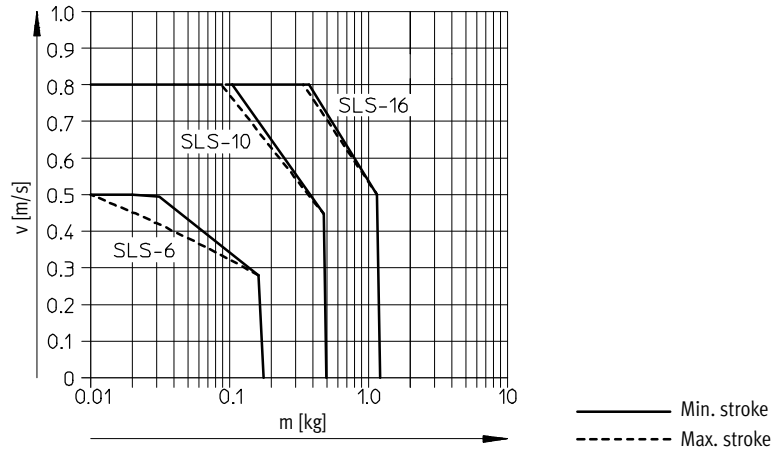
Mini slides SLS

Technical data

Piston speed v as a function of working load m

SLS-6/-10/-16-...-P-A

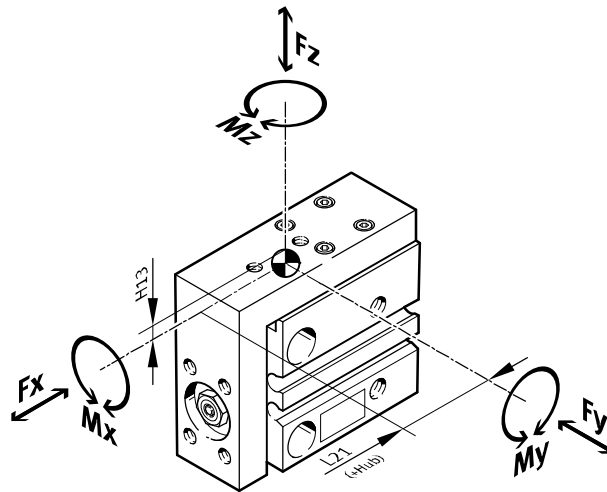
The piston speed as a function of working load illustrated in this graph may not be exceeded as the kinetic impact or residual energy in the end positions can result in damage to the drive.



Dynamic characteristic load values

Torques are indicated with reference to the centre of the guide.

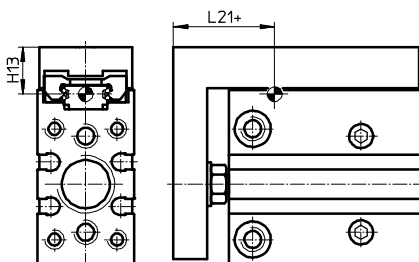
They must not be exceeded during dynamic operation. Special attention must be paid to the cushioning phase.



If the drive is simultaneously subjected to several of the indicated forces and torques, the following equation must be satisfied in addition to the indicated maximum loads.

$$\frac{|F_y|}{F_{y\max.}} + \frac{|F_z|}{F_{z\max.}} + \frac{|M_x|}{M_{x\max.}} + \frac{|M_y|}{M_{y\max.}} + \frac{|M_z|}{M_{z\max.}} \leq 1$$

Position of guide centre



+ plus stroke length

Mini slides SLS

Technical data

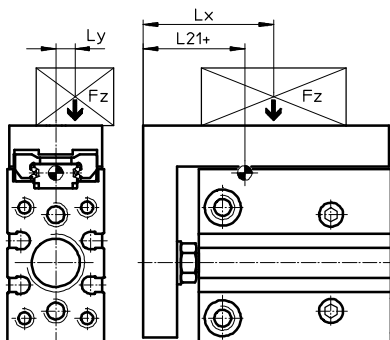
FESTO

Permissible forces and torques						Geometric characteristics	
Piston \varnothing	Stroke	$F_{y_{max}}$ [N]	$F_{z_{max}}$ [N]	$M_{x_{max}}, M_{y_{max}}$ [Nm]	$M_{z_{max}}$ [Nm]	H13 [mm]	L21 [mm]
6							
	5	220	220	0.6	0.5	8.5	20.5
	10	170	170	0.6	0.5		20.5
	15	180	180	0.9	0.6		23
	20	160	160	0.9	0.6		23
	25	150	150	0.9	0.6		23
	30	140	140	0.9	0.6		23
10							
	5	220	220	0.6	0.5	10	27.5
	10	170	170	0.6	0.5		27.5
	15	170	170	1.1	0.7		36
	20	150	150	1.1	0.7		36
	25	140	140	1.1	0.7		36
	30	130	130	1.1	0.7		36
16							
	5	590	590	2.1	1.6	11	30.5
	10	470	470	2.1	1.6		30.5
	15	410	410	1.7	1.3		30.5
	20	370	370	1.7	1.3		30.5
	25	410	410	2.5	1.4		34
	30	390	390	2.5	1.4		34

Calculation example

Given:

To be found:



Mini slide = SLS-10
 Stroke length = 20 mm
 Lever arm L_x = 5 mm
 Lever arm L_y = 20 mm
 Mass F_z = 0.495 kg
 Acceleration a = 0 m/s²

F_y, F_z, M_x, M_y, M_z
 and
 verification of function with combined load

Solution:

$L_{21} = 36$ mm from table

$F_y = 0$ N

$F_z = m \times g$
 $= 0.495 \text{ kg} \times 9.81 \text{ m/s}^2 = 4.856 \text{ N}$

$M_x = m \times g \times L_y$
 $= 0.495 \text{ kg} \times 9.81 \text{ m/s}^2 \times 20 \text{ mm} = 0.097 \text{ Nm}$

$M_y = m \times g \times [(L_{21} + \text{stroke}) - L_x]$
 $= 0.495 \text{ kg} \times 9.81 \text{ m/s}^2 [(36 \text{ mm} + 20 \text{ mm}) - 5 \text{ mm}] = 0.248 \text{ Nm}$

$M_z = 0$ Nm

Combined load:

$$\frac{|F_y|}{F_{y_{max}}} + \frac{|F_z|}{F_{z_{max}}} + \frac{|M_x|}{M_{x_{max}}} + \frac{|M_y|}{M_{y_{max}}} + \frac{|M_z|}{M_{z_{max}}}$$

$$= 0 + \frac{4.856 \text{ N}}{150 \text{ N}} + \frac{0.097 \text{ Nm}}{1.1 \text{ Nm}} + \frac{0.248 \text{ Nm}}{1.1 \text{ Nm}} + 0 = 0.345 \leq 1$$

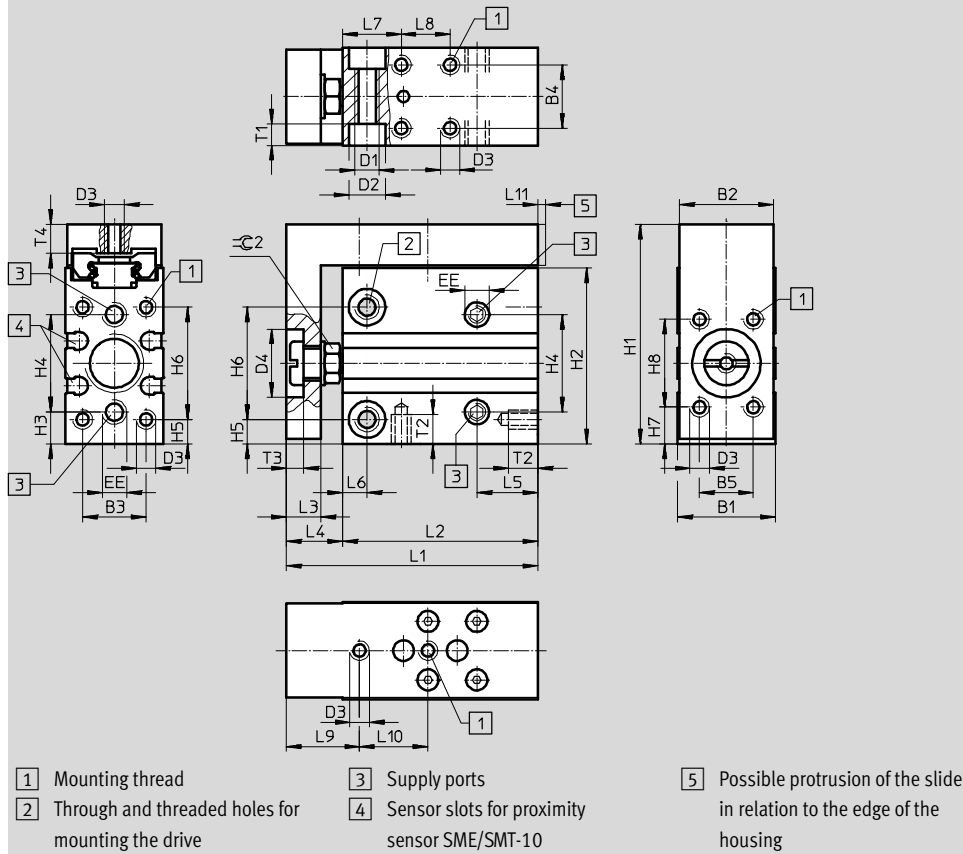
Mini slides SLS

Technical data

FESTO

Dimensions

Download CAD data → www.festo.com



∅	Stroke	B1	B2	B3	B4	B5	D1	D2	D3	D4	EE	H1
[mm]	[mm]							∅		∅ H11		
6	5	16	15.3	10.5	10	9	M4	6	M3	12	M5	39
	10											
	15											
	20											
	25											
	30											
10	5	20	19.3	13	13	11	M5	7.5	M4	14	M5	45
	10											
	15											
	20											
	25											
	30											
16	5	24	23.3	17	17	16	M5	7.5	M4	19.5	M5	51
	10											
	15											
	20											
	25											
	30											

Mini slides SLS

Technical data



∅	Stroke	H2	H3	H4	H5	H6	H7	H8	L1	L2	L3	L4	L5
[mm]	[mm]												
6	5	31	6	17	5	19	7	15	46	37.5	6	8.5	10
	10								51	42.5			
	15								56	47.5			
	20								61	52.5			
	25								66	57.5			
	30								71	62.5			
10	5	36	6.5	20	5	23	7.5	18	51.5	40	7	11.5	12.5
	10								56.5	45			
	15								61.5	50			
	20								66.5	55			
	25								73.5	62			
	30								78.5	67			
16	5	41	6.5	25	5.5	27	6	26	66	52	10	14	12.5
	10								76	62			
	15								86	72			
	20								91	77			
	25												
	30												

∅	Stroke	L6	L7	L8	L9	L10	L11	T1	T2	T3	T4	≈C 2	
[mm]	[mm]												
6	5	4	10	10	13	20	-	3.3	4.8	3	5	7	
	10			15		25							30
	15			20		35							40
	20			25									
	25			30									
	30			35									
10	5	5	12	10	15	14	Max. 0.75	4.4	6	3.5	6	8	
	10			14		19							25
	15			18		30							40
	20			24		45							
	25			32									
	30			35									
16	5	5	12	20	18	24	Max. 0.75	4.4	6	5	6	13	
	10			20		35							45
	15			30		50							
	20			40									
	25			45									
	30			45									

Mini slides SLS

Technical data

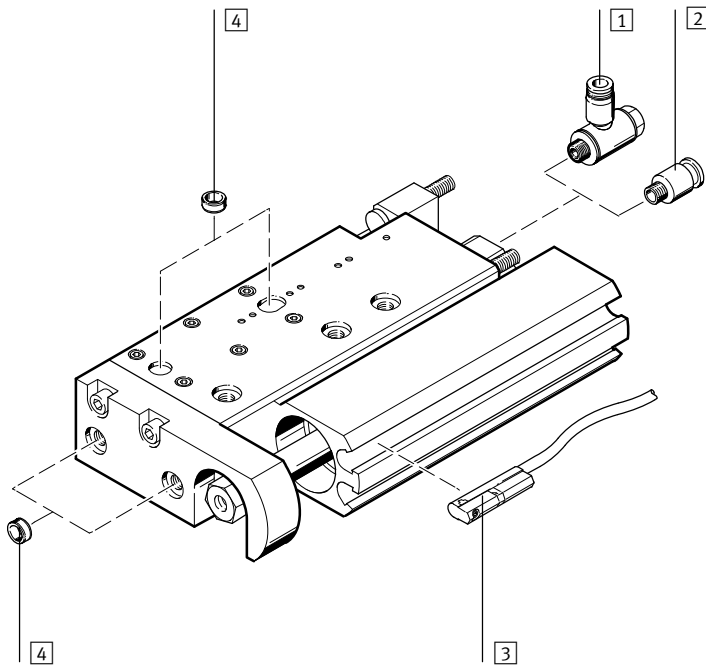
FESTO


Ordering data			
∅ [mm]	Stroke [mm]	Part No.	Type
6			
	5	170485	SLS-6-5-P-A
	10	170486	SLS-6-10-P-A
	15	170487	SLS-6-15-P-A
	20	170488	SLS-6-20-P-A
	25	170489	SLS-6-25-P-A
	30	170490	SLS-6-30-P-A
10			
	5	170491	SLS-10-5-P-A
	10	170492	SLS-10-10-P-A
	15	170493	SLS-10-15-P-A
	20	170494	SLS-10-20-P-A
	25	170495	SLS-10-25-P-A
	30	170496	SLS-10-30-P-A
16			
	5	170497	SLS-16-5-P-A
	10	170498	SLS-16-10-P-A
	15	170499	SLS-16-15-P-A
	20	170500	SLS-16-20-P-A
	25	170501	SLS-16-25-P-A
	30	170502	SLS-16-30-P-A

Mini slides SLF

Peripherals overview and type codes

Peripherals overview



 Note
End stops must not be removed.

Accessories		Description	→ Page/Internet
1	One-way flow control valve GRLA	For speed regulation	38
2	Push-in fitting QS	For connecting compressed air tubing with standard external diameters	q5
3	Proximity sensor SME/SMT-10	Sensor slots for one or more proximity sensors	39
4	Centring pin/sleeve ZBS/ZBH	For centring loads and attachments	38

Type codes

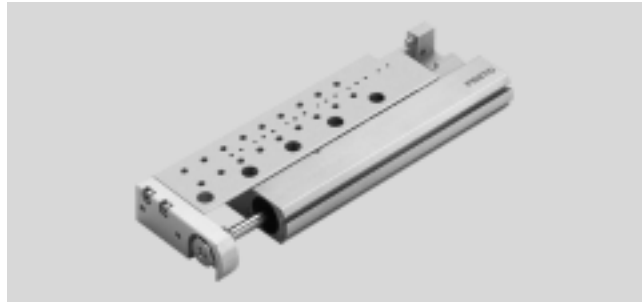
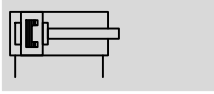
	SLF	-	16	-	20	-	P	-	A
Type									
Double-acting									
SLF	Mini slide								
Piston Ø [mm]									
Stroke [mm]									
Cushioning									
P	Flexible cushioning, non-adjustable								
Position sensing									
A	For proximity sensor								


Mini slides SLF


Technical data

FESTO

Function



-  - Diameter
6 ... 16 mm

-  - Stroke length
10 ... 80 mm

General technical data			
Piston \varnothing	6	10	16
Pneumatic connection	M5		
Design	Kinematic yoke system		
Guide	Via ball bearings		
Cushioning	Non-adjustable at either end		
Position sensing	For proximity sensing		
Type of mounting	Via through-holes Via female thread		
Assembly position	Any		
Adjustable end-position range	Per end stop [mm]	5	
Max. advancing speed	[m/s]	0.5 ¹⁾	0.8
Max. retracting speed	[m/s]	0.5 ¹⁾	0.8

1) Must be throttled externally

Operating and environmental conditions			
Piston \varnothing	6	10	16
Operating medium	Compressed air in accordance with ISO 8573-1:2010 [7:4:4]		
Note on operating/pilot medium	Operation with lubricated medium possible (in which case lubricated operation will always be required)		
Operating pressure	[bar]	1.5 ... 10	1 ... 10
Ambient temperature ¹⁾	[°C]	-20 ... +60	

1) Note operating range of proximity sensors

Forces [N] and impact energy [Nm]				
Piston \varnothing	6	10	16	
Theoretical force at 6 bar, advancing	17	47	121	
Theoretical force at 6 bar, retracting	13	40	104	
Max. impact energy at the end positions ¹⁾	Cushioning p ²⁾	0.016	0.05	0.1

1) Loads moved by the slides must be taken into consideration for the calculation of end-position cushioning energy
2) Note also the graph illustrating piston speed as a function of working load → 32

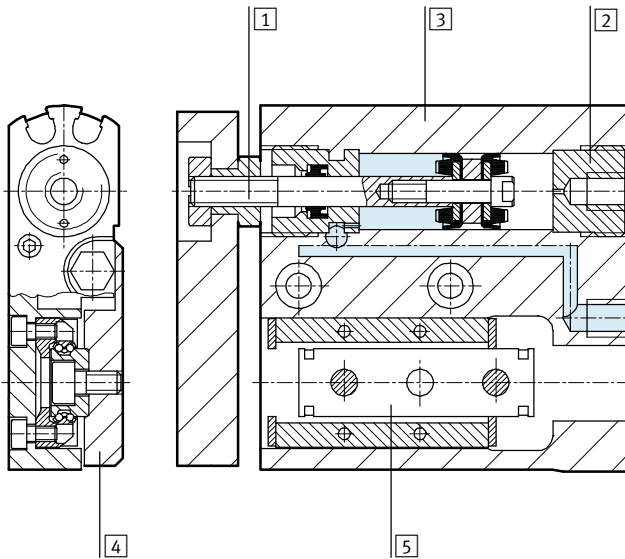
Mini slides SLF

Technical data

Weights [g]				
Piston Ø		6	10	16
Product weight	10	108	135	257
	20	124	156	291
	30	138	171	319
	40	–	178	353
	50	–	227	407
	80	–	–	539
Moving load	10	32	41	99
	20	37	48	109
	30	48	58	122
	40	–	60	133
	50	–	79	153
	80	–	–	199

Materials

Sectional view



Mini slide		
1	Piston rod	High-alloy steel
2	Cap	Wrought aluminium alloy, anodised
3	Housing	Wrought aluminium alloy, anodised
4	Slide	Wrought aluminium alloy, anodised
5	Guide	Tempered steel
–	Seals	Thermoplastic rubber, hydrogenated nitrile rubber, nitrile rubber
	Note on materials	Free of copper and PTFE

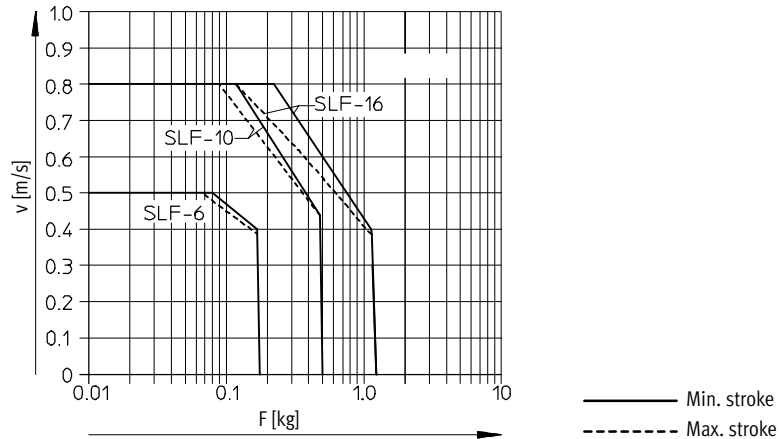
Mini slides SLF

Technical data

Piston speed v as a function of working load m

SLF-6/-10/-16-...-P-A

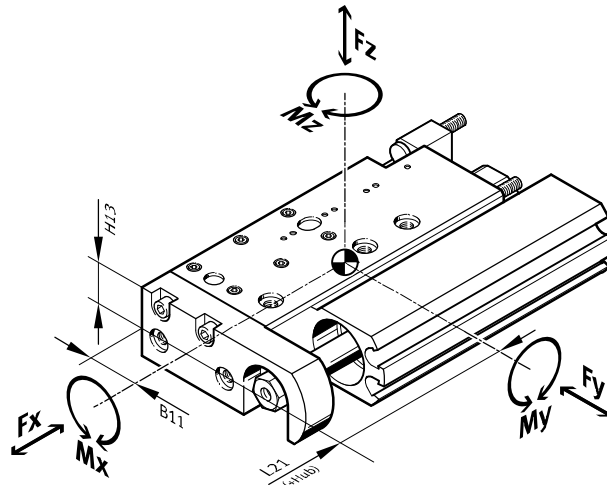
The piston speed as a function of working load illustrated in this graph may not be exceeded as the kinetic impact or residual energy in the end positions can result in damage to the drive.



Characteristic load values

Torques are indicated with reference to the centre of the guide.

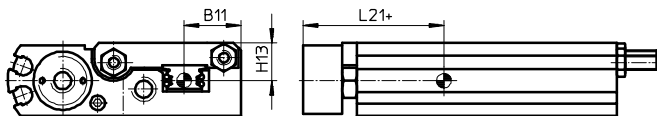
They must not be exceeded during dynamic operation. Special attention must be paid to the cushioning phase.



If the drive is simultaneously subjected to several of the indicated forces and torques, the following equation must be satisfied in addition to the indicated maximum loads.

$$\frac{|F_y|}{F_{y_{max}}} + \frac{|F_z|}{F_{z_{max}}} + \frac{|M_x|}{M_{x_{max}}} + \frac{|M_y|}{M_{y_{max}}} + \frac{|M_z|}{M_{z_{max}}} \leq 1$$

Position of guide centre



+ plus stroke length

Mini slides SLF

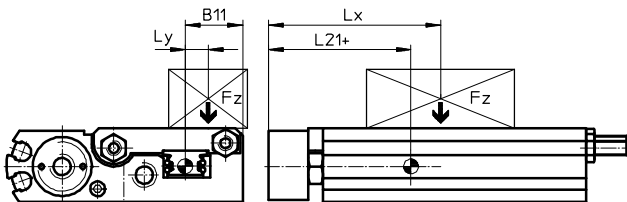
Technical data

FESTO

Permissible forces and torques						Geometric characteristics		
Piston \varnothing	Stroke	$F_{y\max}$ [N]	$F_{z\max}$ [N]	$M_{x\max}, M_{y\max}$ [Nm]	$M_{z\max}$ [Nm]	B11 [mm]	H13 [mm]	L21 [mm]
6								
	10	170	170	0.6	0.5	14	7	22
	20	150	150	1.1	0.7			21
	30	130	130	1.1	0.7			21
10								
	10	170	170	0.6	0.5	11.5	8	23
	20	150	150	1.1	0.7			25
	30	130	130	1.1	0.7			25
	40	150	150	0.9	0.5			29
	50	190	190	1.4	0.5			34.5
16								
	10	470	470	2.1	1.6	14	11.5	27.5
	20	370	370	1.7	1.3			27.5
	30	390	390	2.5	1.4			31.5
	40	350	350	2.2	1.3			31.5
	50	390	390	3.1	1.4			36
	80	410	410	4.3	1.5			43.5

Calculation example

Given:



To be found:

Mini slide = SLF-10
 Stroke length = 20 mm
 Lever arm L_x = 5 mm
 Lever arm L_y = 20 mm
 Mass F_z = 0.495 kg
 Acceleration a = 0 m/s²
 F_y, F_z, M_x, M_y, M_z
 and
 verification of function with combined load

Solution:

$L_{21} = 25$ mm from table

$F_y = 0$ N

$F_z = m \times g$
 $= 0.495 \text{ kg} \times 9.81 \text{ m/s}^2 = 4.856 \text{ N}$

$M_x = m \times g \times L_y$
 $= 0.495 \text{ kg} \times 9.81 \text{ m/s}^2 \times 20 \text{ mm} = 0.097 \text{ Nm}$

$M_y = m \times g \times [(L_{21} + \text{stroke}) - L_x]$
 $= 0.495 \text{ kg} \times 9.81 \text{ m/s}^2 [(25 \text{ mm} + 20 \text{ mm}) - 5 \text{ mm}] = 0.194 \text{ Nm}$

$M_z = 0$ Nm

Combined load:

$$\frac{|F_y|}{F_{y\max}} + \frac{|F_z|}{F_{z\max}} + \frac{|M_x|}{M_{x\max}} + \frac{|M_y|}{M_{y\max}} + \frac{|M_z|}{M_{z\max}}$$

$$= 0 + \frac{4.856\text{N}}{150\text{N}} + \frac{0.097\text{Nm}}{1.1\text{Nm}} + \frac{0.194\text{Nm}}{1.1\text{Nm}} + 0 = 0.297 \leq 1$$

Mini slides SLF

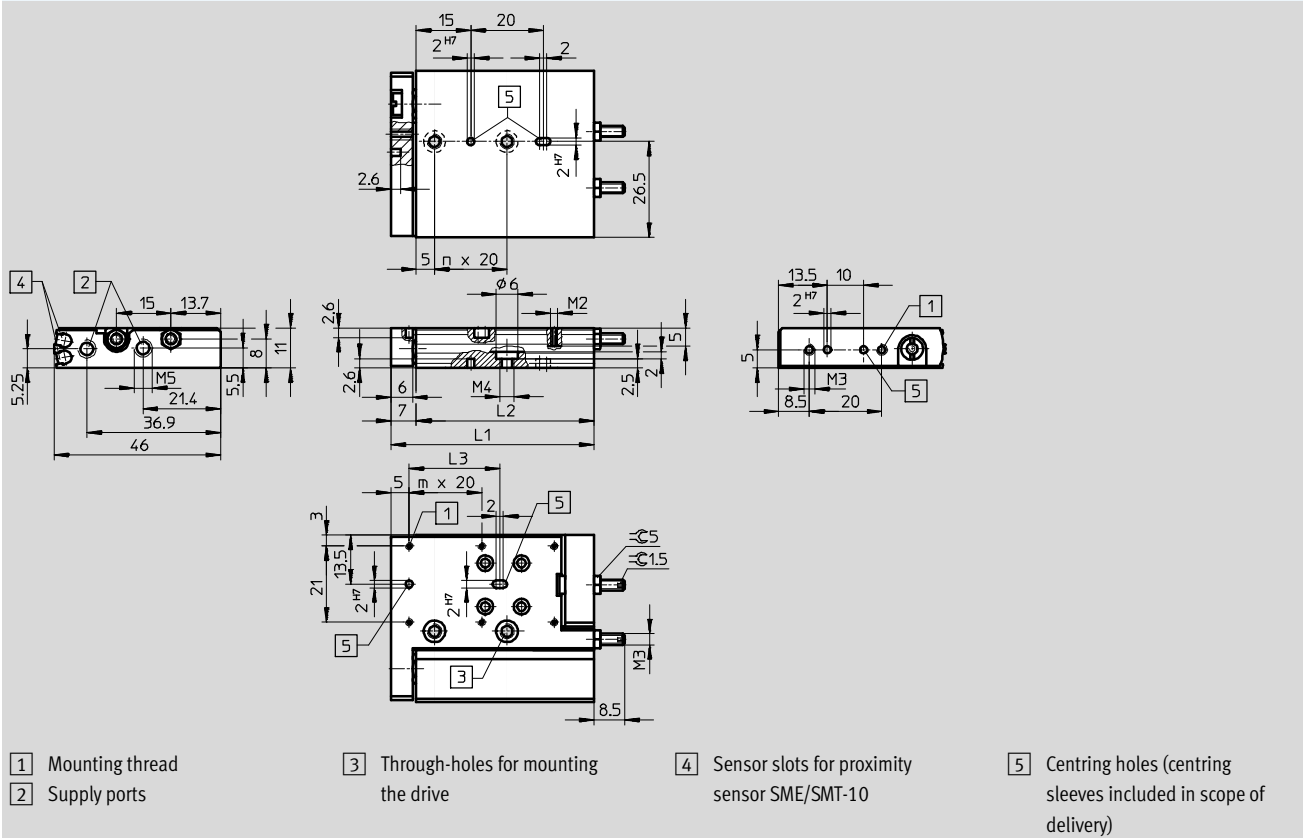
Technical data

FESTO

Dimensions

Download CAD data → www.festo.com

∅ 6



∅	Stroke	L1	L2	L3	m	n
[mm]	[mm]					
6	10	56	49	20	2	1
	20	66	59			2
	30	76	69	40	3	2

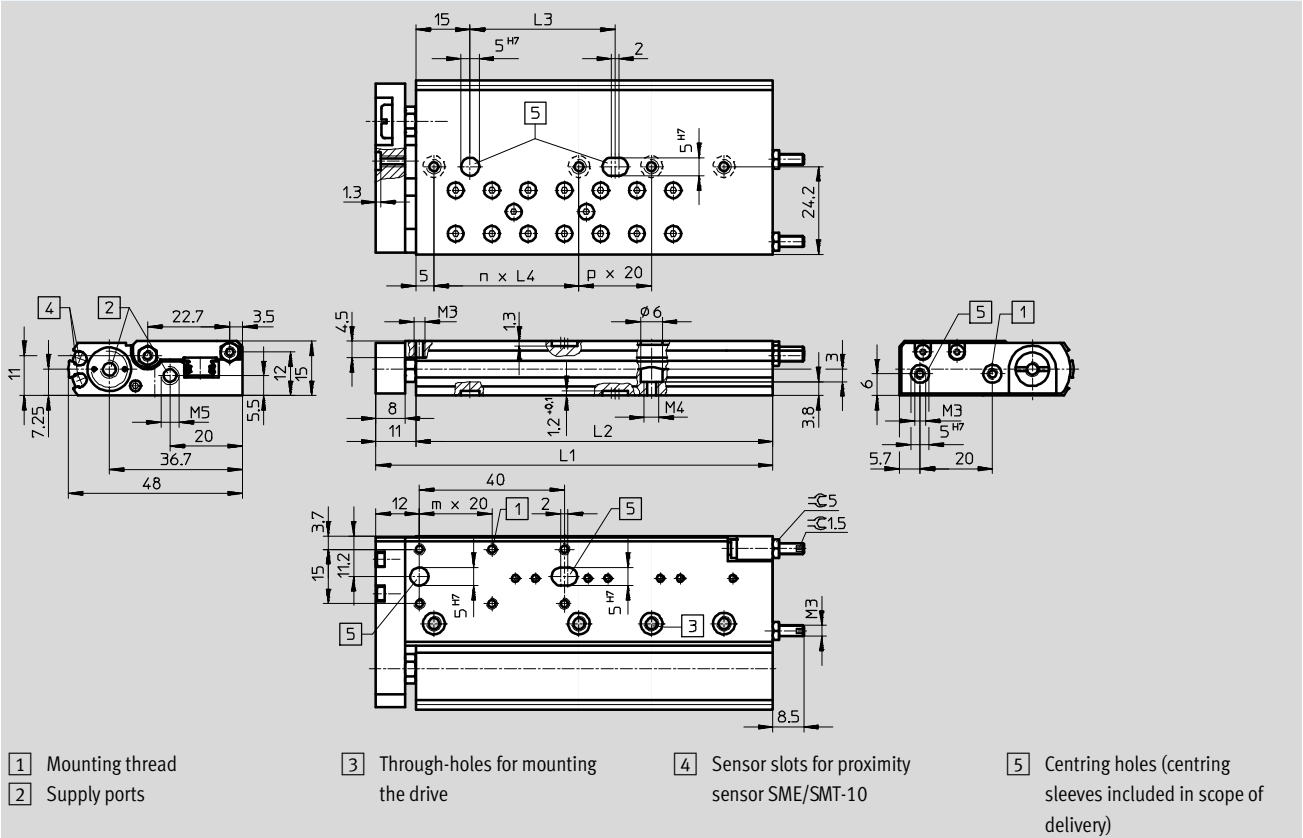
Mini slides SLF

Technical data

Dimensions

Download CAD data → www.festo.com

∅ 10



∅	Stroke	L1	L2	L3	L4	m	n	p
[mm]	[mm]							
10	10	59.5	48.5	20	20	1	1	-
	20	69.5	58.5				2	
	30	79.5	68.5			3		
	40	89.5	78.5	40	40	1	2	
	50	109.5	98.5					

Mini slides SLF

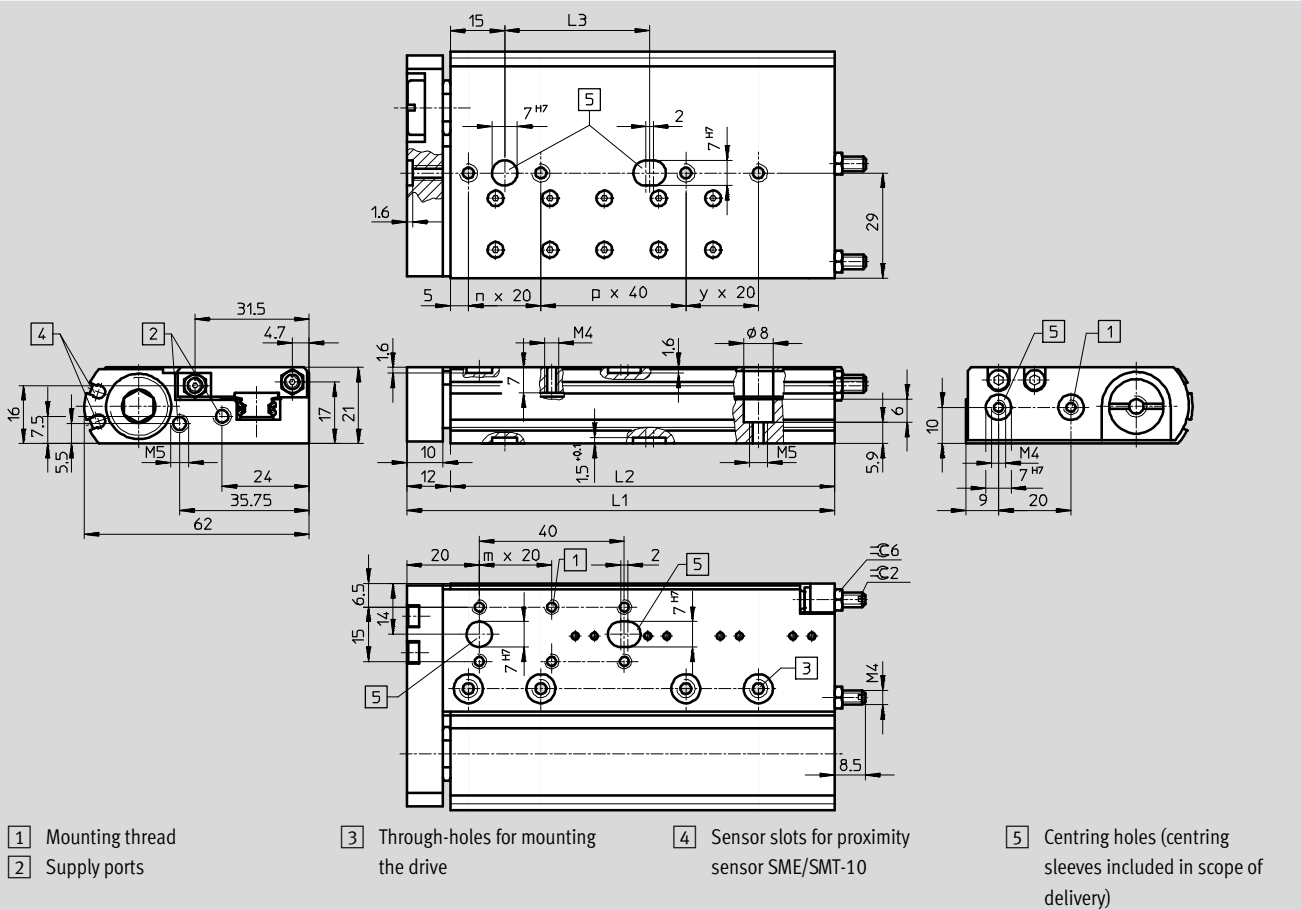
Technical data

FESTO

Dimensions

Download CAD data → www.festo.com

∅ 16



∅	Stroke	L1	L2	L3	m	n	p	y
[mm]	[mm]							
16	10	68	56	20	1	1	-	-
	20	78	66			2		
	30	88	76					
	40	98	86	40	2	3		
	50	118	106			1	1	
	80	160	148				2	-

Mini slides SLF




Technical data

Ordering data			
∅ [mm]	Stroke [mm]	Part No.	Type
6			
	10	170503	SLF-6-10-P-A
	20	170504	SLF-6-20-P-A
	30	170505	SLF-6-30-P-A
10			
	10	170506	SLF-10-10-P-A
	20	170507	SLF-10-20-P-A
	30	170508	SLF-10-30-P-A
	40	170509	SLF-10-40-P-A
	50	170510	SLF-10-50-P-A
16			
	10	170511	SLF-16-10-P-A
	20	170512	SLF-16-20-P-A
	30	170513	SLF-16-30-P-A
	40	170514	SLF-16-40-P-A
	50	170515	SLF-16-50-P-A
	80	170516	SLF-16-80-P-A

Mini slides SLT/SLS/SLF


Accessories

FESTO

Ordering data											
		6		10		16		20		25	
		Part No.	Type	Part No.	Type	Part No.	Type	Part No.	Type	Part No.	Type
Centring pins/sleeves for SLT ¹⁾										Technical data → Internet: zbh	
	Housing	189652	ZBH-5	186717	ZBH-7	150927	ZBH-9	189653	ZBH-12	189653	ZBH-12
	Slide	189652	ZBH-5	189652	ZBH-5	189652	ZBH-5	150927	ZBH-9	189653	ZBH-12
	Yoke	525273	ZBS-2	189652	ZBH-5	186717	ZBH-7	150927	ZBH-9	189653	ZBH-12
Centring pins/sleeves for SLF ¹⁾										Technical data → Internet: zbh	
	Housing	525273	ZBS-2	189652	ZBH-5	186717	ZBH-7	–	–	–	–
	Slide										
	Yoke										
Stop, metallic for SLT-...-P-A ²⁾											
	–	539278	PF-6-SLT	539279	PF-10-SLT	539280	PF-16-SLT	539281	PF-20-SLT	539282	PF-25-SLT

1) Scope of delivery: 10 per pack

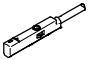
2) Scope of delivery: 2 per pack

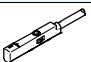
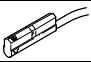
Ordering data – One-way flow control valves					Technical data → Internet: grla	
	Connection		Material	Part No.	Type	
	Thread	For tubing O.D.				
	M5	3	Metal design	193137	GRLA-M5-QS-3-D	
		4		193138	GRLA-M5-QS-4-D	
	G1/8	4		193143	GRLA-1/8-QS-4-D	
		6		193144	GRLA-1/8-QS-6-D	

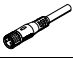

Mini slides SLT/SLS/SLF

Accessories

FESTO

Ordering data – Proximity sensors for C-slot, magneto-resistive						Technical data → Internet: smt	
	Type of mounting	Switch output	Electrical connection, connection direction	Cable length [m]	Part No.	Type	
N/O contact							
	Insertable in the slot from above	PNP	Cable, 3-wire, in-line	2.5	551373	SMT-10M-PS-24V-E-2,5-L-OE	
			Plug M8x1, 3-pin, in-line	0.3	551375	SMT-10M-PS-24V-E-0,3-L-M8D	
			Plug M8x1, 3-pin, lateral	0.3	551376	SMT-10M-PS-24V-E-0,3-Q-M8D	

Ordering data – Proximity sensors for C-slot, magnetic reed						Technical data → Internet: sme	
	Type of mounting	Switch output	Electrical connection, connection direction	Cable length [m]	Part No.	Type	
N/O contact							
	Insertable in the slot from above	Contacting	Plug M8x1, 3-pin, in-line	0.3	551367	SME-10M-DS-24V-E-0,3-L-M8D	
			Cable, 3-wire, in-line	2.5	551365	SME-10M-DS-24V-E-2,5-L-OE	
			Cable, 2-wire, in-line	2.5	551369	SME-10M-ZS-24V-E-2,5-L-OE	
	Insertable in the slot lengthwise	Contacting	Plug M8x1, 3-pin, in-line	0.3	173212	SME-10-SL-LED-24	
			Cable, 3-wire, in-line	2.5	173210	SME-10-KL-LED-24	

Ordering data – Connecting cables				Technical data → Internet: nebu	
	Electrical connection, left	Electrical connection, right	Cable length [m]	Part No.	Type
	Straight socket, M8x1, 3-pin	Cable, open end, 3-wire	2.5	541333	NEBU-M8G3-K-2.5-LE3
			5	541334	NEBU-M8G3-K-5-LE3
	Angled socket, M8x1, 3-pin	Cable, open end, 3-wire	2.5	541338	NEBU-M8W3-K-2.5-LE3
			5	541341	NEBU-M8W3-K-5-LE3


Mini slides SLT

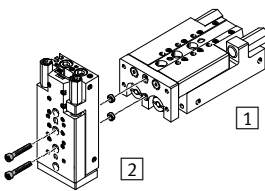
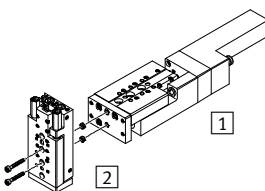
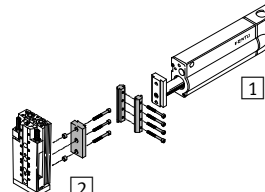
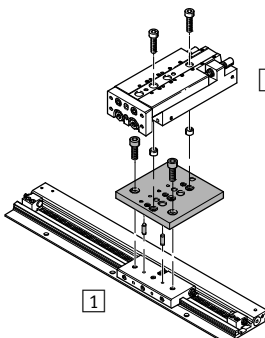
Accessories



Adapter kit
HAPS, HMSV

Material:
Wrought aluminium alloy
Free of copper and PTFE
RoHS-compliant

 Note
The kit includes the individual mounting interface as well as the necessary mounting material.

Permissible drive/drive combinations with adapter kit							Download CAD data → www.festo.com	
Combination	1	2	Adapter kit					
	Drive	Drive	CRC ¹⁾	Part No.	Type	Required quantity	PU ²⁾	
	SLT	SLT	2	–	M3x20 DIN 912 ³⁾	2	–	
	10	6		189652	ZBH-5 ⁴⁾	2	10	
	16	10		186717	ZBH-7 ⁴⁾	2	10	
	20	16		150927	M5x30 DIN 912 ³⁾	2	10	
	25	20		189653	ZBH-9 ⁴⁾	2	10	
	SLTE	SLT	2	–	M3x20 DIN 912 ³⁾	2	–	
	10	6		189652	ZBH-5 ⁴⁾	2	10	
	16	10		186717	ZBH-7 ⁴⁾	2	10	
	HMP	SLT	2	178329	HMSV-34	1	1	
	16	6		178330	HMSV-35	1	1	
	16, 20	10		178331	HMSV-36	1	1	
	16, 20, 25	16		178332	HMSV-37	1	1	
	20, 25, 32	20		178332	HMSV-37	1	1	
	SLG	SLT	2	189533	HAPS-11	1	1	
	8	6		189533	HAPS-11	1	1	
	12	6, 10		189534	HAPS-12	1	1	
	18	10, 16						


- 1) Corrosion resistance class CRC 2 to Festo standard FN 940070
Moderate corrosion stress. Indoor applications in which condensation may occur. External visible parts with primarily decorative requirements for the surface and which are in direct contact with the ambient atmosphere typical for industrial applications.
- 2) Packaging unit quantity
- 3) The screws listed are not included in the scope of delivery of the drives
- 4) The centring sleeves are included in the scope of delivery of the drives

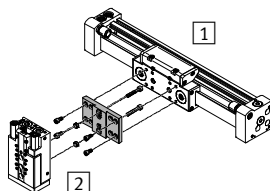
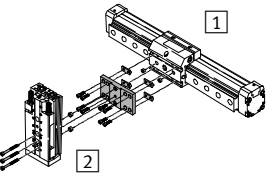
Mini slides SLT

Accessories

**Adapter kit
HMSV**

Material:
Wrought aluminium alloy
Free of copper and PTFE
RoHS-compliant

 Note
The kit includes the individual mounting interface as well as the necessary mounting material.

Permissible drive/drive combinations with adapter kit			Download CAD data → www.festo.com				
Combination	1	2	Adapter kit				
	Drive Size	Drive Size	CRC ¹⁾	Part No.	Type	Required quantity	PU ²⁾
DGC/SLT	DGC	SLT	HMSV				
	18	10	2	189656	HMSV-40	1	1
	18	16		189657	HMSV-41	1	1
	25	16		189658	HMSV-42	1	1
	25	20		189659	HMSV-43	1	1
	32	20		189660	HMSV-44	1	1
	32	25		189661	HMSV-45	1	1
	DGP()L, DGE/SLT	DG...		SLT	HMSV		
	18	10	2	189656	HMSV-40	1	1
	18	16		189657	HMSV-41	1	1
	25	16		189658	HMSV-42	1	1
	25	20		189659	HMSV-43	1	1
	32	20		189660	HMSV-44	1	1
	32	25		189661	HMSV-45	1	1

- 1) Corrosion resistance class CRC 2 to Festo standard FN 940070
Moderate corrosion stress. Indoor applications in which condensation may occur. External visible parts with primarily decorative requirements for the surface and which are in direct contact with the ambient atmosphere typical for industrial applications.
- 2) Packaging unit quantity


Mini slides SLF

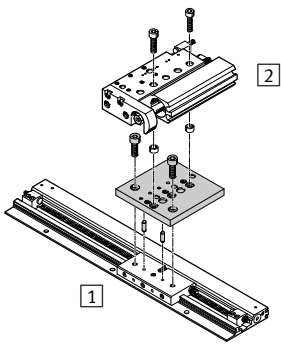
Accessories



**Adapter kit
HAPS**

Material:
Wrought aluminium alloy
Free of copper and PTFE
RoHS-compliant

 Note
The kit includes the individual mounting interface as well as the necessary mounting material.

Permissible drive/drive combinations with adapter kit			Download CAD data → www.festo.com			
Combination	1 Drive	2 Drive	Adapter kit		Required quantity	PU ²⁾
	Size	Size	CRC ¹⁾	Part No. Type		
SLG/SLF	SLG	SLF/SLF	HAPS			
	8, 12	6, 10	2	189533 HAPS-11	1	1
	12	16		189533 HAPS-11	1	1
	18	10, 16		189534 HAPS-12	1	1

- 1) Corrosion resistance class CRC 2 to Festo standard FN 940070
Moderate corrosion stress. Indoor applications in which condensation may occur. External visible parts with primarily decorative requirements for the surface and which are in direct contact with the ambient atmosphere typical for industrial applications.
- 2) Packaging unit quantity