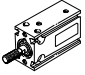
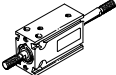
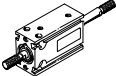
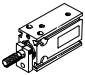
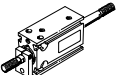
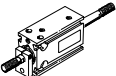
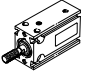
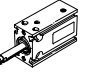
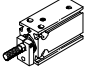
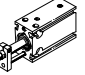


Compact cylinders DMM/EMM, Multimount



Compact cylinders DMM/EMM, Multimount

Product range overview

Function	Version	Type	Piston Ø [mm]	Stroke [mm]	Position sensing
Double-acting	Basic version				
		DMM Piston rod at one end	10	5, 10, 15, 20, 25, 30	■
			16	5, 10, 15, 20, 25, 30, 40	
			20, 25, 32	5, 10, 15, 20, 25, 30, 40, 50	
		DMM...-S2 Through piston rod	10	5, 10, 15, 20, 25, 30	■
			16	5, 10, 15, 20, 25, 30, 40	
			20, 25, 32	5, 10, 15, 20, 25, 30, 40, 50	
		DMM...-S20 Through, hollow piston rod	16	5, 10, 15, 20, 25, 30, 40	■
			20, 25, 32	5, 10, 15, 20, 25, 30, 40, 50	
	Non-rotating version				
		DMML Piston rod at one end	10	5, 10, 15, 20, 25, 30	■
			16	5, 10, 15, 20, 25, 30, 40	
			20, 25, 32	5, 10, 15, 20, 25, 30, 40, 50	
		DMML...-S2 Through piston rod	10	5, 10, 15, 20, 25, 30	■
			16	5, 10, 15, 20, 25, 30, 40	
20, 25, 32			5, 10, 15, 20, 25, 30, 40, 50		
	DMML...-S20 Through, hollow piston rod	16	5, 10, 15, 20, 25, 30, 40	■	
		20, 25, 32	5, 10, 15, 20, 25, 30, 40, 50		
Single-acting	Basic version				
		EMM Piston rod at one end, pushing	10, 16, 20, 25, 32	5, 10, 15	■
			10, 16, 20, 25, 32	5, 10, 15	
		EMMZ Piston rod at one end, pulling	10, 16, 20, 25, 32	5, 10, 15	■
			10, 16, 20, 25, 32	5, 10, 15	
	Non-rotating version				
		EMML Piston rod at one end, pushing	10, 16, 20, 25, 32	5, 10, 15	■
10, 16, 20, 25, 32			5, 10, 15		
	EMMLZ Piston rod at one end, pulling	10, 16, 20, 25, 32	5, 10, 15	■	
		10, 16, 20, 25, 32	5, 10, 15		

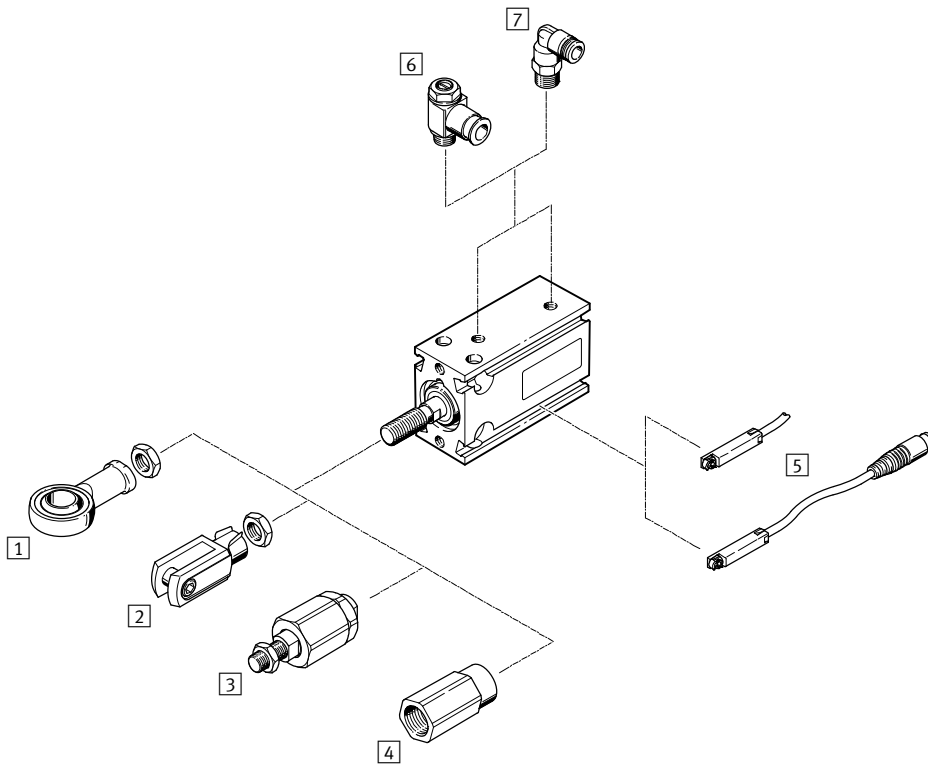
Compact cylinders DMM/EMM, Multimount

Product range overview

Type	Piston rod with male thread	S6 Heat resistant up to 120 °C	→ Page/Internet
Basic version			
DMM Piston rod at one end	■	■	7
DMM-...-S2 Through piston rod	■	-	7
DMM-...-S20 Through, hollow piston rod	■	-	7
Non-rotating version			
DMML Piston rod at one end	■	■	7
DMML-...-S2 Through piston rod	■	-	7
DMML-...-S20 Through, hollow piston rod	■	-	7
Basic version			
EMM Piston rod at one end, pushing	■	■	13
EMMZ Piston rod at one end, pulling	■	■	13
Non-rotating version			
EMML Piston rod at one end, pushing	■	■	13
EMMLZ Piston rod at one end, pulling	■	■	13

Compact cylinders DMM/EMM, Multimount

Peripherals overview



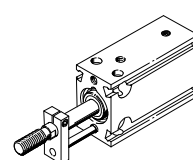
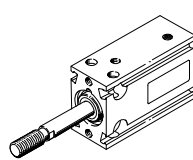
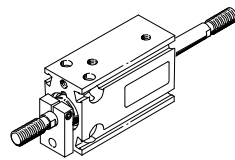
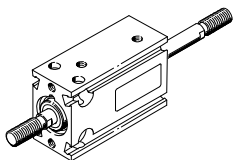
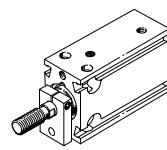
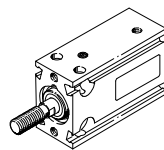
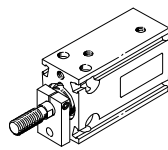
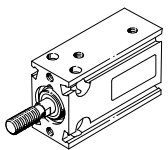
Variants

DMM
DMM-...-S2, DMM-...-S20

DMML
DMML-...-S2, DMML-...-S20

EMM
EMMZ

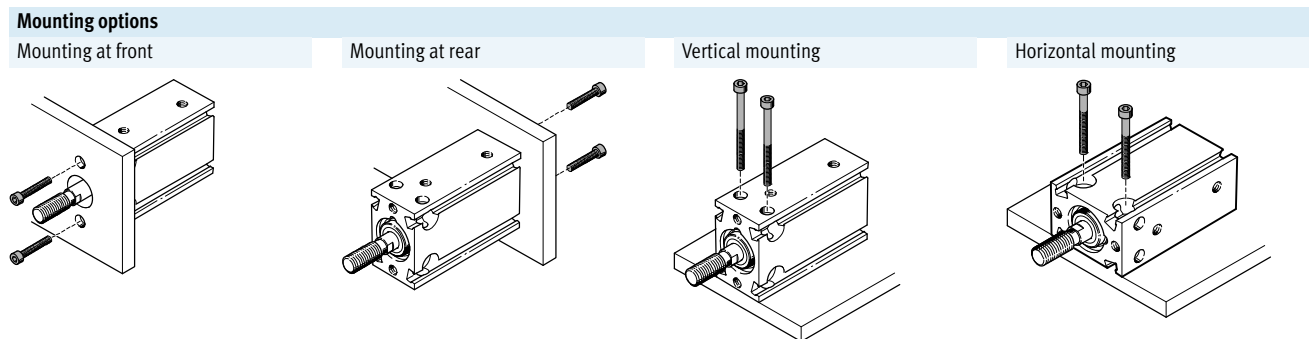
EMML
EMMLZ



Compact cylinders DMM/EMM, Multimount

Peripherals overview

Accessories						
	Brief description	DMM DMM-...-S2 DMM-...-S20	DMML DMML-...-S2 DMML-...-S20	EMM EMMZ	EMML EMMLZ	→ Page/Internet
1	Rod eye SGS	■	■	■	■	18
2	Rod clevis SG	■	■	■	■	18
3	Self-aligning rod coupler FK	■	■	■	■	18
4	Adapter AD	■ S20	■ S20	-	-	18
5	Proximity sensor SME/SMT-8	■	■	■	■	18
6	One-way flow control valve GRLA/GRLZ	■	■	■	■	19
7	Push-in connector QS	■	■	■	■	qs



Compact cylinders DMM/EMM, Multimount

Type code

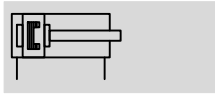
DMML – 25 – 30 – P – A – S2

Type	
Double-acting	
DMM	Basic version
DMML	Non-rotating version
Single-acting	
EMM	Basic version
EMMZ	Basic version, pulling
EMML	Non-rotating version
EMMLZ	Non-rotating version, pulling
Piston Ø [mm]	
Stroke [mm]	
Cushioning	
P	Flexible cushioning rings/plates at both ends
Position sensing	
A	For proximity sensing
Variant	
S2	Through piston rod
S6	Heat resistant up to 120 °C
S20	Through, hollow piston rod

Compact cylinders DMM, Multimount

Technical data

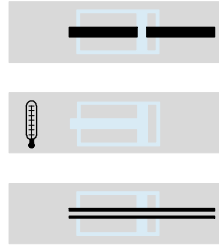
Function



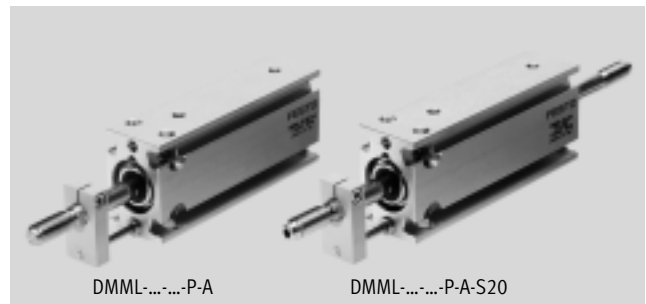
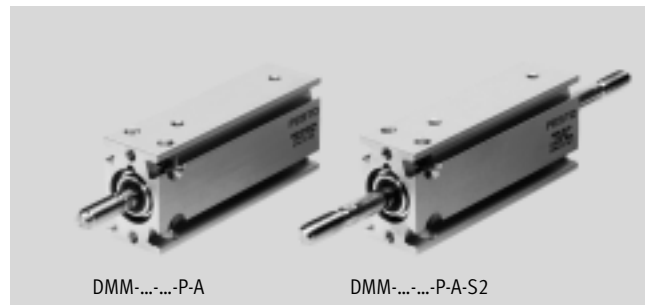
- - Diameter
10 ... 32 mm
- - Stroke length
5 ... 50 mm

- - www.festo.com

Variants



S2
S6
S20



General technical data					
Piston Ø	10	16	20	25	32
Pneumatic connection	M3	M5	M5	M5	G1/8
End of piston rod Male thread	M4	M6	M8	M10x1.25	M10x1.25
Operating medium	Compressed air in accordance with ISO 8573-1:2010 [7:4:4]				
Note on operating/pilot medium	Operation with lubricated medium possible (in which case lubricated operation will always be required)				
Max. operating pressure [bar]	10				
Constructional design	Piston				
	Piston rod				
Cushioning	Flexible cushioning rings/plates at both ends				
Position sensing	For proximity sensing				
Type of mounting	Via through holes				
	Via female thread				
Mounting position	Any				

Ambient conditions		
Variant	Basic version	S6
Ambient temperature ¹⁾ [°C]	-20 ... +80	0 ... +120

1) Note operating range of proximity sensors

Compact cylinders DMM, Multimount

Technical data

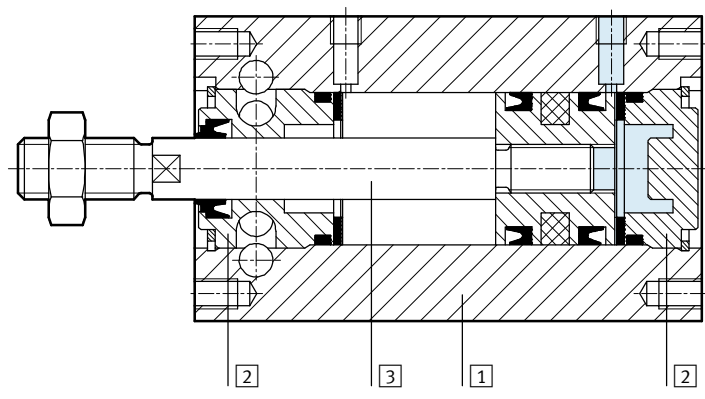
Forces [N] and impact energy [J]					
Piston \varnothing	10	16	20	25	32
Theoretical force at 6 bar, advancing		47	121	188	295
	S2/S20	40	104	158	247
Theoretical force at 6 bar, retracting		40	104	158	247
	S2/S20	40	104	158	247
Max. impact energy at end positions	0.1	0.2	0.3	0.6	0.6

Technical data – Protection against rotation					
Piston \varnothing	10	16	20	25	32
Max. torque at the piston rod ¹⁾ [Nm]	0.02	0.01	0.01	0.015	0.02

1) The max. torque must not be exceeded even when fitting attachments.

Materials

Sectional view



Compact cylinder	Basic version	S6
1) Housing	Wrought aluminium alloy	Wrought aluminium alloy
2) Plug cap	Brass	Brass
3) Piston rod	High-alloy stainless steel	High-alloy stainless steel
- Seals	Polyurethane	Fluorocarbon rubber

Compact cylinders DMM, Multimount

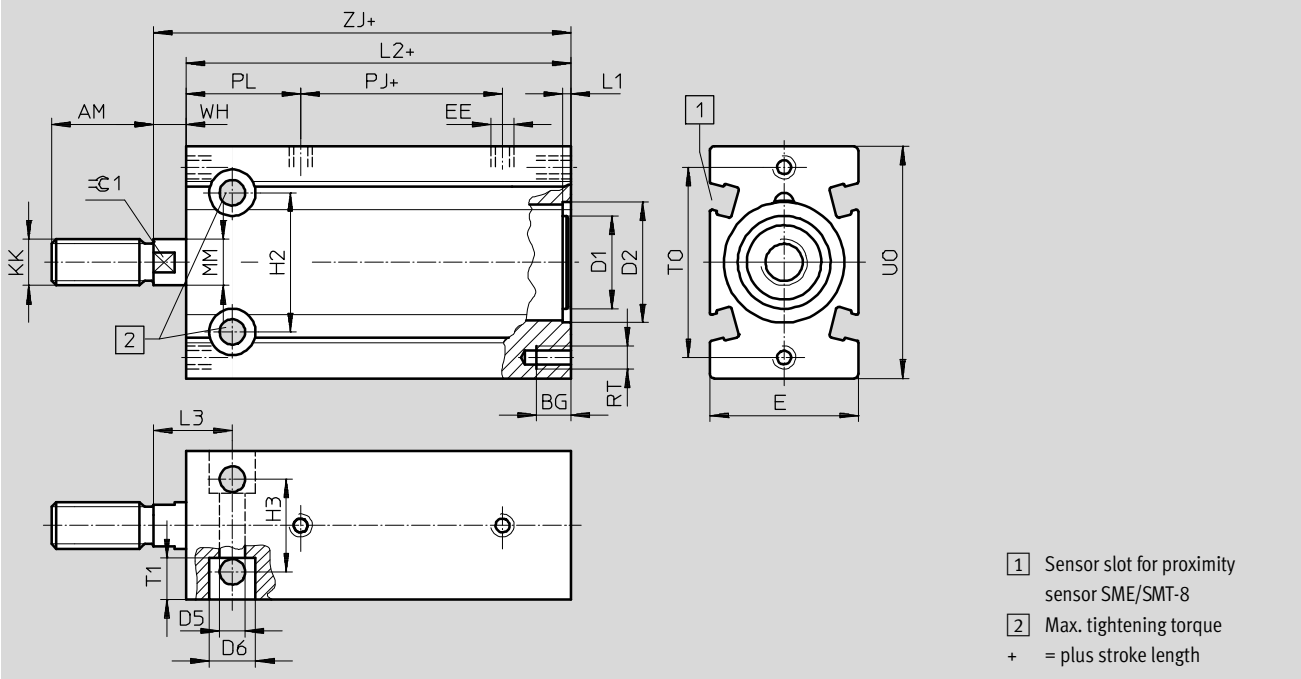
Technical data

FESTO

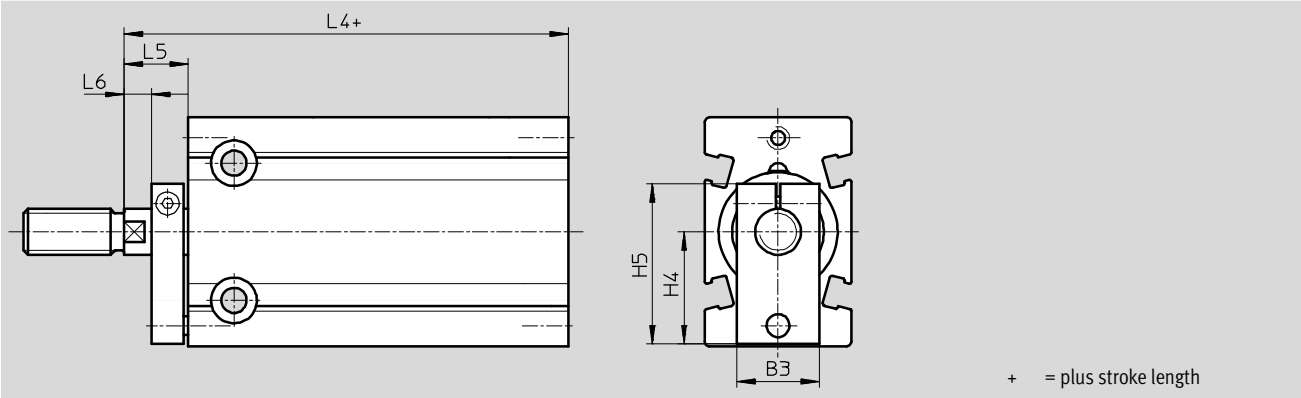
Dimensions – Basic cylinder

Download CAD data → www.festo.com

Basic version DMM



Non-rotating version DMML



∅	AM	B3	BG	D1	D2	D5	D6	E	EE	H2	H3	H4	H5	KK	L1	L2
[mm]			+0.5	∅	∅	∅	∅									
				H7	H7	+0.2	+0.3									
10	12	14	5	–	10.8	3.4	6	15	M3	13	9	11	19.5	M4	0.9	48
16	16	15	6	12.9	17	4.3	7.5	20	M5	19	13	15.5	24	M6	0.9	52
20	20	15	7.5	16	21	5.5	10	26	M5	24	16	19.5	29	M8	1.9	55
25	22	18	7.5	20	26	5.5	10	32	M5	30	20	24.5	36	M10x1.25	1.9	58
32	22	20	9	26	33	6.6	11	40	G ¹ / ₈	40	24	30.5	45	M10x1.25	1.9	62

∅	L3	L4	L5	L6	MM	PJ	PL	RT	T1	U0	T0	WH	ZJ	∅C1	Max. tightening torque
[mm]					∅									h13	[Nm] +10%
10	11	57	9	–	4	12	24	M3	5	25	19	2	50	–	1
16	13.5	64	12	3	6	16.5	22	M4	5.5	32	27	5	57	5	2.5
20	16	68	13	4	8	16.8	25.7	M5	8	40	33	6	61	7	3
25	17	72	14	5	10	18.5	24.7	M5	9	50	41	7	65	9	8
32	19	77	15	6	12	19	26	M6	11.5	62	52	8	70	10	9

Compact cylinders DMM, Multimount

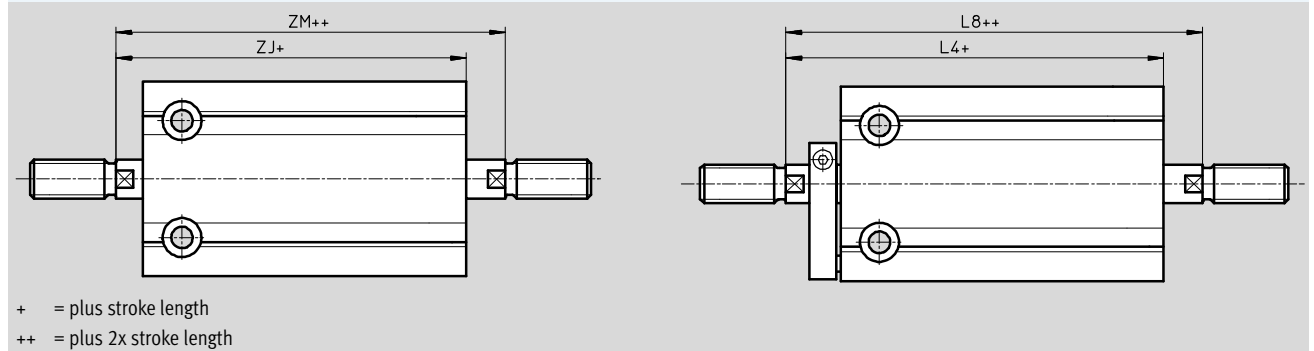
Technical data

Dimensions – Variants Download CAD data → www.festo.com

S2 – Through piston rod

Basic version DMM

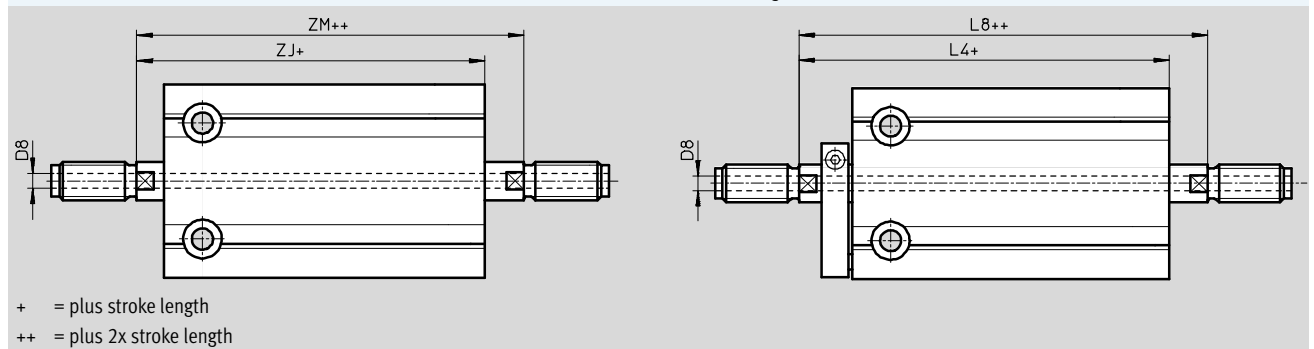
Non-rotating version DMML



S20 – Through, hollow piston rod

Basic version DMM


Non-rotating version DMML



∅	D8	L4	L8	ZJ	ZM
[mm]	∅				
10	-	57	59	50	52
16	2.3	64	69	57	62
20	3.2	68	74	61	67
25	3.8	72	79	65	72
32	4.5	77	85	70	78

Compact cylinders DMM, Multimount

Technical data

Ordering data – Basic cylinder							
Type	Piston Ø [mm]	Stroke ¹⁾ [mm]	Basic version DMM		Non-rotating version DMML		
			Part No.	Type	Part No.	Type	
	10	5	158502	DMM-10-5-P-A	158557	DMML-10-5-P-A	
		10	158503	DMM-10-10-P-A	158558	DMML-10-10-P-A	
		15	158504	DMM-10-15-P-A	158559	DMML-10-15-P-A	
		20	158505	DMM-10-20-P-A	158560	DMML-10-20-P-A	
		25	158506	DMM-10-25-P-A	158561	DMML-10-25-P-A	
		30	158507	DMM-10-30-P-A	158562	DMML-10-30-P-A	
	16	5	158511	DMM-16-5-P-A	158566	DMML-16-5-P-A	
		10	158512	DMM-16-10-P-A	158567	DMML-16-10-P-A	
		15	158513	DMM-16-15-P-A	158568	DMML-16-15-P-A	
		20	158514	DMM-16-20-P-A	158569	DMML-16-20-P-A	
		25	158515	DMM-16-25-P-A	158570	DMML-16-25-P-A	
		30	158516	DMM-16-30-P-A	158571	DMML-16-30-P-A	
		40	178210	DMM-16-40-P-A	178328	DMML-16-40-P-A	
	20	5	158521	DMM-20-5-P-A	158576	DMML-20-5-P-A	
		10	158522	DMM-20-10-P-A	158577	DMML-20-10-P-A	
		15	158523	DMM-20-15-P-A	158578	DMML-20-15-P-A	
		20	158524	DMM-20-20-P-A	158579	DMML-20-20-P-A	
		25	158525	DMM-20-25-P-A	158580	DMML-20-25-P-A	
		30	158526	DMM-20-30-P-A	158581	DMML-20-30-P-A	
		40	158527	DMM-20-40-P-A	158582	DMML-20-40-P-A	
		50	158528	DMM-20-50-P-A	158583	DMML-20-50-P-A	
	25	5	158533	DMM-25-5-P-A ²⁾	158588	DMML-25-5-P-A ²⁾	
		10	158534	DMM-25-10-P-A ²⁾	158589	DMML-25-10-P-A ²⁾	
		15	158535	DMM-25-15-P-A ²⁾	158590	DMML-25-15-P-A ²⁾	
		20	158536	DMM-25-20-P-A ²⁾	158591	DMML-25-20-P-A ²⁾	
25		158537	DMM-25-25-P-A ²⁾	158592	DMML-25-25-P-A ²⁾		
30		158538	DMM-25-30-P-A ²⁾	158593	DMML-25-30-P-A ²⁾		
40		158539	DMM-25-40-P-A ²⁾	158594	DMML-25-40-P-A ²⁾		
50		158540	DMM-25-50-P-A ²⁾	158595	DMML-25-50-P-A ²⁾		
32	5	158545	DMM-32-5-P-A ²⁾	158600	DMML-32-5-P-A ²⁾		
	10	158546	DMM-32-10-P-A ²⁾	158601	DMML-32-10-P-A ²⁾		
	15	158547	DMM-32-15-P-A ²⁾	158602	DMML-32-15-P-A ²⁾		
	20	158548	DMM-32-20-P-A ²⁾	158603	DMML-32-20-P-A ²⁾		
	25	158549	DMM-32-25-P-A ²⁾	158604	DMML-32-25-P-A ²⁾		
	30	158550	DMM-32-30-P-A ²⁾	158605	DMML-32-30-P-A ²⁾		
	40	158551	DMM-32-40-P-A ²⁾	158606	DMML-32-40-P-A ²⁾		
	50	158552	DMM-32-50-P-A ²⁾	158607	DMML-32-50-P-A ²⁾		




1) Additional stroke lengths upon request

2) The scope of delivery includes a hexagonal nut for the piston rod thread

Compact cylinders DMM, Multimount

Technical data

FESTO

Ordering data – Variants						
Type	Piston Ø [mm]	Stroke ¹⁾ [mm]	Basic version DMM		Non-rotating version DMML	
			Part No.	Type	Part No.	Type
S2 – Through piston rod						
	10	5, 10, 20, 25, 30	158508	DMM-10-...-P-A-S2	158563	DMML-10-...-P-A-S2
	16	5, 10, 15, 20, 25, 30, 40	158517	DMM-16-...-P-A-S2	158572	DMML-16-...-P-A-S2
	20	5, 10, 15, 20, 25, 30, 40, 50	158529	DMM-20-...-P-A-S2	158584	DMML-20-...-P-A-S2
	25	5, 10, 15, 20, 25, 30, 40, 50	158541	DMM-25-...-P-A-S2²⁾	158596	DMML-25-...-P-A-S2²⁾
	32	5, 10, 15, 20, 25, 30, 40, 50	158553	DMM-32-...-P-A-S2²⁾	158608	DMML-32-...-P-A-S2²⁾
S6 – Heat resistant up to 120 °C						
	10	5, 10, 15, 20, 25, 30	158509	DMM-10-...-P-A-S6	158564	DMML-10-...-P-A-S6
	16	5, 10, 15, 20, 25, 30, 40	158518	DMM-16-...-P-A-S6	158573	DMML-16-...-P-A-S6
	20	5, 10, 15, 20, 25, 30, 40, 50	158530	DMM-20-...-P-A-S6	158585	DMML-20-...-P-A-S6
	25	5, 10, 15, 20, 25, 30, 40, 50	158542	DMM-25-...-P-A-S6²⁾	158597	DMML-25-...-P-A-S6²⁾
	32	5, 10, 15, 20, 25, 30, 40, 50	158554	DMM-32-...-P-A-S6²⁾	158609	DMML-32-...-P-A-S6²⁾
S20 – Through, hollow piston rod						
	16	5, 10, 15, 20, 25, 30, 40	158519	DMM-16-...-P-A-S20	158574	DMML-16-...-P-A-S20
	20	5, 10, 15, 20, 25, 30, 40, 50	158531	DMM-20-...-P-A-S20	158586	DMML-20-...-P-A-S20
	25	5, 10, 15, 20, 25, 30, 40, 50	158543	DMM-25-...-P-A-S20²⁾	158598	DMML-25-...-P-A-S20²⁾
	32	5, 10, 15, 20, 25, 30, 40, 50	158555	DMM-32-...-P-A-S20²⁾	158610	DMML-32-...-P-A-S20²⁾

1) Additional stroke lengths upon request

2) The scope of delivery includes a hexagonal nut for the piston rod thread

Compact cylinders EMM, Multimount

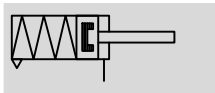
Technical data

Function

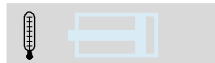
EMM, EMML



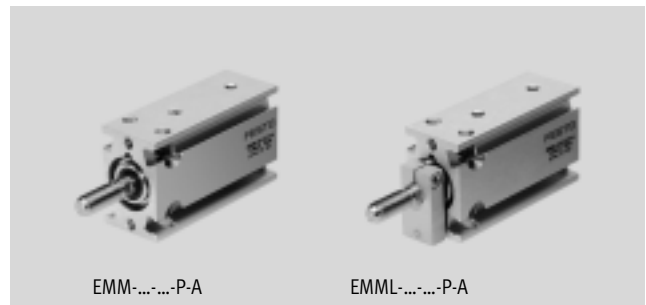
EMMZ, EMMLZ



Variants

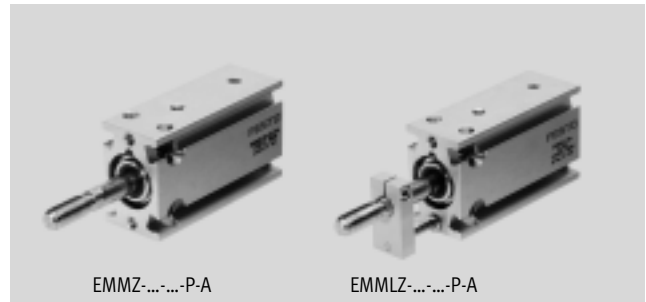


S6



EMM-...-P-A

EMML-...-P-A



EMMZ-...-P-A

EMMLZ-...-P-A

- - Diameter
10 ... 32 mm
- - Stroke length
5 ... 15 mm
- - www.festo.com

General technical data					
Piston Ø	10	16	20	25	32
Pneumatic connection	M3	M5	M5	M5	G $\frac{1}{8}$
End of piston rod Male thread	M4	M6	M8	M10x1.25	M10x1.25
Operating medium	Compressed air in accordance with ISO 8573-1:2010 [7:4:4]				
Note on operating/pilot medium	Operation with lubricated medium possible (in which case lubricated operation will always be required)				
Max. operating pressure [bar]	10				
Max. applied load ¹⁾ [g]	40	120	160	260	320
Constructional design	Piston				
	Piston rod				
Cushioning	Flexible cushioning rings/plates at both ends				
Position sensing	For proximity sensing				
Type of mounting	Via through holes				
	Via female thread				
Mounting position	Any				

1) At 6 bar. For other values see graph "Maximum permissible impact velocity v as a function of the applied load m" → 14

Ambient conditions		
Variant	Basic version	S6
Ambient temperature ¹⁾ [°C]	-20 ... +80	0 ... +120

1) Note operating range of proximity sensors

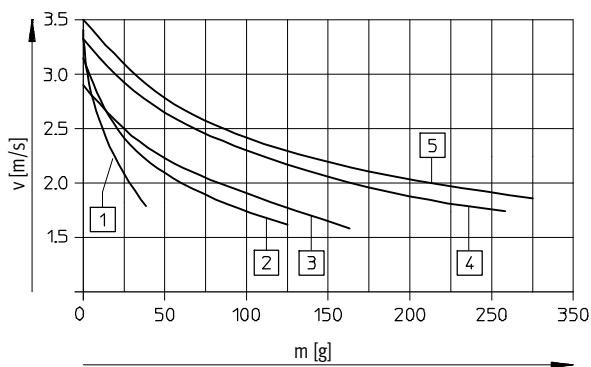
Compact cylinders EMM, Multimount

Technical data

FESTO

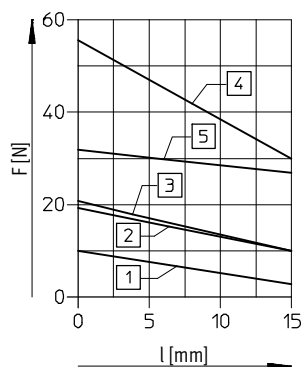
Forces [N] and impact energy [J]						
Piston \varnothing		10	16	20	25	32
Theoretical force at 6 bar, advancing	EMM/EMML	37	101	165	227	456
	EMMZ/EMMLZ	30	84	135	179	388
Max. impact energy at end positions		0.1	0.2	0.3	0.6	0.6

Maximum permissible impact velocity v as a function of the applied load m



- 1 \varnothing 10 mm
- 2 \varnothing 16 mm
- 3 \varnothing 20 mm
- 4 \varnothing 25 mm

Minimum spring return force F as a function of the stroke l



- 5 \varnothing 32 mm

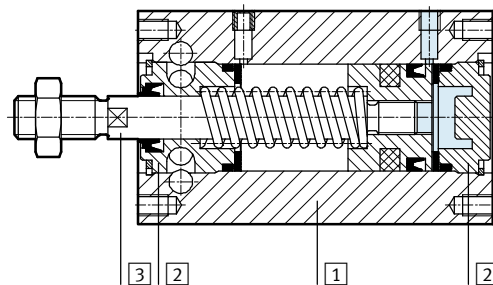
Technical data – Protection against rotation

Piston \varnothing		10	16	20	25	32
Max. torque at the piston rod ¹⁾	[Nm]	0.02	0.01	0.01	0.015	0.02

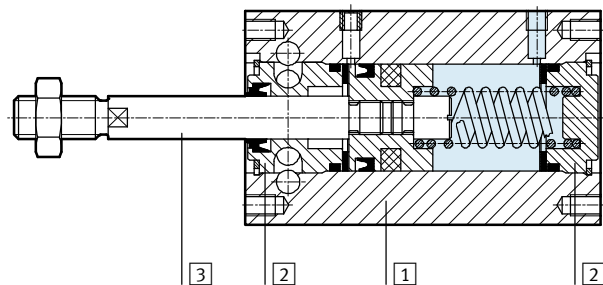
1) The max. torque must not be exceeded even when fitting attachments

Materials

Sectional view EMM(L) – Pushing



Sectional view EMM(L)Z – Pulling



Compact cylinder	Basic version	S6
1 Housing	Wrought aluminium alloy	Wrought aluminium alloy
2 Plug cap	Brass	Brass
3 Piston rod	High-alloy stainless steel	High-alloy stainless steel
– Seals	Polyurethane	Fluorocarbon rubber

Compact cylinders EMM, Multimount

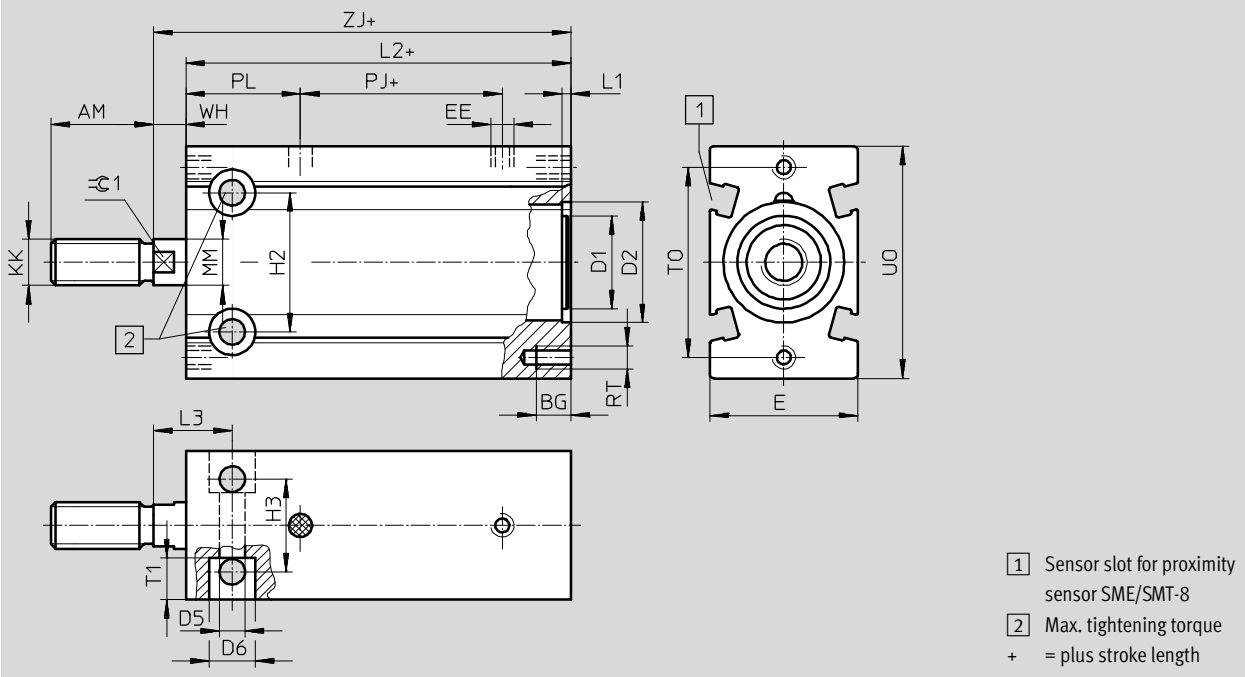
Technical data

FESTO

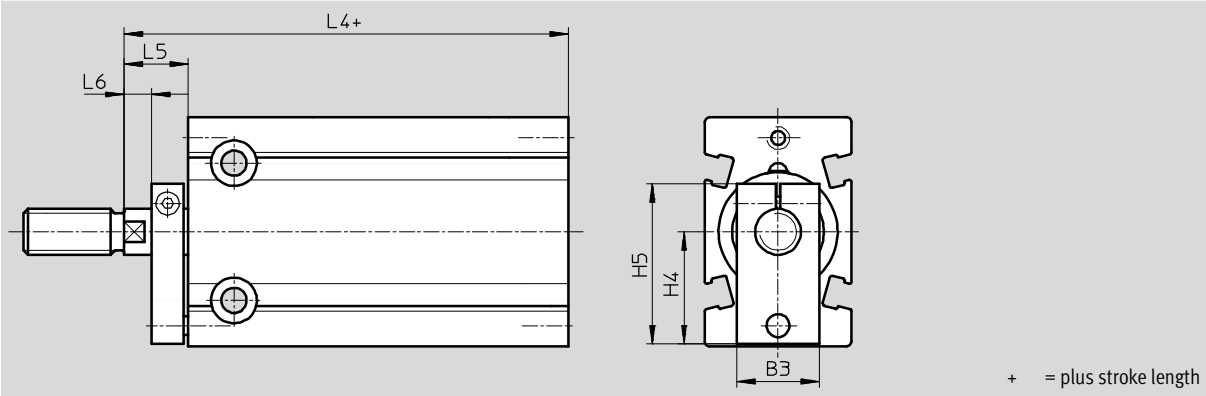
Dimensions

Download CAD data → www.festo.com

Basic version EMM – Pushing



Non-rotating version EMML – Pushing



∅	AM	B3	BG	D1	D2	D5	D6	E	EE	H2	H3	H4	H5	KK	L1	L2
[mm]			+0.5	∅	∅	∅	∅									
10	12	14	5	–	10.8	3.4	6	15	M3	13	9	11	19.5	M4	0.9	48
16	16	15	6	12.9	17	4.3	7.5	20	M5	19	13	15.5	24	M6	0.9	52
20	20	15	7.5	16	21	5.5	10	26	M5	24	16	19.5	29	M8	1.9	55
25	22	18	7.5	20	26	5.5	10	32	M5	30	20	24.5	36	M10x1.25	1.9	58
32	22	20	9	26	33	6.6	11	40	G $\frac{1}{8}$	40	24	30.5	45	M10x1.25	1.9	62

∅	L3	L4	L5	L6	MM	PJ	PL	RT	T1	U0	T0	WH	ZJ	∅C1	Max. tightening torque
[mm]					∅									h13	[Nm] +10%
10	11	57	9	–	4	12	24	M3	5	25	19	2	50	–	1
16	13.5	64	12	3	6	16.5	22	M4	5.5	32	27	5	57	5	2.5
20	16	68	13	4	8	16.8	25.7	M5	8	40	33	6	61	7	3
25	17	72	14	5	10	18.5	24.7	M5	9	50	41	7	65	9	8
32	19	77	15	6	12	19	26	M6	11.5	62	52	8	70	10	9

Compact cylinders EMM, Multimount

Technical data

FESTO

Dimensions Download CAD data → www.festo.com

Basic version EMMZ – Pulling Non-rotating version EMMLZ – Pulling

+ = plus stroke length
++ = plus 2x stroke length

∅	L4	L5	WH	ZJ
[mm]				
10	57	9	2	50
16	64	12	5	57
20	68	13	6	61
25	72	14	7	65
32	77	15	8	70

Ordering data – Basic cylinder, pushing


Type	Piston ∅ [mm]	Stroke ¹⁾ [mm]	Basic version EMM		Non-rotating version EMML	
			Part No.	Type	Part No.	Type
	10	5	158612	EMM-10-5-P-A	158637	EMML-10-5-P-A
		10	158613	EMM-10-10-P-A	158638	EMML-10-10-P-A
		15	158614	EMM-10-15-P-A	158639	EMML-10-15-P-A
	16	5	158617	EMM-16-5-P-A	158642	EMML-16-5-P-A
		10	158618	EMM-16-10-P-A	158643	EMML-16-10-P-A
		15	158619	EMM-16-15-P-A	158644	EMML-16-15-P-A
	20	5	158622	EMM-20-5-P-A	158647	EMML-20-5-P-A
		10	158623	EMM-20-10-P-A	158648	EMML-20-10-P-A
		15	158624	EMM-20-15-P-A	158649	EMML-20-15-P-A
	25	5	158627	EMM-25-5-P-A ²⁾	158652	EMML-25-5-P-A ²⁾
		10	158628	EMM-25-10-P-A ²⁾	158653	EMML-25-10-P-A ²⁾
		15	158629	EMM-25-15-P-A ²⁾	158654	EMML-25-15-P-A ²⁾
32	5	158632	EMM-32-5-P-A ²⁾	158657	EMML-32-5-P-A ²⁾	
	10	158633	EMM-32-10-P-A ²⁾	158658	EMML-32-10-P-A ²⁾	
	15	158634	EMM-32-15-P-A ²⁾	158659	EMML-32-15-P-A ²⁾	

- 1) Additional stroke lengths upon request
2) The scope of delivery includes a hexagonal nut for the piston rod thread


Compact cylinders EMM, Multimount

Technical data


FESTO

Ordering data – Basic cylinder, pulling						
Type	Piston Ø [mm]	Stroke ¹⁾ [mm]	Basic version EMMZ		Non-rotating version EMMLZ	
			Part No.	Type	Part No.	Type
	10	5	158662	EMMZ-10-5-P-A	158687	EMMLZ-10-5-P-A
		10	158663	EMMZ-10-10-P-A	158688	EMMLZ-10-10-P-A
		15	158664	EMMZ-10-15-P-A	158689	EMMLZ-10-15-P-A
	16	5	158667	EMMZ-16-5-P-A	158692	EMMLZ-16-5-P-A
		10	158668	EMMZ-16-10-P-A	158693	EMMLZ-16-10-P-A
		15	158669	EMMZ-16-15-P-A	158694	EMMLZ-16-15-P-A
	20	5	158672	EMMZ-20-5-P-A	158697	EMMLZ-20-5-P-A
		10	158673	EMMZ-20-10-P-A	158698	EMMLZ-20-10-P-A
		15	158674	EMMZ-20-15-P-A	158699	EMMLZ-20-15-P-A
	25	5	158677	EMMZ-25-5-P-A ²⁾	158702	EMMLZ-25-5-P-A ²⁾
		10	158678	EMMZ-25-10-P-A ²⁾	158703	EMMLZ-25-10-P-A ²⁾
		15	158679	EMMZ-25-15-P-A ²⁾	158704	EMMLZ-25-15-P-A ²⁾
	32	5	158682	EMMZ-32-5-P-A ²⁾	158707	EMMLZ-32-5-P-A ²⁾
		10	158683	EMMZ-32-10-P-A ²⁾	158708	EMMLZ-32-10-P-A ²⁾
		15	158684	EMMZ-32-15-P-A ²⁾	158709	EMMLZ-32-15-P-A ²⁾

- 1) Additional stroke lengths upon request
- 2) The scope of delivery includes a hexagonal nut for the piston rod thread

Ordering data – Pushing variants						
Type	Piston Ø [mm]	Stroke ¹⁾ [mm]	Basic version EMM		Non-rotating version EMML	
			Part No.	Type	Part No.	Type
S6 – Heat resistant up to 120 °C						
	10	5, 10, 15	158615	EMM-10-...-P-A-S6	158640	EMML-10-...-P-A-S6
	16	5, 10, 15	158620	EMM-16-...-P-A-S6	158645	EMML-16-...-P-A-S6
	20	5, 10, 15	158625	EMM-20-...-P-A-S6	158650	EMML-20-...-P-A-S6
	25	5, 10, 15	158630	EMM-25-...-P-A-S6 ²⁾	158655	EMML-25-...-P-A-S6 ²⁾
	32	5, 10, 15	158635	EMM-32-...-P-A-S6 ²⁾	158660	EMML-32-...-P-A-S6 ²⁾

- 1) Additional stroke lengths upon request
- 2) The scope of delivery includes a hexagonal nut for the piston rod thread


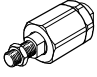
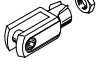
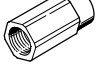
Ordering data – Pulling variants						
Type	Piston Ø [mm]	Stroke ¹⁾ [mm]	Basic version EMMZ		Non-rotating version EMMLZ	
			Part No.	Type	Part No.	Type
S6 – Heat resistant up to 120 °C						
	10	5, 10, 15	158665	EMMZ-10-...-P-A-S6	158690	EMMLZ-10-...-P-A-S6
	16	5, 10, 15	158670	EMMZ-16-...-P-A-S6	158695	EMMLZ-16-...-P-A-S6
	20	5, 10, 15	158675	EMMZ-20-...-P-A-S6	158700	EMMLZ-20-...-P-A-S6
	25	5, 10, 15	158680	EMMZ-25-...-P-A-S6 ²⁾	158705	EMMLZ-25-...-P-A-S6 ²⁾
	32	5, 10, 15	158685	EMMZ-32-...-P-A-S6 ²⁾	158710	EMMLZ-32-...-P-A-S6 ²⁾

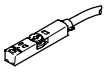
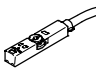
- 1) Additional stroke lengths upon request
- 2) The scope of delivery includes a hexagonal nut for the piston rod thread

Compact cylinders DMM/EMM, Multimount

Accessories

FESTO

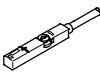
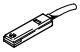

Ordering data – Piston rod attachments				Technical data → Internet: piston-rod attachment			
Designation	For Ø	Part No.	Type	Designation	For Ø	Part No.	Type
Rod eye SGS				Self-aligning rod coupler FK			
	10	9253	SGS-M4		10	6528	FK-M4
	16	9254	SGS-M6		16	2061	FK-M6
	20	9255	SGS-M8		20	2062	FK-M8
	25	9261	SGS-M10x1,25		25	6140	FK-M10x1,25
	32						
Rod clevis SG				Adapter AD			
	10	6532	SG-M4		16	157328	AD-M6-M5
	16	3110	SG-M6			157329	AD-M6-1/8
	20	3111	SG-M8			157330	AD-M6-1/4
	25	6144	SG-M10x1,25		20	157331	AD-M8-1/8
	32				157332	AD-M8-1/4	
				25	157333	AD-M10x1,25-1/8	
				32	157334	AD-M10x1,25-1/4	



Ordering data – Proximity sensors for T-slot, magneto-resistive					Technical data → Internet: smt	
	Type of mounting	Switch output	Electrical connection	Cable length [m]	Part No.	Type
N/O contact						
	Insertable in the slot from above, flush with cylinder profile, short design	PNP	Cable, 3-wire	2.5	574335	SMT-8M-A-PS-24V-E-2,5-OE
			Plug M8x1, 3-pin	0.3	574334	SMT-8M-A-PS-24V-E-0,3-M8D
			Plug M12x1, 3-pin	0.3	574337	SMT-8M-A-PS-24V-E-0,3-M12
		NPN	Cable, 3-wire	2.5	574338	SMT-8M-A-NS-24V-E-2,5-OE
			Plug M8x1, 3-pin	0.3	574339	SMT-8M-A-NS-24V-E-0,3-M8D
N/C contact						
	Insertable in the slot from above, flush with cylinder profile, short design	PNP	Cable, 3-wire	7.5	574340	SMT-8M-A-PO-24V-E-7,5-OE



Compact cylinders DMM/EMM, Multimount

Accessories

FESTO

Ordering data – Proximity sensors for T-slot, magnetic reed						Technical data → Internet: sme	
	Type of mounting	Switch output	Electrical connection	Cable length [m]	Part No.	Type	
N/O contact							
	Insertable in the slot from above, flush with cylinder profile	Contacting	Cable, 3-wire	2.5	543862	SME-8M-DS-24V-K-2,5-OE	
				5.0	543863	SME-8M-DS-24V-K-5,0-OE	
			Plug M8x1, 3-pin	2.5	543872	SME-8M-ZS-24V-K-2,5-OE	
				0.3	543861	SME-8M-DS-24V-K-0,3-M8D	
	Insertable in the slot lengthwise, flush with the cylinder profile	Contacting	Cable, 3-wire	2.5	150855	SME-8-K-LED-24	
				0.3	150857	SME-8-S-LED-24	
N/C contact							
	Insertable in the slot lengthwise, flush with the cylinder profile	Contacting	Cable, 3-wire	7.5	160251	SME-8-O-K-LED-24	

Ordering data – Connecting cables					Technical data → Internet: nebu	
	Electrical connection, left	Electrical connection, right	Cable length [m]	Part No.	Type	
	Straight socket, M8x1, 3-pin	Cable, open end, 3-wire	2.5	541333	NEBU-M8G3-K-2.5-LE3	
			5	541334	NEBU-M8G3-K-5-LE3	
	Straight socket, M12x1, 5-pin	Cable, open end, 3-wire	2.5	541363	NEBU-M12G5-K-2.5-LE3	
			5	541364	NEBU-M12G5-K-5-LE3	
	Angled socket, M8x1, 3-pin	Cable, open end, 3-wire	2.5	541338	NEBU-M8W3-K-2.5-LE3	
			5	541341	NEBU-M8W3-K-5-LE3	
	Angled socket, M12x1, 5-pin	Cable, open end, 3-wire	2.5	541367	NEBU-M12W5-K-2.5-LE3	
			5	541370	NEBU-M12W5-K-5-LE3	

Ordering data – One-way flow control valves					Technical data → Internet: grl				
	Connection		Material	Part No.	Type				
	Thread	For tubing OD							
For exhaust air									
	M3	3	Metal design	175041	GRLA-M3-QS-3				
		M5		3	193137	GRLA-M5-QS-3-D			
				4	193138	GRLA-M5-QS-4-D			
				6	193139	GRLA-M5-QS-6-D			
	G1/8	3		193142	GRLA-1/8-QS-3-D				
		4		193143	GRLA-1/8-QS-4-D				
		6		193144	GRLA-1/8-QS-6-D				
		8		193145	GRLA-1/8-QS-8-D				
		For supply air							
				M3	3	Metal design	175043	GRLZ-M3-QS-3	
M5	3		193153		GRLZ-M5-QS-3-D				
	4		193154		GRLZ-M5-QS-4-D				
	6		193155		GRLZ-M5-QS-6-D				
G1/8	3		193156	GRLZ-1/8-QS-3-D					
	4		193157	GRLZ-1/8-QS-4-D					
	6		193158	GRLZ-1/8-QS-6-D					
	8		193159	GRLZ-1/8-QS-8-D					