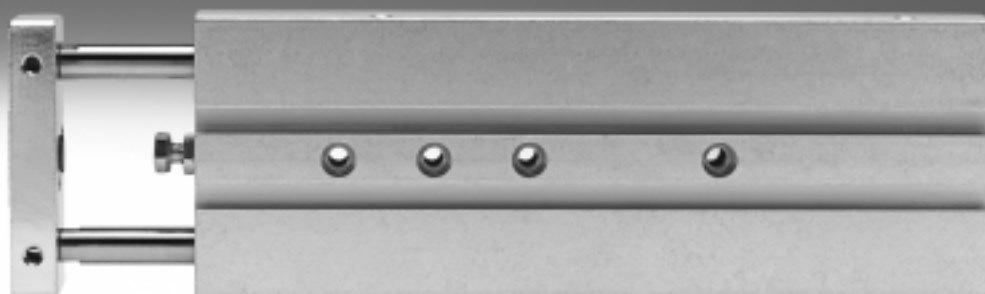


Twin cylinders DPZ/DPZJ

FESTO

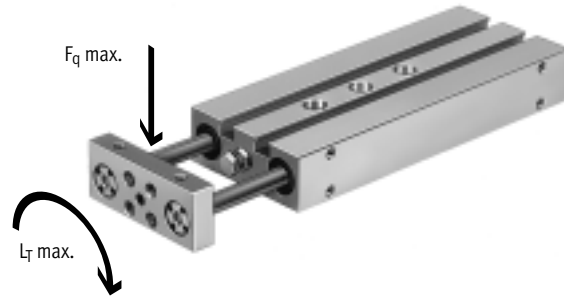


Twin cylinders DPZ/DPZJ

Key features

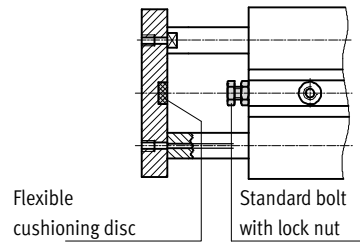
High force with excellent protection against torsion

- 100 to 1,000 N thrust at 6 bar operating pressure
- Load capacity (F_Q) from 8 to 105 N
- Permissible torque load (T_T) centrally acting from 0.1 to 3 Nm
- Widely-spaced piston rods for high load capacity



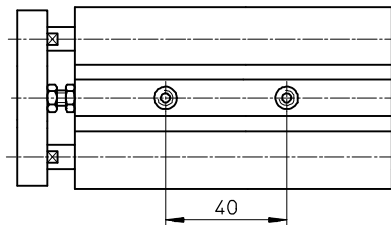
Precision stroke adjustment

- A standard bolt and lock nut allows variation of the standard strokes within a range of 10 mm
- If necessary, a longer bolt can be used



Grid dimension

- 20 and 40 mm to suit profile systems

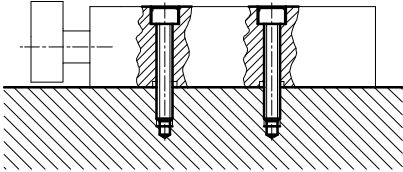


Twin cylinders DPZ/DPZJ

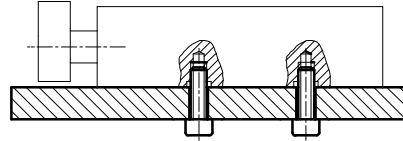
Key features

Mounting options

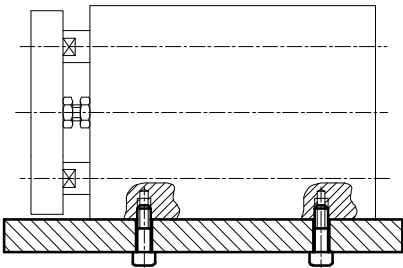
Horizontal mounting from above



Horizontal mounting from below



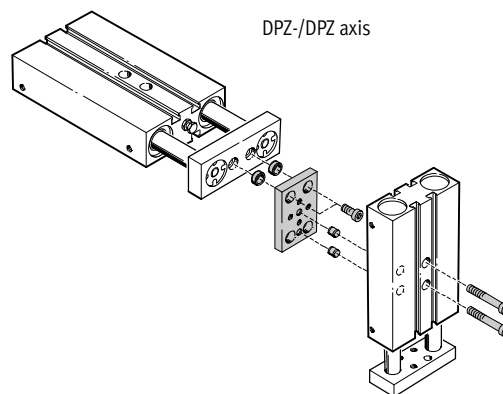
Side mounting from below



Multi-axis and drive combinations

The twin cylinder DPZ/DPZJ can be combined with different drives. An adapter kit is required for mounting between the two drives.

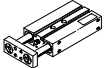
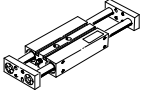
Adapter kits
→ www.festo.com



Twin cylinders DPZ/DPZJ

Product range overview



Function	Version	Type	Piston \varnothing [mm]	Stroke [mm]	Precision end position adjustment	
					Retracted end position	Advanced end position
Double-acting	Basic version					
		DPZ	10	10, 25, 40, 50	■	-
			16, 20, 25, 32	10, 25, 40, 50, 80, 100		
	Through piston rods with additional yoke plate					
	DPZJ for higher lateral forces and precision	10	10, 25, 40, 50	■	■	
		16, 20, 25, 32	10, 25, 40, 50, 80, 100			

Twin cylinders DPZ/DPZJ

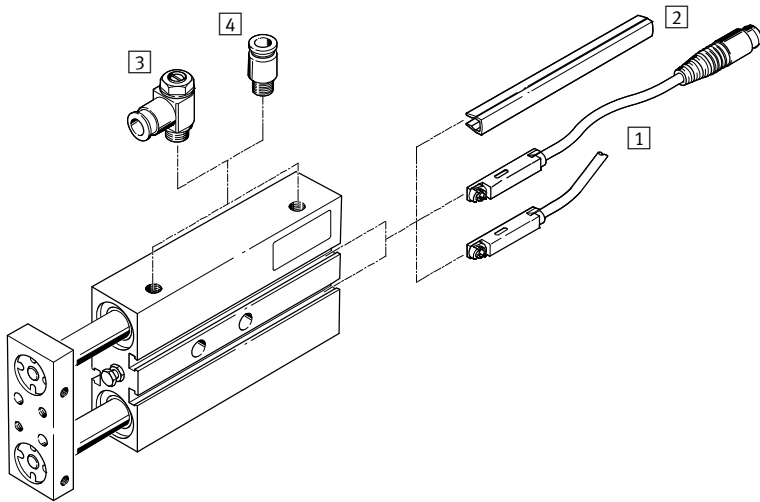
Product range overview

Type	Position sensing	Plain bearing guide	Recirculating ball bearing guide	Through piston rod	→ Page/Internet
	A	GF	KF	S2	
Basic version					
DPZ	■	■	■	■	8
Through piston rods with additional yoke plate					
DPZJ for higher lateral forces and precision	■	■	■	■	8

Twin cylinders DPZ/DPZJ

Peripherals overview

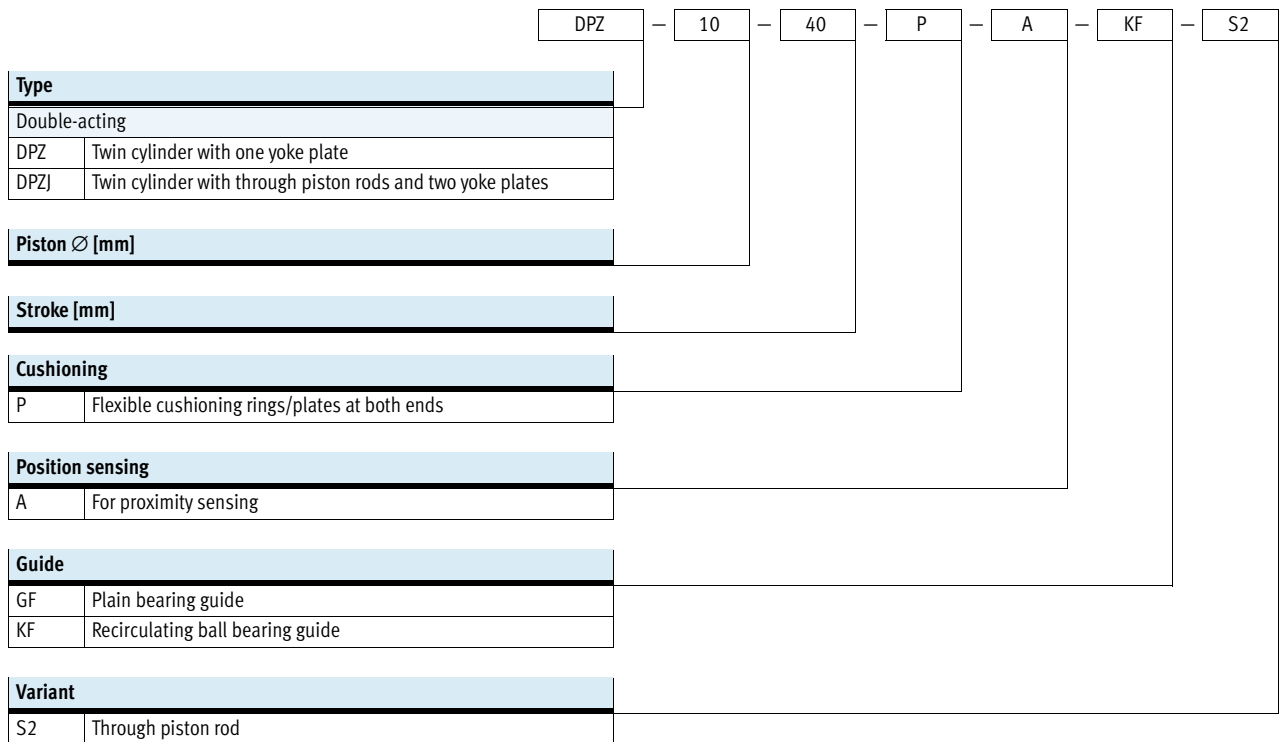
FESTO



Accessories		Description	Piston Ø		→ Page/Internet
			10, 16 mm	20, 25, 32 mm	
1	Proximity sensor SME/SMT-8	Can be integrated in the cylinder profile barrel	■	■	19
2	Slot cover ABP-5-S	To protect the sensor cable and keep dirt out of the sensor slots	■	■	19
3	One-way flow control valve GRLA	To regulate speed	■	■	20
4	Push-in fitting QS	For connecting compressed air tubing with standard O.D.	■	■	qs
-	Centring pin ZBS	4 pieces included in scope of delivery	■	-	20
-	Centring sleeve ZBH	4 pieces included in scope of delivery	-	■	20
-	Adapters	For drive/drive combinations	■	■	21
		For drive/gripper combinations			gripper

Twin cylinders DPZ/DPZJ

Type codes

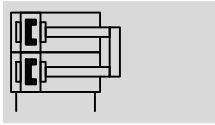


Twin cylinders DPZ/DPZJ

Technical data

FESTO

Function DPZ



- - Diameter
10 ... 32 mm
- - Stroke length
10 ... 100 mm

- - www.festo.com

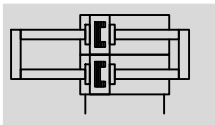
Variants



S2



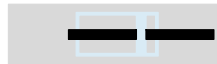
Function DPZJ



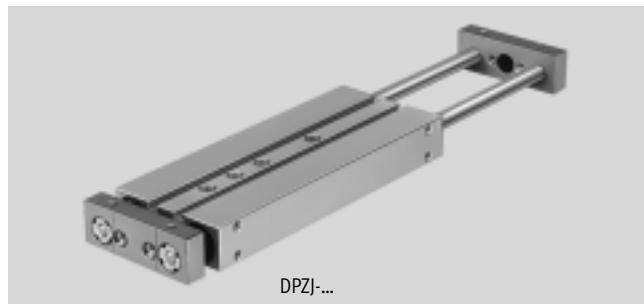
- - Diameter
10 ... 32 mm
- - Stroke length
10 ... 100 mm

- - www.festo.com

Variants



S2



General technical data					
Piston \varnothing	10	16	20	25	32
Pneumatic connection	M5	M5	M5	M5	G $\frac{1}{8}$
Operating medium	Compressed air in accordance with ISO 8573-1:2010 [7:4:4]				
Note on operating/pilot medium	Operation with lubricated medium possible (in which case lubricated operation will always be required)				
Operating pressure [bar]	2.5 ... 10	1 ... 10			
Constructional design	Parallel piston rods with yoke				
	Through parallel piston rods with yoke				
Cushioning	Flexible cushioning rings/plates at both ends				
Position sensing	For proximity sensing				
Type of mounting	Via through-holes				
	With female thread				
	With mounting plate				
Mounting position	Any				
Protection against torsion/guide	Parallel piston rods/with plain-bearing guide or ball bearing guide				

Ambient conditions		
Variant	Plain-bearing guide GF	Recirculating ball bearing guide KF
Ambient temperature ¹⁾ [°C]	-20 ... +80	
Corrosion resistance class CRC ²⁾	2	-

1) Note operating range of proximity sensors.

2) Corrosion resistance class CRC 2 to Festo standard FN 940070

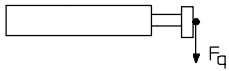
Moderate corrosion stress. Indoor applications in which condensation may occur. External visible parts with primarily decorative requirements for the surface and which are in direct contact with the ambient atmosphere typical for industrial applications.

Twin cylinders DPZ/DPZJ

Technical data

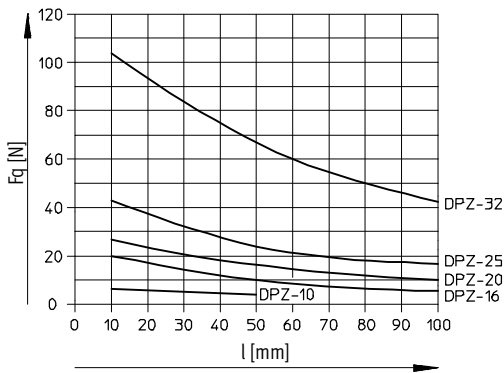
Forces [N] and impact energy [J]						
Piston \varnothing	10	16	20	25	32	
Theoretical force at 6 bar, advancing		94	242	376	590	966
	S2, DPZ	60	180	282	452	724
Theoretical force at 6 bar, retracting		60	180	282	452	724
	S2, DPZ	60	180	282	452	724
Max. impact energy at end positions	0.08	0.15	0.2	0.3	0.5	

Permissible lateral force F_q as a function of stroke l

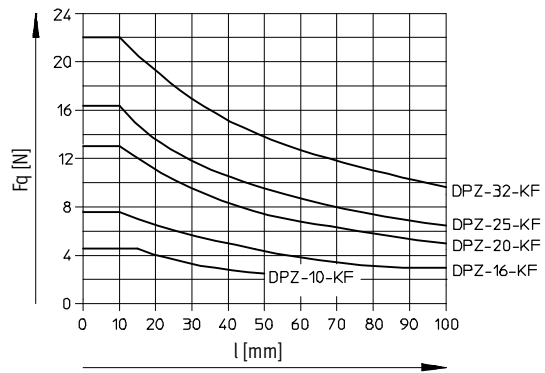


Piston rods at one end

Plain-bearing guide GF

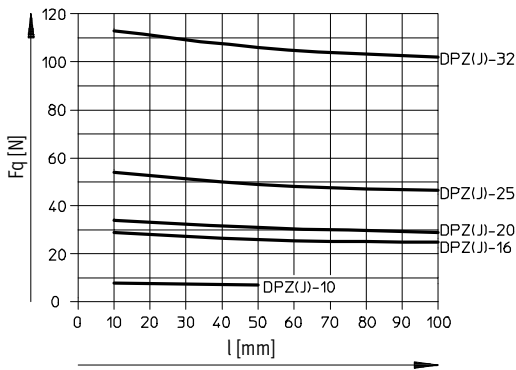


Recirculating ball bearing guide KF

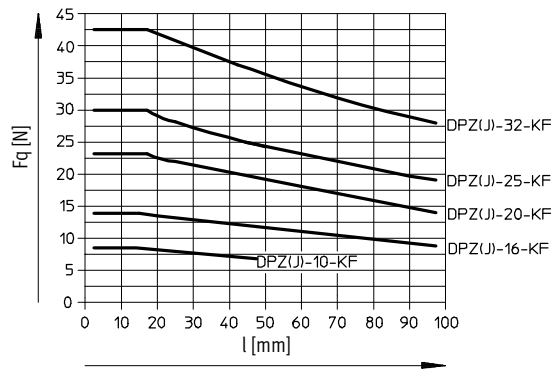


Through piston rods

Plain-bearing guide GF



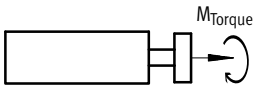
Recirculating ball bearing guide KF



Twin cylinders DPZ/DPZJ

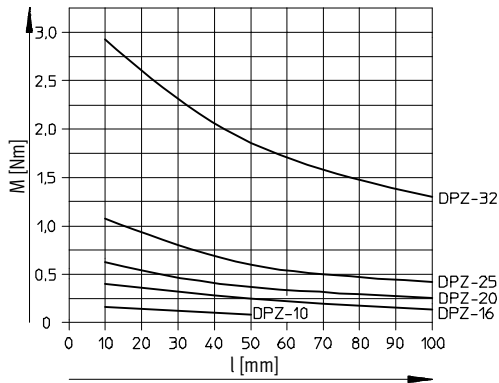
Technical data

Permissible torque M as a function of stroke l

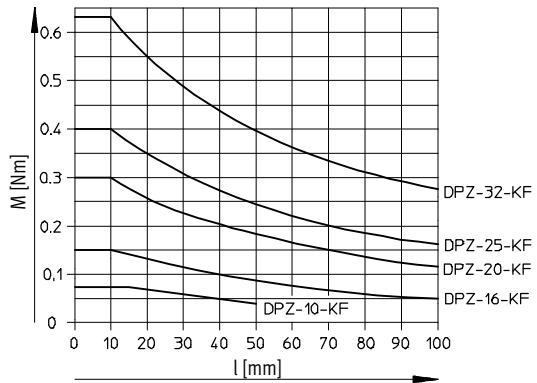


Piston rods at one end

Plain-bearing guide GF

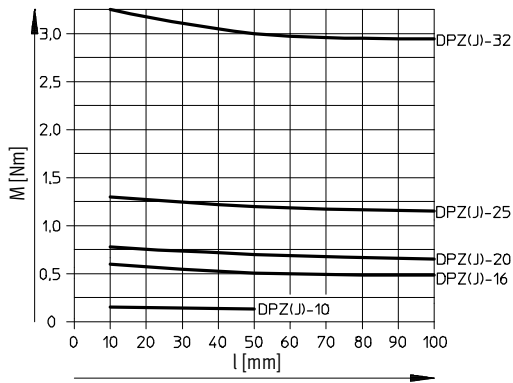


Recirculating ball bearing guide KF

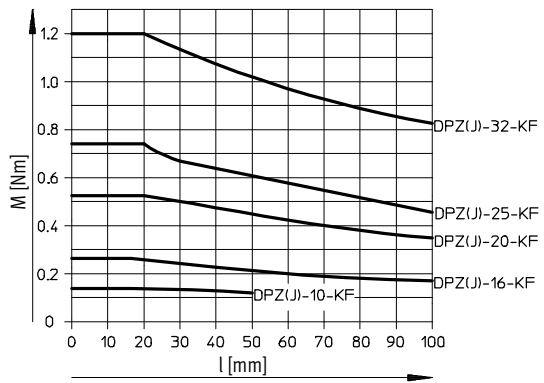


Through piston rods

Plain-bearing guide GF



Recirculating ball bearing guide KF



Twin cylinders DPZ/DPZJ

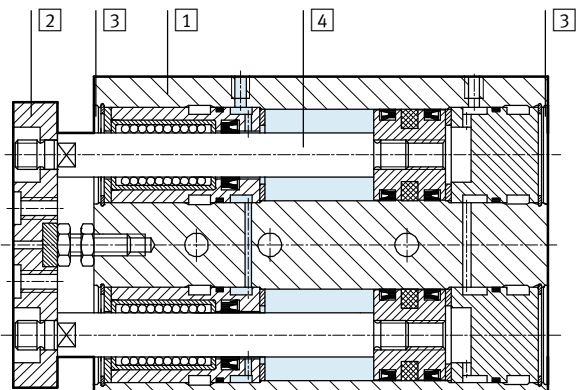
Technical data

DPZ with plain-bearing guide GF					
Stroke [mm]	Piston Ø [mm]				
	10	16	20	25	32
Weight [g]					
0	234	389	568	838	1,389
10	257	416	607	891	1,473
25	291	456	666	971	1,598
40	325	496	725	1,052	1,723
50	348	523	764	1,105	1,806
80	417	603	882	1,265	2,057
100	463	657	960	1,372	2,223

DPZ with recirculating ball bearing guide KF					
Stroke [mm]	Piston Ø [mm]				
	10	16	20	25	32
Weight [g]					
0	243	368	522	742	1,200
10	266	395	561	795	1,283
25	300	435	620	875	1,408
40	334	475	679	955	1,533
50	357	502	718	1,009	1,617
80	426	582	836	1,169	1,867
100	472	636	914	1,276	2,034

Materials

Sectional view



Twin cylinders		
1	Housing	Wrought aluminium alloy
2	Yoke plate	Tempered steel
3	Plug cap	Wrought aluminium alloy
4	Piston rod	GF High-alloy stainless steel
		KF Tempered steel
-	Seals	Polyurethane, nitrile rubber

Twin cylinders DPZ/DPZJ

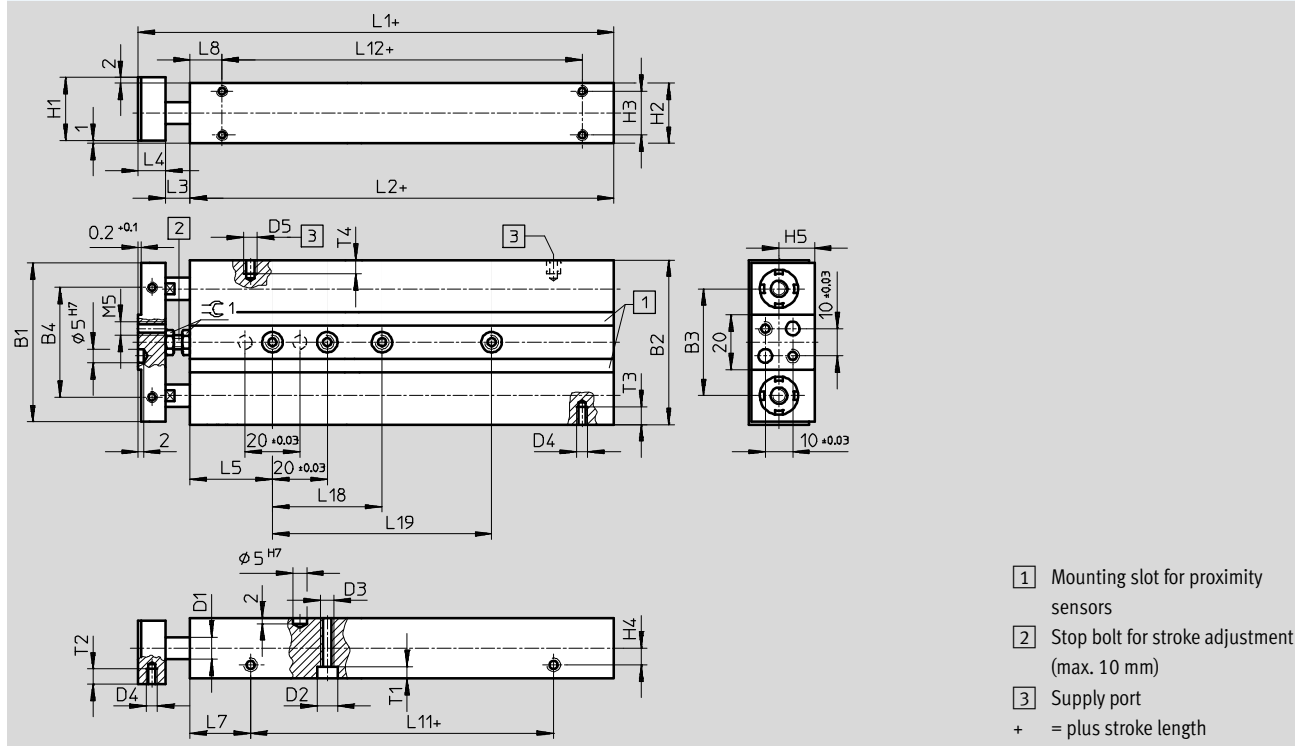
Technical data

FESTO

Dimensions – Basic cylinders

Download CAD data → www.festo.com

Piston \varnothing 10, 16 mm



\varnothing [mm]	B1	B2	B3	B4	D1 \varnothing	D2 \varnothing	D3 \varnothing	D4	D5	H1	H2	H3	H4	H5	L1		L2	
															GF	KF	GF	KF
10	48	50	33	28	6	7.5	M5	M4	M5	20	19	13	4.5	11.5	89.6	100	71.6	82
16	58	60	39	40	8	7.5	M5	M4	M5	23	22	16	6	13	93.6	107	74.6	88

\varnothing [mm]	L3	L4	L5	L7		L8		L11		L12 ± 0.2		T1	T2	T3	T4	$\approx C1$							
																	GF	KF	GF	KF	GF	KF	GF
10	8	10	30	23.4	40.7	13.1	30.8	24.8	24.4	45.4	44.2	4.4	6	5	5	7							
16	9	10	30	22	38.9	11.6	25.5	30.6	30.6	51.4	54.4	4.4	5.5	6.5	5	8							

Stroke [mm]	L18 ± 0.03	L19 ± 0.03
10	–	–
25	–	–
40	–	–
50	40	–
80	40	80
100	40	80

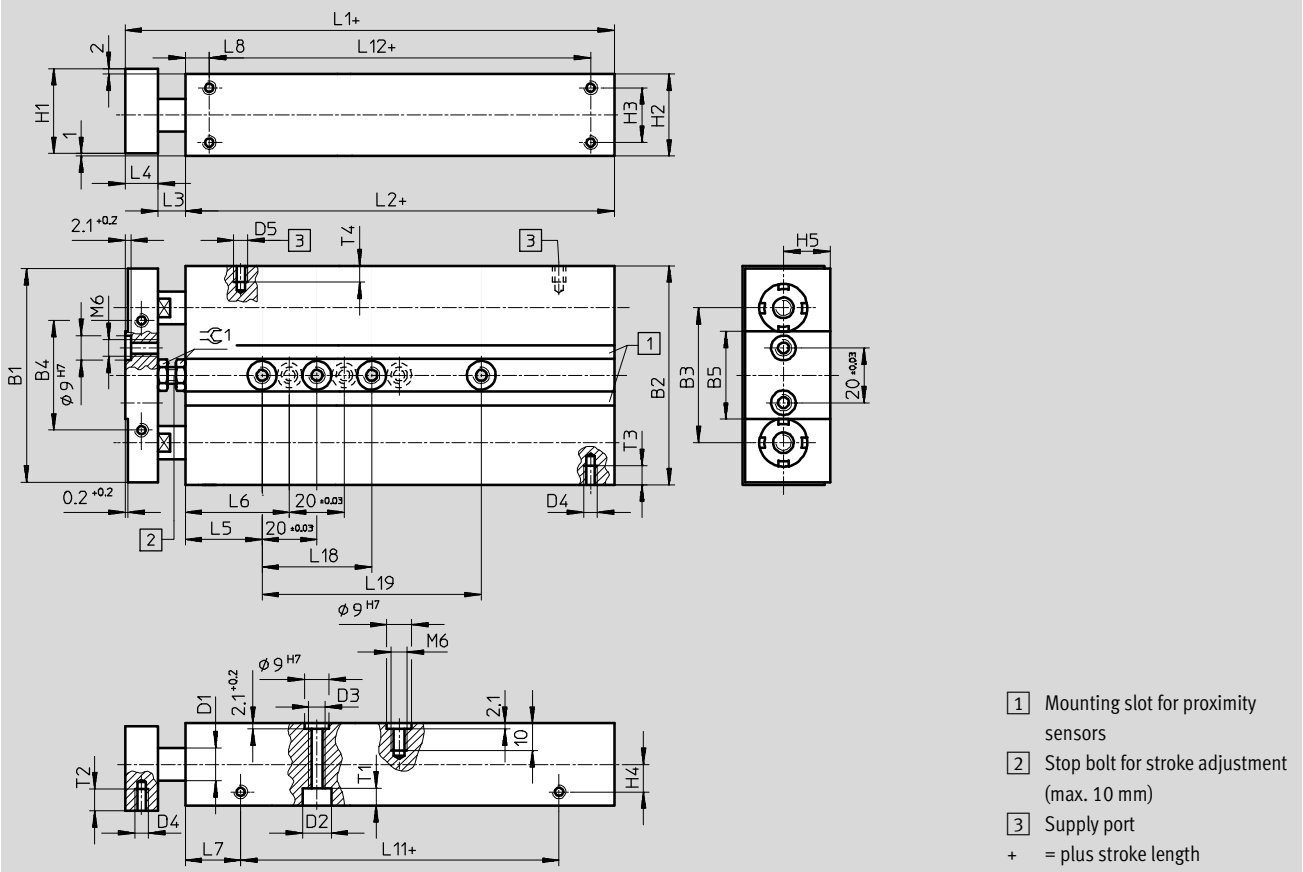
Twin cylinders DPZ/DPZJ

Technical data

Dimensions – Basic cylinders

Download CAD data → www.festo.com

Piston \varnothing 20, 25, 32 mm



\varnothing	B1	B2	B3	B4	B5	D1 \varnothing	D2 \varnothing	D3 \varnothing	D4	D5	H1	H2	H3	H4	H5	L1		L2	
																GF	KF	GF	KF
20	70	72	45.6	40	32	10	9	M6	M5	M5	25	24	16	7	14	98.6	115	76.6	93
25	78	80	49.2	40	32	12	10.5	6.4	M5	M5	31	30	20	10	17	98.6	116	76.6	94
32	96	98	57	40	35	16	10.5	6.4	M6	G $\frac{3}{8}$	39	38	26	11.5	21	110.1	130	80.1	100

\varnothing	L3	L4	L5	L6	L7		L8		L11		L12 ± 0.2		T1	T2	T3	T4	$\approx \text{C1}$
					GF	KF	GF	KF	GF	KF	GF	KF					
20	10	12	30	-	22.8	43.4	12.9	33.5	31	30.7	50.8	50.5	5.4	6.5	7	6	10
25	10	12	28	38	20.2	40	8.7	28.8	36.2	33.8	59.2	56.5	6.4	8	7	6	10
32	15	15	35	45	25	44.9	10	26	30.1	30.1	60.1	64	6.4	8	9	9	10

Stroke	L18 ± 0.03	L19 ± 0.03
10	-	-
25	-	-
40	-	-
50	40	-
80	40	80
100	40	80

Twin cylinders DPZ/DPZJ

Technical data

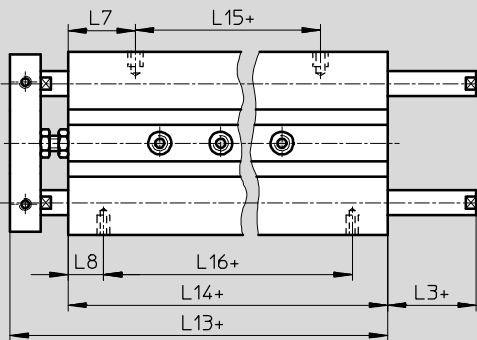


Dimensions – Variants DPZ

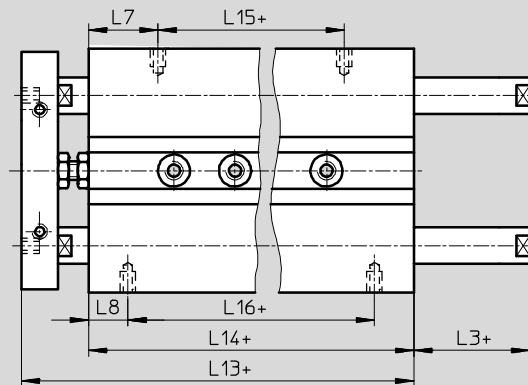
Download CAD data → www.festo.com

S2 – Through piston rods

∅ 10, 16 mm



∅ 20, 25, 32 mm



+ = plus stroke length

∅ [mm]	L3	L7		L8		L13		L14		L15		L16 ±0.2	
		GF	KF	GF	KF	GF	KF	GF	KF	GF	KF	GF	KF
10	8	23.4	40.7	13.1	30.8	89.6	124	71.6	106	24.8	24.7	45.4	44.4
16	9	22	38.9	11.6	25.5	93.6	127.4	74.6	108.4	30.6	30.6	51.4	57.4
20	10	22.8	43.4	12.9	33.5	98.6	139.2	76.6	117.2	31	30.4	50.8	50.2
25	10	20.2	40	8.7	28.8	98.6	135	76.6	113	36.2	33	59.2	55.4
32	15	25	44.9	10	26	110.1	149.9	80.1	119.9	30.1	30.1	60.1	67.9

Twin cylinders DPZ/DPZJ

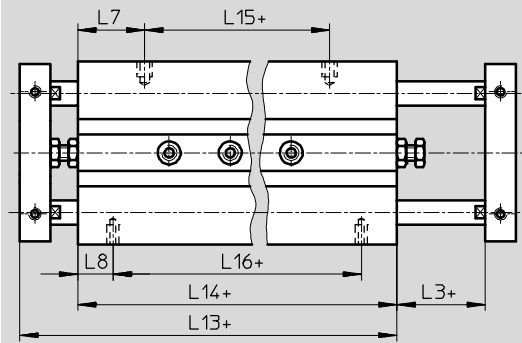
Technical data

Dimensions – Variants DPZJ

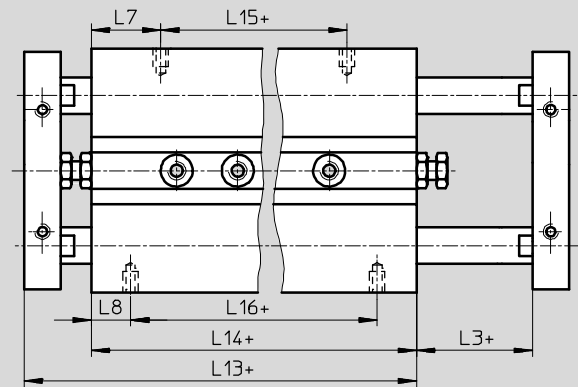
Download CAD data → www.festo.com

S2 – Through piston rods

Ø 10, 16 mm



Ø 20, 25, 32 mm




+ = plus stroke length

Ø [mm]	L3	L7		L8		L13		L14		L15		L16 ±0.2	
		GF	KF	GF	KF	GF	KF	GF	KF	GF	KF	GF	KF
10	8	23.4	40.7	13.1	30.8	89.6	124	71.6	106	24.8	24.7	45.4	44.4
16	9	22	38.9	11.6	25.5	93.6	127.4	74.6	108.4	30.6	30.6	51.4	57.4
20	10	22.8	43.4	12.9	33.5	98.6	139.2	76.6	117.2	31	30.4	50.8	50.2
25	10	20.2	40	8.7	28.8	98.6	135	76.6	113	36.2	33	59.2	55.4
32	15	25	44.9	10	26	110.1	149.9	80.1	119.9	30.1	30.1	60.1	67.9

Twin cylinders DPZ/DPZJ


Technical data

Ordering data – Basic version DPZ						
Type	Piston Ø [mm]	Stroke [mm]	Plain-bearing guide GF		Recirculating ball bearing guide KF	
			Part No.	Type ¹⁾	Part No.	Type ¹⁾
	10	10	32681	DPZ-10-10-P-A	162001	DPZ-10-10-P-A-KF
		25	32682	DPZ-10-25-P-A	162002	DPZ-10-25-P-A-KF
		40	32683	DPZ-10-40-P-A	162003	DPZ-10-40-P-A-KF
		50	32684	DPZ-10-50-P-A	162004	DPZ-10-50-P-A-KF
	16	10	32686	DPZ-16-10-P-A	162026	DPZ-16-10-P-A-KF
		25	32687	DPZ-16-25-P-A	162027	DPZ-16-25-P-A-KF
		40	32688	DPZ-16-40-P-A	162028	DPZ-16-40-P-A-KF
		50	32689	DPZ-16-50-P-A	162029	DPZ-16-50-P-A-KF
		80	32690	DPZ-16-80-P-A	162030	DPZ-16-80-P-A-KF
		100	32691	DPZ-16-100-P-A	162031	DPZ-16-100-P-A-KF
	20	10	32693	DPZ-20-10-P-A	162061	DPZ-20-10-P-A-KF
		25	32694	DPZ-20-25-P-A	162062	DPZ-20-25-P-A-KF
		40	32695	DPZ-20-40-P-A	162063	DPZ-20-40-P-A-KF
		50	32696	DPZ-20-50-P-A	162064	DPZ-20-50-P-A-KF
		80	32697	DPZ-20-80-P-A	162065	DPZ-20-80-P-A-KF
		100	32698	DPZ-20-100-P-A	162066	DPZ-20-100-P-A-KF
	25	10	32700	DPZ-25-10-P-A	162096	DPZ-25-10-P-A-KF
		25	32701	DPZ-25-25-P-A	162097	DPZ-25-25-P-A-KF
		40	32702	DPZ-25-40-P-A	162098	DPZ-25-40-P-A-KF
		50	32703	DPZ-25-50-P-A	162099	DPZ-25-50-P-A-KF
		80	32704	DPZ-25-80-P-A	162100	DPZ-25-80-P-A-KF
		100	32705	DPZ-25-100-P-A	162101	DPZ-25-100-P-A-KF
	32	10	159817	DPZ-32-10-P-A	162131	DPZ-32-10-P-A-KF
		25	159818	DPZ-32-25-P-A	162132	DPZ-32-25-P-A-KF
		40	159819	DPZ-32-40-P-A	162133	DPZ-32-40-P-A-KF
		50	159820	DPZ-32-50-P-A	162134	DPZ-32-50-P-A-KF
		80	159821	DPZ-32-80-P-A	162135	DPZ-32-80-P-A-KF
		100	159822	DPZ-32-100-P-A	162136	DPZ-32-100-P-A-KF

1) 4 centring pins or sleeves are included in the scope of delivery.

Twin cylinders DPZ/DPZJ


Technical data

Ordering data – Variants DPZ						
Type	Piston Ø [mm]	Stroke [mm]	Plain-bearing guide GF		Recirculating ball bearing guide KF	
			Part No.	Type ¹⁾	Part No.	Type ¹⁾
S2 – Through piston rods						
	10	10	159862	DPZ-10-10-P-A-S2	162006	DPZ-10-10-P-A-KF-S2
		25	159863	DPZ-10-25-P-A-S2	162007	DPZ-10-25-P-A-KF-S2
		40	159864	DPZ-10-40-P-A-S2	162008	DPZ-10-40-P-A-KF-S2
		50	159865	DPZ-10-50-P-A-S2	162009	DPZ-10-50-P-A-KF-S2
	16	10	159867	DPZ-16-10-P-A-S2	162033	DPZ-16-10-P-A-KF-S2
		25	159868	DPZ-16-25-P-A-S2	162034	DPZ-16-25-P-A-KF-S2
		40	159869	DPZ-16-40-P-A-S2	162035	DPZ-16-40-P-A-KF-S2
		50	159870	DPZ-16-50-P-A-S2	162036	DPZ-16-50-P-A-KF-S2
		80	159871	DPZ-16-80-P-A-S2	162037	DPZ-16-80-P-A-KF-S2
		100	159872	DPZ-16-100-P-A-S2	162038	DPZ-16-100-P-A-KF-S2
	20	10	159874	DPZ-20-10-P-A-S2	162068	DPZ-20-10-P-A-KF-S2
		25	159875	DPZ-20-25-P-A-S2	162069	DPZ-20-25-P-A-KF-S2
		40	159876	DPZ-20-40-P-A-S2	162070	DPZ-20-40-P-A-KF-S2
		50	159877	DPZ-20-50-P-A-S2	162071	DPZ-20-50-P-A-KF-S2
		80	159878	DPZ-20-80-P-A-S2	162072	DPZ-20-80-P-A-KF-S2
		100	159879	DPZ-20-100-P-A-S2	162073	DPZ-20-100-P-A-KF-S2
	25	10	159881	DPZ-25-10-P-A-S2	162103	DPZ-25-10-P-A-KF-S2
		25	159882	DPZ-25-25-P-A-S2	162104	DPZ-25-25-P-A-KF-S2
		40	159883	DPZ-25-40-P-A-S2	162105	DPZ-25-40-P-A-KF-S2
		50	159884	DPZ-25-50-P-A-S2	162106	DPZ-25-50-P-A-KF-S2
80		159885	DPZ-25-80-P-A-S2	162107	DPZ-25-80-P-A-KF-S2	
100		159886	DPZ-25-100-P-A-S2	162108	DPZ-25-100-P-A-KF-S2	
32	10	159891	DPZ-32-10-P-A-S2	162138	DPZ-32-10-P-A-KF-S2	
	25	159892	DPZ-32-25-P-A-S2	162139	DPZ-32-25-P-A-KF-S2	
	40	159893	DPZ-32-40-P-A-S2	162140	DPZ-32-40-P-A-KF-S2	
	50	159894	DPZ-32-50-P-A-S2	162141	DPZ-32-50-P-A-KF-S2	
	80	159895	DPZ-32-80-P-A-S2	162142	DPZ-32-80-P-A-KF-S2	
	100	159896	DPZ-32-100-P-A-S2	162143	DPZ-32-100-P-A-KF-S2	

1) 4 centring pins or sleeves are included in the scope of delivery.

Twin cylinders DPZ/DPZJ

Technical data

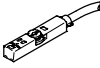
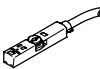
Ordering data – Variants DPZJ with additional yoke						
Type	Piston Ø [mm]	Stroke [mm]	Plain-bearing guide GF		Recirculating ball bearing guide KF	
			Part No.	Type ¹⁾	Part No.	Type ¹⁾
S2 – Through piston rods						
	10	10	159940	DPZJ-10-10-P-A-S2	162016	DPZJ-10-10-P-A-KF-S2
		25	159941	DPZJ-10-25-P-A-S2	162017	DPZJ-10-25-P-A-KF-S2
		40	159942	DPZJ-10-40-P-A-S2	162018	DPZJ-10-40-P-A-KF-S2
		50	159943	DPZJ-10-50-P-A-S2	162019	DPZJ-10-50-P-A-KF-S2
	16	10	159945	DPZJ-16-10-P-A-S2	162047	DPZJ-16-10-P-A-KF-S2
		25	159946	DPZJ-16-25-P-A-S2	162048	DPZJ-16-25-P-A-KF-S2
		40	159947	DPZJ-16-40-P-A-S2	162049	DPZJ-16-40-P-A-KF-S2
		50	159948	DPZJ-16-50-P-A-S2	162050	DPZJ-16-50-P-A-KF-S2
		80	159949	DPZJ-16-80-P-A-S2	162051	DPZJ-16-80-P-A-KF-S2
		100	159950	DPZJ-16-100-P-A-S2	162052	DPZJ-16-100-P-A-KF-S2
	20	10	159952	DPZJ-20-10-P-A-S2	162082	DPZJ-20-10-P-A-KF-S2
		25	159953	DPZJ-20-25-P-A-S2	162083	DPZJ-20-25-P-A-KF-S2
		40	159954	DPZJ-20-40-P-A-S2	162084	DPZJ-20-40-P-A-KF-S2
		50	159955	DPZJ-20-50-P-A-S2	162085	DPZJ-20-50-P-A-KF-S2
		80	159956	DPZJ-20-80-P-A-S2	162086	DPZJ-20-80-P-A-KF-S2
		100	159957	DPZJ-20-100-P-A-S2	162087	DPZJ-20-100-P-A-KF-S2
	25	10	159959	DPZJ-25-10-P-A-S2	162117	DPZJ-25-10-P-A-KF-S2
		25	159960	DPZJ-25-25-P-A-S2	162118	DPZJ-25-25-P-A-KF-S2
		40	159961	DPZJ-25-40-P-A-S2	162119	DPZJ-25-40-P-A-KF-S2
		50	159962	DPZJ-25-50-P-A-S2	162120	DPZJ-25-50-P-A-KF-S2
		80	159963	DPZJ-25-80-P-A-S2	162121	DPZJ-25-80-P-A-KF-S2
		100	159964	DPZJ-25-100-P-A-S2	162122	DPZJ-25-100-P-A-KF-S2
	32	10	159969	DPZJ-32-10-P-A-S2	162152	DPZJ-32-10-P-A-KF-S2
		25	159970	DPZJ-32-25-P-A-S2	162153	DPZJ-32-25-P-A-KF-S2
40		159971	DPZJ-32-40-P-A-S2	162154	DPZJ-32-40-P-A-KF-S2	
50		159972	DPZJ-32-50-P-A-S2	162155	DPZJ-32-50-P-A-KF-S2	
80		159973	DPZJ-32-80-P-A-S2	162156	DPZJ-32-80-P-A-KF-S2	
100		159974	DPZJ-32-100-P-A-S2	162157	DPZJ-32-100-P-A-KF-S2	

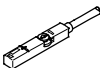


1) 4 centring pins or sleeves are included in the scope of delivery.



Twin cylinders DPZ/DPZJ

Accessories

FESTO

Ordering data – Proximity sensors for T-slot, magneto-resistive						Technical data → Internet: smt	
	Type of mounting	Switch output	Electrical connection	Cable length [m]	Part No.	Type	
N/O contact							
	Insertable in the slot from above, flush with cylinder profile, short design	PNP	Cable, 3-wire	2.5	574335	SMT-8M-A-PS-24V-E-2,5-OE	
			Plug M8x1, 3-pin	0.3	574334	SMT-8M-A-PS-24V-E-0,3-M8D	
			Plug M12x1, 3-pin	0.3	574337	SMT-8M-A-PS-24V-E-0,3-M12	
		NPN	Cable, 3-wire	2.5	574338	SMT-8M-A-NS-24V-E-2,5-OE	
			Plug M8x1, 3-pin	0.3	574339	SMT-8M-A-NS-24V-E-0,3-M8D	
N/C contact							
	Insertable in the slot from above, flush with cylinder profile, short design	PNP	Cable, 3-wire	7.5	574340	SMT-8M-A-PO-24V-E-7,5-OE	

Ordering data – Proximity sensors for T-slot, magnetic reed						Technical data → Internet: sme		
	Type of mounting	Switch output	Electrical connection	Cable length [m]	Part No.	Type		
N/O contact								
	Insertable in the slot from above, flush with cylinder profile	Contacting	Cable, 3-wire	2.5	543862	SME-8M-DS-24V-K-2,5-OE		
				5.0	543863	SME-8M-DS-24V-K-5,0-OE		
			Plug M8x1, 3-pin	Cable, 2-wire	2.5	543872	SME-8M-ZS-24V-K-2,5-OE	
				0.3	543861	SME-8M-DS-24V-K-0,3-M8D		
	Insertable in the slot lengthwise, flush with the cylinder profile	Contacting	Cable, 3-wire	2.5	150855	SME-8-K-LED-24		
			Plug M8x1, 3-pin	0.3	150857	SME-8-S-LED-24		
N/C contact								
	Insertable in the slot lengthwise, flush with the cylinder profile	Contacting	Cable, 3-wire	7.5	160251	SME-8-0-K-LED-24		


Ordering data – Connecting cables					Technical data → Internet: nebu	
	Electrical connection, left	Electrical connection, right	Cable length [m]	Part No.	Type	
	Straight socket, M8x1, 3-pin	Cable, open end, 3-wire	2.5	541333	NEBU-M8G3-K-2.5-LE3	
			5	541334	NEBU-M8G3-K-5-LE3	
	Straight socket, M12x1, 5-pin	Cable, open end, 3-wire	2.5	541363	NEBU-M12G5-K-2.5-LE3	
			5	541364	NEBU-M12G5-K-5-LE3	
	Angled socket, M8x1, 3-pin	Cable, open end, 3-wire	2.5	541338	NEBU-M8W3-K-2.5-LE3	
			5	541341	NEBU-M8W3-K-5-LE3	
	Angled socket, M12x1, 5-pin	Cable, open end, 3-wire	2.5	541367	NEBU-M12W5-K-2.5-LE3	
			5	541370	NEBU-M12W5-K-5-LE3	




Ordering data – Slot cover for T-slot				
	Mounting	Length	Part No.	Type
	Insertable from above	2x 0.5 m	151680	ABP-5-S

Twin cylinders DPZ/DPZJ

Technical data

FESTO

Ordering data – One-way flow control valves			Technical data → Internet: grla		
	Connection		Material	Part No.	Type
	Thread	For tubing O.D.			
	M5	3	Metal design	193137	GRLA-M5-QS-3-D
		4		193138	GRLA-M5-QS-4-D
		6		193139	GRLA-M5-QS-6-D
	G $\frac{1}{8}$	3		193142	GRLA-$\frac{1}{8}$-QS-3-D
		4		193143	GRLA-$\frac{1}{8}$-QS-4-D
		6		193144	GRLA-$\frac{1}{8}$-QS-6-D
		8		193145	GRLA-$\frac{1}{8}$-QS-8-D

Ordering data – Accessories				Technical data → Internet: zbs	
	For \varnothing [mm]	Material	Part No.	Type	PE ¹⁾
Centring pin ZBS					
	10, 16	Stainless steel Free of copper and PTFE	150928	ZBS-5	10
Centring sleeve ZBH					
	20, 25, 30	Stainless steel Free of copper and PTFE	150927	ZBH-9	10


1) Packaging unit quantity

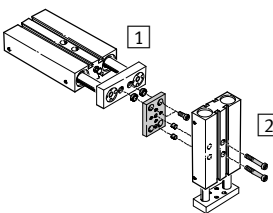
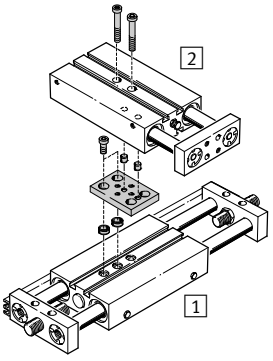
Twin cylinders DPZ/DPZJ

Accessories

**Adapter kit
BPL**

Material:
Wrought aluminium alloy
Free of copper and PTFE
RoHS-compliant

 Note
The kit includes the individual mounting interface as well as the necessary mounting material.

Permissible drive/drive combinations with adapter kit				Download CAD data → www.festo.com	
Combination	[1] Drive	[2] Drive	Adapter kit		
	Size	Size	CRC ¹⁾	Part No.	Type
	DPZ	DPZ	BPL		
	20, 25, 32	10, 16	2	150929	BPL-1
	20, 25, 32	20		150930	BPL-2
	25, 32	25		150931	BPL-3
	32	32		150931	BPL-3
	SPZ	DPZ	BPL		
	20, 25, 32	10, 16	2	150929	BPL-1
	20, 25, 32	20		150930	BPL-2
	25, 32	25		150931	BPL-3
	32	32		150931	BPL-3

1) Corrosion resistance class CRC 2 to Festo standard FN 940070
Moderate corrosion stress. Indoor applications in which condensation may occur. External visible parts with primarily decorative requirements for the surface and which are in direct contact with the ambient atmosphere typical for industrial applications.